

Thank you

Thank you for your interest in Link® Lifiable Suspensions, the most user-friendly lift axles in the industry. Link engineering has designed many unique features with the installer and customer in mind. We hope you will find this Sales & Service Guide easy to use. You can also access information on our website, www.linkmfg.com or contact Link Customer Service at **1-800-222-6283** for any questions you may have.

This Sales & Service Guide is organized for quick reference to answer your questions. On **page 2**, you will find the basic information needed to order your specific suspension depending upon the capacity and steering capability that fits your needs.

Link offers non-steer liftable suspensions in 13K, 17K, and 20K capacities. The **DuraMax** is a 20K non-steer suited for tag or pusher positions. The **Model 5500** is designed with a higher lift capability best suited for a tag position in applications on uneven terrain, and is rated at 13.2K and 17K capacities.

Link offers self-steer liftable suspensions in 8K, 13.5K, and 20K capacities. The **DuraLift II** model is available in 8K and 20K capacities. The **SS-135** model is rated at 13.5K. All 3 suspensions feature light weight fabricated axles.

The DuraMax, Model 5500, DuraLift II and SS-135 models all incorporate Link's patented interchangeable ride height bracket kits. These allow the dealer to limit his inventory and yet have what he needs to satisfy any customers' needs. This feature also makes installation easier.

Link still offers the Model 6000 suspension only. When used with a customer supplied I-beam axle it becomes a less expensive alternative for either a self-steer or non-steer lift axle.

Link Manufacturing is your #1 source for all your Lifiable Suspension needs!

ORDERING INFORMATION

To expedite the quoting and ordering process, you will need the following information about the specific application you are working with:

1. **LOCATION**
Pusher (ahead of drive axle)
Tag (behind drive axle)
2. **TYPE**
Non-Steer
Self-Steer
3. **CAPACITY**
8K
13.5K
17K
20K
4. **DRIVE AXLE SPECS**
Mechanical or Air Suspension
Single or Tandem Axle
5. **LOADED FRAME HEIGHT** (bottom of frame to level ground)
6. **FRAME WIDTH**
7. **LOADED TIRE RADIUS** (refer to chart on page 4)
8. **RIDE HEIGHT** (loaded frame height minus loaded tire radius)
9. **WHEEL END TYPE**
Hub pilot
Stud pilot
Cast spoke
10. **SINGLE TIRE OR DUALS** (on liftable suspension)
11. **WHEEL TYPE**
Steel
Aluminum

To order the following:

DURALIFT II - 8K self-steer axle	Page 10
SS-135 - 13.5K self-steer axle	Page 14
DURALIFT II - 20K self-steer axle	Page 20
DURAMAX - 20K non-steer axle	Page 26
MODEL 5500 - 13K, 17K non-steer axle	Page 32

Find **Air Control System Options** and **Special Equipment** in the "Optional Equipment" section (page 35)

SPEC'ING

	<u>PAGE</u>
Determine the Loaded Tire Radius.....	4
Weight Distribution	5-6
Air Volume Charts.....	7

Link offers an easy-to-use **Weight Distribution Program** on a CD at no charge for our customers. This program includes:

- *Standard weight distribution*
- *Bridge axle weight distribution*
- *Tractor trailer weight distribution*
- *Calculation of truck air volume requirements*
- *Federal weight table*

Call your Link Sales Representative for a free copy, 1-800-222-6283.



LOADED TIRE RADIUS

For calculating the mounting height of Link Lifiable Suspensions.

SPEC'ING

SELF-STEER
LIFT AXLES

NON-STEER
LIFT AXLES

OPTIONAL
EQUIPMENT

SERVICE
PARTS

TUBE TYPE	TUBELESS	ISO (METRIC)	LOADED TIRE RADIUS	DIAMETER
7.50R15		215/75R17.5	14	30.2
8.25R15	8.5R17.5	225/70R19.5	15	32.9
	9R17.5	245/70R19.5	15.5	33.1
	10R17.5		15.5	33.9
	8R19.5		16	34
10.00R15			16.5	35.8
7.50R20	8R22.5	255/70R22.5	17	36.5
	11R17.5	245/75R22.5	17	36.6
8.25R20	9R22.5	235/80R22.5	17.5	37.8
		255/75R22.5	17.5	37.7
		255/80R22.5	18	38.4
		265/75R22.5	18	38.2
		295/70R22.5	18.2	38.7
9.00R20	10R22.5	295/75R22.5	18.5	40.2
		275/80R22.5	19	40.4
	11R22.5	295/80R22.5	19.5	41.9
10.00R20		445/65R19.5	19.5	42.6
		285/75R24.5	19.5	42.7
		315/80R22.5	19.9	42.8
		385/65R22.5	19.5	42.3
		275/80R24.5	19.5	41.3
11.00R20	12R22.5		20	42.8
10.00R22	13R22.5	425/65R22.5	20.5	44.5
12.00R20	11R24.5		20.5	44
11.00R22	12R24.5	445/65R22.5	21	45
12.00R22			21.5	46
13.00R20	13R24.5		21.5	46.3
11.00R24			22	47.6
12.00R24			23	49.4

WEIGHT DISTRIBUTION CALCULATION

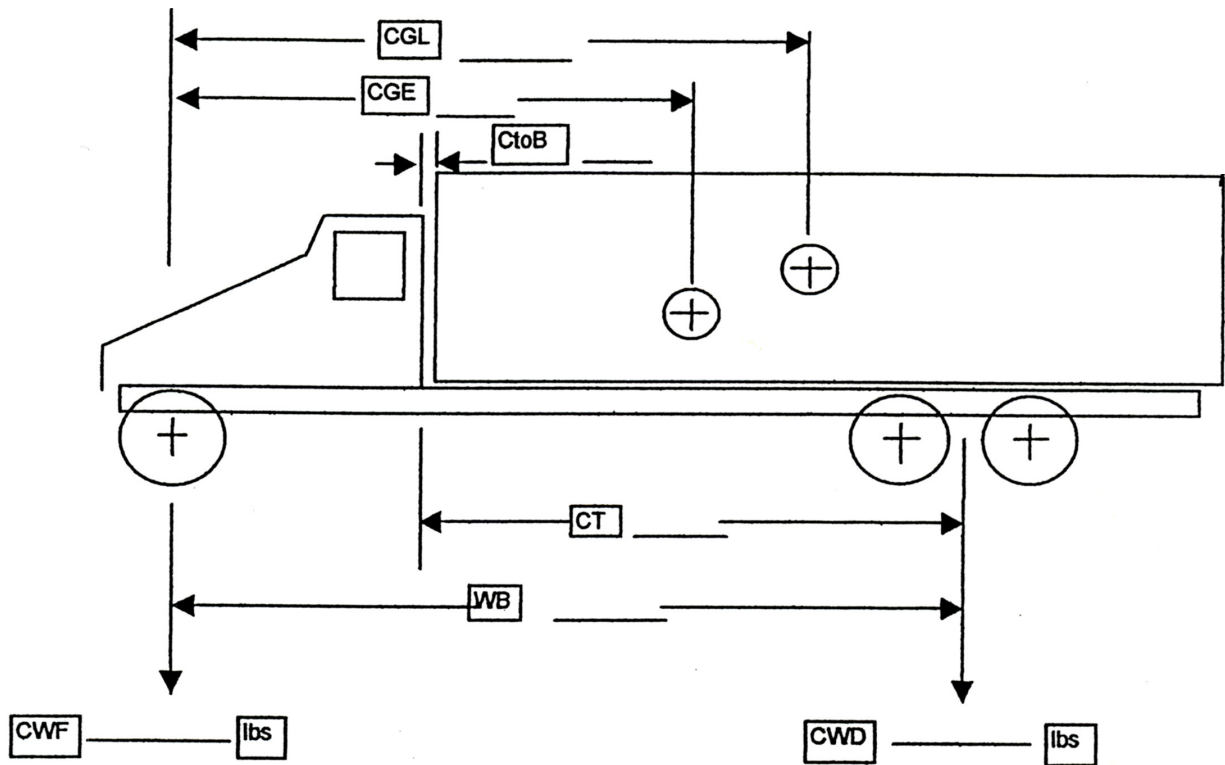
The following information is needed to calculate truck chassis weight distribution. With this information we can determine Total Legal Weight Distribution on the steering axle, the pusher and/or tags, and the drivers. Changing the position of the pushers and/or tags on the frame rails changes the weight distribution over the entire chassis. Federal Bridge laws govern the amount of weight allowed on each axle. In addition, there may be local and state laws that need to be considered. Link also offers an easy-to-use **Weight Distribution Program** on a CD at no charge for our customers. See page 3 for details.

SPEC'ING

To do a proper weight distribution you will need the following information

Use chart below to enter the following data.

- CT Cab to trunion, in inches
- WB Wheel Base, in inches
- CWF Empty Curb Weight Front
- CWD Empty Curb Weight Drivers
- CGE Center of Gravity, Equipment, such as body, in inches
- CGL Center of Gravity, Load, in inches
- WE Weight of Equipment
- WL Weight of Load
- CtoB Cab to Body, in inches



SELF-STEER
LIFT AXLES

NON-STEER
LIFT AXLES

OPTIONAL
EQUIPMENT

SERVICE
PARTS

TRAILER WEIGHT DISTRIBUTION CALCULATION

SPEC'ING

To do a proper weight distribution you will need the following information

Use chart below to enter the following data.

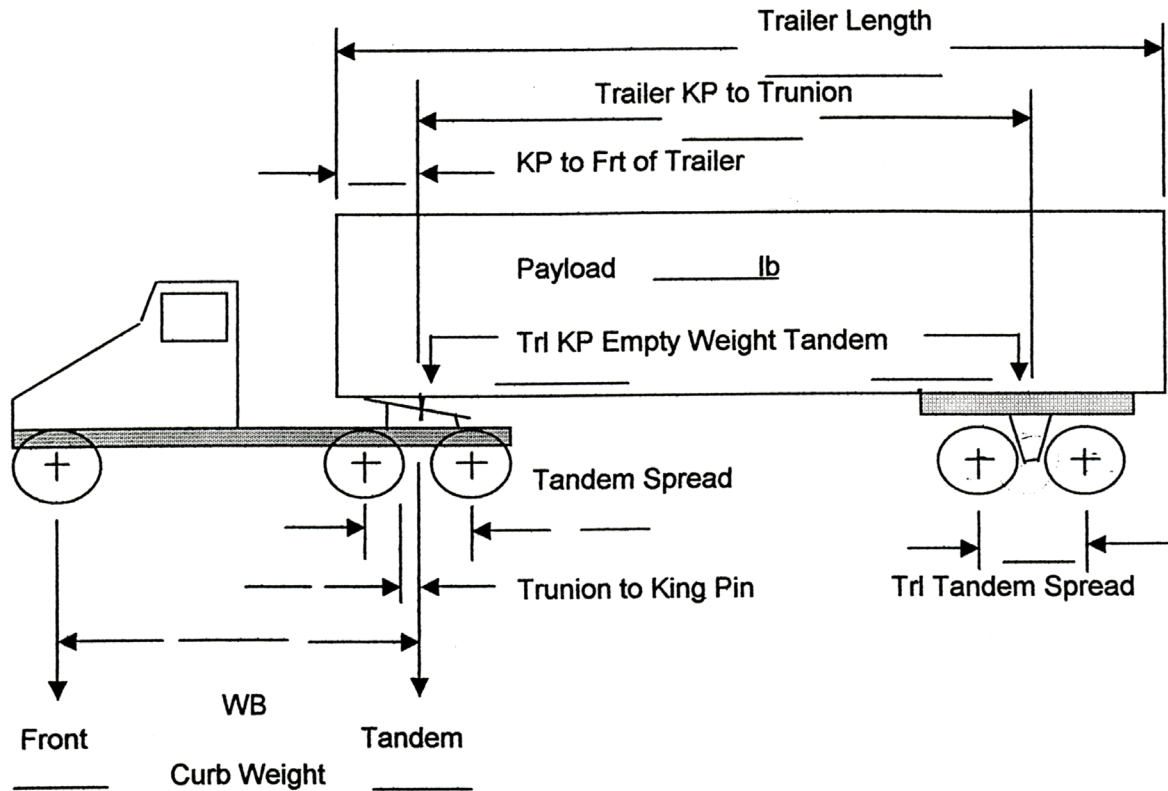
TL	Trailer Length in inches
WB	Wheel Base, in inches
CWF	Empty Curb Weight Front in pounds
CWD	Empty Curb Weight Drivers in pounds
Trunion to King Pin	Location of 5th Wheel in inches, (+) Forward (-) Rearward
TS	Tandem Spread in inches both Tractor and Trailer
KP to F	King Pin to Front of Cargo area in inches (+) if Forward (-) if Rearward
KP to Tr	King Pin to Trailer Trunion in inches, location of slider
KP Emp	Trailer King Pin Empty Weight in pounds
Tand Emp	Trailer Tandem Empty Weight in pounds
Payload	Trailer Payload in pounds

SELF-STEER
LIFT AXLES

NON-STEER
LIFT AXLES

OPTIONAL
EQUIPMENT

SERVICE
PARTS



AIR VOLUME CHARTS

Auxiliary Tank Volumes (cu. In.)			
Tank Length	Diameter (in.)		
	8	9.5	12
22	1105	1559	2487
23	1156	1629	2600
24	1206	1700	2713
25	1256	1771	2826
26	1306	1842	2939
27	1356	1813	3052
28	1407	1984	3165
29	1457	2055	3278
30	1507	2125	3391
31	1557	2196	3504
32	1608	2267	3617
33	1658	2338	3730

Brake Chamber Volume Chart	
Chamber Type	Volume cu. in
9	22
12	27
16	44
20	53
24	69
30	89
36	127

NOTE: Law requires that the air reservoir volume required is determined by adding all brake chamber volumes (including those on auxiliary axles) and multiplying by 12. See example below.

Brake Chamber Volume Chart				
Chamber Type	Volume cu. In			
9	22	0	0	
12	27	0	0	
16	44	2	88	Steering Axle
20	53	2	106	Pusher Axle
24	69	0	0	
30	89	4	356	Tandem Drives
36	127	0	0	
Total Chamber Volume			550	
			x 12	
Reservoir Volume Required			6600	

SPEC'ING

SELF-STEER
LIFT AXLES

NON-STEER
LIFT AXLES

OPTIONAL
EQUIPMENT

SERVICE
PARTS

DURALIFT II - 8K

	<u>PAGE</u>
Unit specs and ordering instructions - Truck Suspension	10
Ordering guide - Truck and Trailer Suspensions	11
Application charts - Truck Suspension	12-13

SS-135 - 13.5K

	<u>PAGE</u>
Unit specs and ordering instructions - Truck Suspension	14
Ordering guide - Truck and Trailer Suspensions	15
Application charts - Truck Suspension	16-17
Unit specs and ordering instructions - Trailer Suspension.....	18
Application charts - Trailer Suspension.....	19

DURALIFT II - 20K

	<u>PAGE</u>
Unit specs and ordering instructions - Truck Suspension	20
Ordering guide - Truck Suspensions.....	21
Application charts - Truck Suspension	22-23

SPEC'ING

**SELF-STEER
LIFT AXLES**

NON-STEER
LIFT AXLES

OPTIONAL
EQUIPMENT

SERVICE
PARTS

DURALIFT II 8K SELF-STEER

Specs

SPEC'ING

The DuraLift II 8K is a lightweight, 8K capacity, self-steering lift axle that incorporates several unique features. The patented, interchangeable ride height brackets allow the installer to manage inventory dollars and still have a lift axle available for almost any truck. The improved lift spring geometry of the DuraLift II assures longer life of the lift springs and less downtime for the owner. The compact mounting envelope (21.60") combined with the integrated air control system (optional) saves valuable frame rail space. The separate ride height brackets and pre-plumbed integrated air control kit can save up to 2-3 hours of installation time.

SELF-STEER
LIFT AXLES

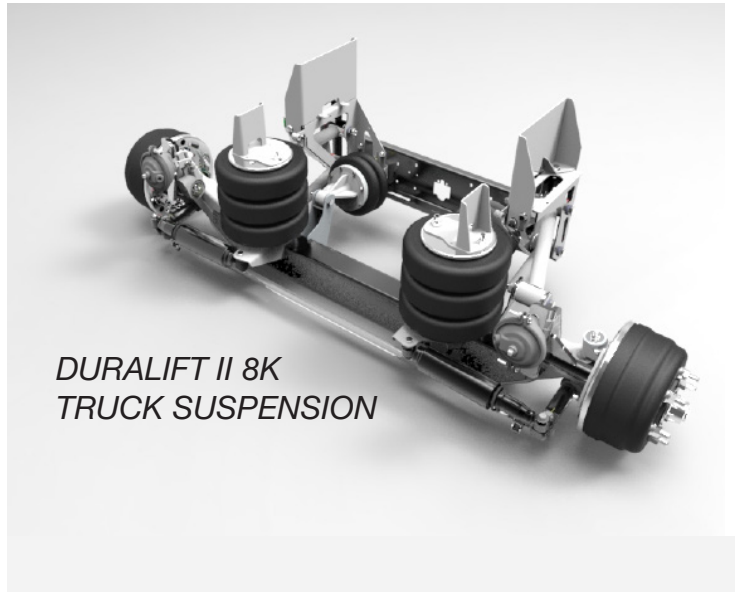
QUICK SPECS ▶▶▶

MODEL	DURALIFT II 8K
TYPE	SELF-STEER
WEIGHT	661 LBS
CAPACITY	8K
TRAVEL	13"
LIFT	9.5"
RIDE HEIGHT	11" - 19.5"
ENVELOPE	21.60"
FRAME WIDTH	33.5" - 35"

NON-STEER
LIFT AXLES

OPTIONAL
EQUIPMENT

SERVICE
PARTS



To order the DuraLift II 8K truck suspension, use the form on page 11.

1. Order the Base Unit. (Link part number 8A000726)
2. Order the Ride Height Bracket Kit.
 - a) Determine the Loaded Tire Radius on chart (page 4). Subtract Loaded Tire Radius from Loaded Frame Height to find correct ride height.
 - b) Select the correct Ride Height Bracket part number from charts.
3. Order Air Control Kit.
4. Order any Optional Equipment.

SUSPENSION-AXLE, UNITIZED (BASE UNIT)

- 8A000726 DURALIFT II 8K SUSPENSION-AXLE, INCLUDES HUB PILOT HUBS & DRUMS

FRAME BRACKET KITS (CHOOSE ONE)

- 8A000491 TRUCK MOUNT 11" TO 13.5" RIDE HEIGHT
 8A000492 TRUCK MOUNT 13" TO 15.5" RIDE HEIGHT
 8A000493 TRUCK MOUNT 15" TO 17.5" RIDE HEIGHT
 8A000494 TRUCK MOUNT 17" TO 19.5" RIDE HEIGHT

LOW PROFILE BRACKETS

- 8A000591 11" TO 13.5" RIDE HEIGHT
 8A000592 13" TO 15.5" RIDE HEIGHT
 8A000593 15" TO 17.5" RIDE HEIGHT

- 8A000496 TRAILER MOUNT 18.0" TO 20.5" RIDE HEIGHT
 8A000497 TRAILER MOUNT 20" TO 22.5" RIDE HEIGHT

AIR CONTROL KITS (CHOOSE ONE)

- 13501004 STANDARD AIR CONTROL KIT (INSTALLATION KIT NOT INCLUDED)
 800A0263 AIR CONTROL KIT IN SEALED BOX (INSTALLATION KIT NOT INCLUDED)
 800A0171 STANDARD INTEGRATED AIR CONTROL KIT (INCLUDES INSTALLATION KIT)
 800A0172 INTEGRATED AIR CONTROL KIT WITH SEALED BOX (INCLUDES INSTALLATION KIT)
 13501019 GT AIR CONTROL KIT

OPTIONAL KITS

- 800A0002 AIR TANK KIT, 1244 CU. IN. (MOUNTS TO SUSPENSION CROSSMEMBER)
 800A0134 AIR TANK KIT, 700 CU. IN. (MOUNTS TO SUSPENSION CROSSMEMBER)
 800A0014 INSTALLATION KIT, FOR USE WITH AIR CONTROL KITS (800A0236 OR 13501004)
 13501016 RATIO RELAY VALVE KIT (FOR USE WITH DRIVE AXLE AIR SUSPENSION)
 800A0256 GT INSTALLATION KIT
 800A0032 FASTENER KIT 2"
 800A0305 FASTENER KIT 2.5"

WHEELS (HUB PILOT)

- 84002025 POLISHED ALUMINUM 6 HOLE X 8.07 BC 17.5"
 84002026 MACHINED ALUMINUM 6 HOLE X 8.07 BC 17.5"

SPEC'ING

SELF-STEER
LIFT AXLES

NON-STEER
LIFT AXLES

OPTIONAL
EQUIPMENT

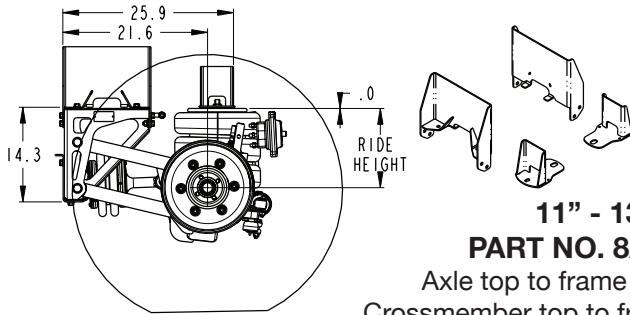
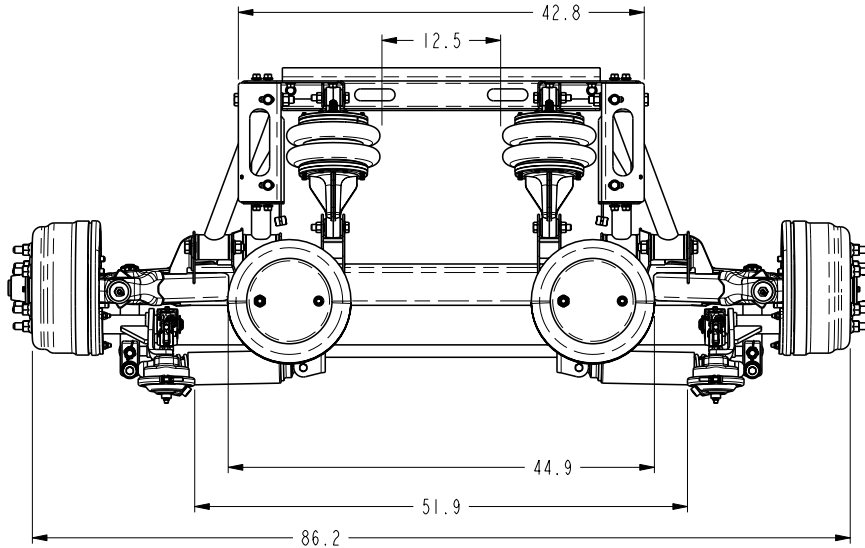
SERVICE
PARTS

DURALIFT II 8K SELF-STEER

Application Charts

SPEC'ING

SELF-STEER
LIFT AXLES



11" - 13.5"

PART NO. 8A000491

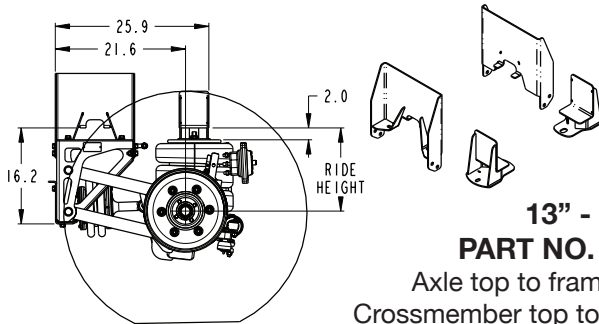
Axle top to frame bottom - 5.5"

Crossmember top to frame bottom - 7.0"

NON-STEER
LIFT AXLES

DURALIFT II LIFT CHART	RIDE HEIGHT 11.0" - 13.5" (FRAME MOUNT KIT 8A000491)															
LOADED FRAME HEIGHT →	25.0	25.5	26.0	26.5	27.0	27.5	28.0	28.5	29.0	29.5	30.0	30.5	31.0	31.5	32.0	32.5
LOADED TIRE RADIUS ↓																
14"		7.0	7.5	8.0	8.5	9.0	9.5									
15"				7.0	7.5	8.0	8.5	9.0	9.5							
16"					7.0	7.5	8.0	8.5	9.0	9.5						
17"							7.0	7.5	8.0	8.5	9.0	9.5				

OPTIONAL
EQUIPMENT



13" - 15.5"

PART NO. 8A000492

Axle top to frame bottom - 7.5"

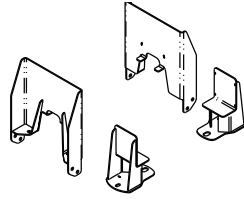
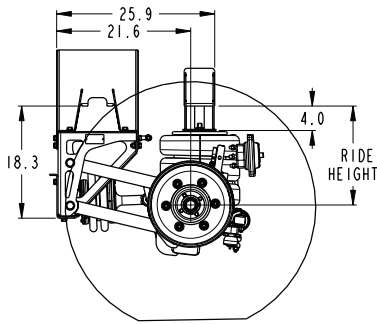
Crossmember top to frame bottom - 9.0"

SERVICE
PARTS

DURALIFT II LIFT CHART	RIDE HEIGHT 13.0" - 15.5" (FRAME MOUNT KIT 8A000492)															
LOADED FRAME HEIGHT →	25.0	25.5	26.0	26.5	27.0	27.5	28.0	28.5	29.0	29.5	30.0	30.5	31.0	31.5	32.0	32.5
LOADED TIRE RADIUS ↓																
14"					7.0	7.5	8.0	8.5	9.0	9.5						
15"							7.0	7.5	8.0	8.5	9.0	9.5				
16"									7.0	7.5	8.0	8.5	9.0	9.5		
17"											7.0	7.5	8.0	8.5	9.0	9.5

DURALIFT II 8K SELF-STEER

Application Charts



15" - 17.5"

PART NO. 8A000493

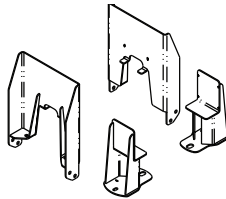
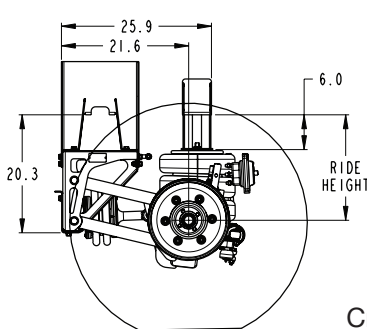
Axle top to frame bottom - 9.5"

Crossmember top to frame bottom - 11.0"

DURALIFT II LIFT CHART	RIDE HEIGHT 15.0" - 17.5" (FRAME MOUNT KIT 8A000493)															
LOADED FRAME HEIGHT →	29.0	29.5	30.0	30.5	31.0	31.5	32.0	32.5	33.0	33.5	34.0	34.5	35.0	35.5	36.0	36.5
LOADED TIRE RADIUS ↓																
14"		7.0	7.5	8.0	8.5	9.0	9.5									
15"				7.0	7.5	8.0	8.5	9.0	9.5							
16"						7.0	7.5	8.0	8.5	9.0	9.5					
17"								7.0	7.5	8.0	8.5	9.0	9.5			

SPEC'ING

SELF-STEER
LIFT AXLES



17" - 19.5"

PART NO. 8A000494

Axle top to frame bottom - 11.5"

Crossmember top to frame bottom - 13.0"

DURALIFT II LIFT CHART	RIDE HEIGHT 17.0" - 19.5" (FRAME MOUNT KIT 8A000494)															
LOADED FRAME HEIGHT →	29.0	29.5	30.0	30.5	31.0	31.5	32.0	32.5	33.0	33.5	34.0	34.5	35.0	35.5	36.0	36.5
LOADED TIRE RADIUS ↓																
14"					7.0	7.5	8.0	8.5	9.0	9.5						
15"							7.0	7.5	8.0	8.5	9.0	9.5				
16"									7.0	7.5	8.0	8.5	9.0	9.5		
17"											7.0	7.5	8.0	8.5	9.0	9.5

NON-STEER
LIFT AXLES

OPTIONAL
EQUIPMENT

SERVICE
PARTS

SS-135 13.5K SELF-STEER

Specs - Truck Suspension

SPEC'ING

The SS-135 is a lightweight, 13.5K capacity, self-steering lift axle that incorporates several unique features. The patented, interchangeable ride height brackets allow the installer to manage inventory dollars and still have a lift axle available for almost any truck. The improved lift spring geometry of the DuraLift assures longer life of the lift springs and less downtime for the owner. The compact mounting envelope (22.3") combined with the integrated air control system (optional) saves valuable frame rail space. The separate ride height brackets and pre-plumbed integrated air control kit can save up to 2-3 hours of installation time.

SELF-STEER
LIFT AXLES

QUICK SPECS ▶▶▶

MODEL SS-135 13.5K
TYPE SELF-STEER
WEIGHT 866 LBS
CAPACITY 13.5K
TRAVEL 13"
LIFT 9.5"
RIDE HEIGHT 8" - 16.5"
ENVELOPE 22.2"
FRAME WIDTH 33.5" - 35"

NON-STEER
LIFT AXLES



OPTIONAL
EQUIPMENT

To order the SS-135 13.5K truck suspension, use the form on page 15.

1. Order the Base Unit. (Link part number 8A000723)
2. Choose the Wheel End Kit.
3. Order the Ride Height Bracket Kit.
 - a) Determine the Loaded Tire Radius on chart (page 4). Subtract Loaded Tire Radius from Loaded Frame Height to find correct ride height.
 - b) Select the correct Ride Height Bracket part number from charts.
4. Order Air Control Kit.
5. Order any Optional Equipment.

SERVICE
PARTS

SUSPENSION-AXLE, UNITIZED (BASE UNIT)

8A000723 SS-135 SUSPENSION-AXLE

WHEEL END KIT, (CHOOSE ONE)

- 840A0140 3/4" STUD PILOTED HUBS & DRUMS
- 840A0141 HUB PILOTED HUBS & DRUMS
- 840A0142 CAST SPOKE WHEELS & DRUMS
- 840A0143 HUB PILOTED HUBS WITH SPECIAL DRUMS FOR USE WITH 19.5 WHEELS
- 840A0144 HUB PILOTED ALUMINUM HUBS AND CENTRIFUSE DRUMS
- 840A0145 1-1/8" STUD PILOTED HUBS & DRUMS
- 840A0146 LESS HUBS & DRUMS (BEARINGS, SEALS, AND HARDWARE ONLY)

FRAME BRACKET KITS, (CHOOSE ONE)

- 8A000491 TRUCK MOUNT 8.0 TO 10.5" RIDE HEIGHT
- 8A000492 TRUCK MOUNT 10.0 TO 12.5" RIDE HEIGHT
- 8A000493 TRUCK MOUNT 12.0 TO 14.5" RIDE HEIGHT
- 8A000494 TRUCK MOUNT 14.0 TO 16.5" RIDE HEIGHT
- 8A000496 TRAILER MOUNT 15.0 TO 17.5" RIDE HEIGHT
- 8A000497 TRAILER MOUNT 17.0 TO 19.5" RIDE HEIGHT

LOW PROFILE BRACKETS

- 8A000591 8" TO 10.5" RIDE HEIGHT
- 8A000592 10" TO 12.5" RIDE HEIGHT
- 8A000593 12" TO 14.5" RIDE HEIGHT

AIR CONTROL KITS (CHOOSE ONE)

- 13501004 STANDARD AIR CONTROL KIT (INSTALLATION KIT NOT INCLUDED)
- 13501019 GT AIR CONTROL KIT
- 800A0263 AIR CONTROL KIT IN SEALED BOX (INSTALLATION KIT NOT INCLUDED)
- 800A0174 STANDARD INTEGRATED AIR CONTROL KIT, (INCLUDES INSTALLATION KIT)
- 800A0175 INTEGRATED AIR CONTROL KIT WITH SEALED BOX, (INCLUDES INSTALLATION KIT)

OPTIONAL KITS

- 800A0002 AIR TANK KIT, 1244 CU. IN. (MOUNTS TO SUSPENSION CROSSMEMBER)
- 800A0134 AIR TANK KIT, 700 CU. IN.
- 800A0014 INSTALLATION KIT, TO BE USED WITH AIR CONTROL KITS (13501004 OR 800A0263)
- 800A0256 GT INSTALLATION KIT
- 800A0032 FASTENER KIT 2"
- 800A0305 FASTENER KIT 2.5"
- 84001682 DUST SHIELD KIT (2 PER AXLE REQUIRED)

SPEC'ING

SELF-STEER
LIFT AXLES

NON-STEER
LIFT AXLES

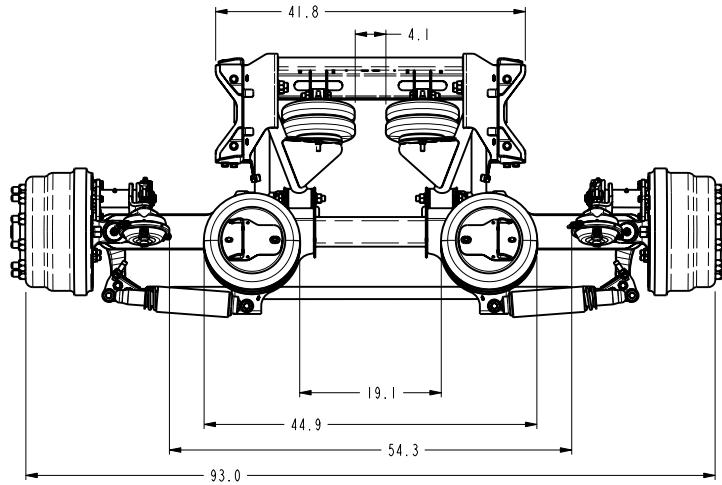
OPTIONAL
EQUIPMENT

SERVICE
PARTS

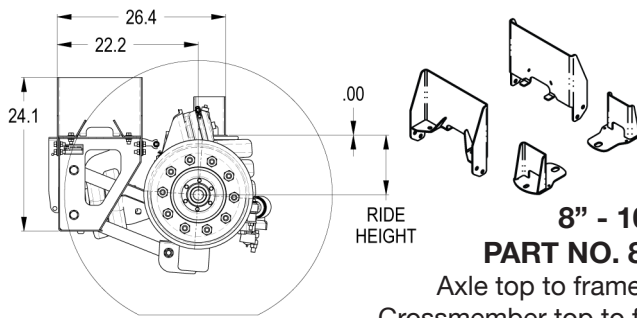
SS-135 13.5K SELF-STEER

Application Charts - Truck Suspension

SPEC'ING



SELF-STEER
LIFT AXLES



8" - 10.5"

PART NO. 8A000491

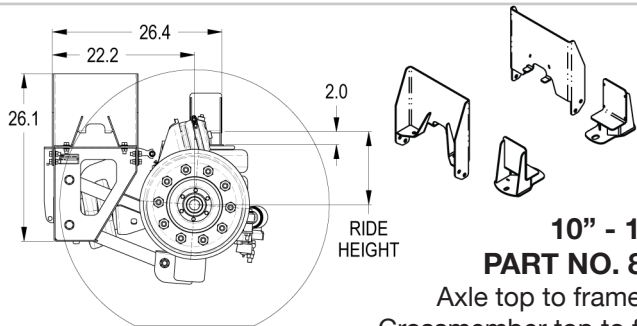
Axle top to frame bottom - 6.5"

Crossmember top to frame bottom - 7.0"

NON-STEER
LIFT AXLES

SS-135 LIFT CHART	RIDE HEIGHT 8.0" - 10.5" (FRAME MOUNT KIT 8A000491)																	
LOADED FRAME HEIGHT →	25.0	25.5	26.0	26.5	27.0	27.5	28.0	28.5	29.0	29.5	30.0	30.5	31.0	31.5	32.0	32.5	33.0	33.5
LOADED TIRE RADIUS ↓																		
17"	7.0	7.5	8.0	8.5	9.0	9.5												
18"			7.0	7.5	8.0	8.5	9.0	9.5										
19"					7.0	7.5	8.0	8.5	9.0	9.5								
20"							7.0	7.5	8.0	8.5	9.0	9.5						
21"										7.0	7.5	8.0	8.5	9.0	9.5			

OPTIONAL
EQUIPMENT



10" - 12.5"

PART NO. 8A000492

Axle top to frame bottom - 8.5"

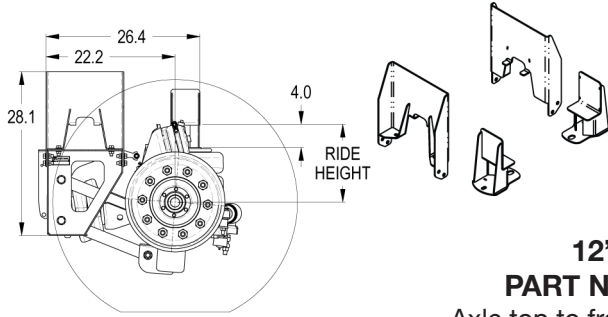
Crossmember top to frame bottom - 9.0"

SERVICE
PARTS

SS-135 LIFT CHART	RIDE HEIGHT 10.0" - 12.5" (FRAME MOUNT KIT 8A000492)																		
LOADED FRAME HEIGHT →	25.0	25.5	26.0	26.5	27.0	27.5	28.0	28.5	29.0	29.5	30.0	30.5	31.0	31.5	32.0	32.5	33.0	33.5	
LOADED TIRE RADIUS ↓																			
17"					7.0	7.5	8.0	8.5	9.0	9.5									
18"							7.0	7.5	8.0	8.5	9.0	9.5							
19"									7.0	7.5	8.0	8.5	9.0	9.5					
20"											7.0	7.5	8.0	8.5	9.0	9.5			
21"														7.0	7.5	8.0	8.5	9.0	9.5

SS-135 13.5K SELF-STEER

Application Charts - Truck Suspension



12" - 14.5"

PART NO. 8A000493

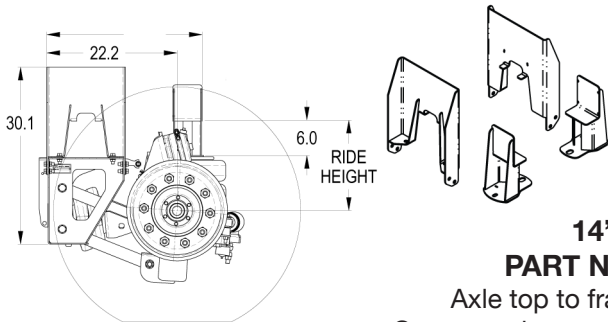
Axle top to frame bottom - 10.5"

Crossmember top to frame bottom - 11.0"

SS-135 LIFT CHART	RIDE HEIGHT 12.0" - 14.5" (FRAME MOUNT KIT 8A000493)																	
LOADED FRAME HEIGHT →	29.0	29.5	30.0	30.5	31.0	31.5	32.0	32.5	33.0	33.5	34.0	34.5	35.0	35.5	36.0	36.5	37.0	37.5
LOADED TIRE RADIUS ↓																		
17"	7.0	7.5	8.0	8.5	9.0	9.5												
18"			7.0	7.5	8.0	8.5	9.0	9.5										
19"					7.0	7.5	8.0	8.5	9.0	9.5								
20"							7.0	7.5	8.0	8.5	9.0	9.5						
21"										7.0	7.5	8.0	8.5	9.0	9.5			

SPEC'ING

SELF-STEER
LIFT AXLES



14" - 16.5"

PART NO. 8A000494

Axle top to frame bottom - 12.5"

Crossmember top to frame bottom - 13.0"

SS-135 LIFT CHART	RIDE HEIGHT 14.0" - 16.5" (FRAME MOUNT KIT 8A000494)																	
LOADED FRAME HEIGHT →	29.0	29.5	30.0	30.5	31.0	31.5	32.0	32.5	33.0	33.5	34.0	34.5	35.0	35.5	36.0	36.5	37.0	37.5
LOADED TIRE RADIUS ↓																		
17"					7.0	7.5	8.0	8.5	9.0	9.5								
18"							7.0	7.5	8.0	8.5	9.0	9.5						
19"									7.0	7.5	8.0	8.5	9.0	9.5				
20"											7.0	7.5	8.0	8.5	9.0	9.5		
21"													7.0	7.5	8.0	8.5	9.0	9.5

NON-STEER
LIFT AXLES

OPTIONAL
EQUIPMENT

SERVICE
PARTS

SS-135 13.5K SELF-STEER

Specs - Trailer Suspension

SPEC'ING

The Link Lifiable Suspension system for trailer applications offers patented, interchangeable ride height brackets for easier installation and the option of moving the liftable suspension to a different trailer by simply using different brackets. The range of ride heights available is 15" - 19.5".

SELF-STEER
LIFT AXLES

QUICK SPECS ▶▶▶

MODEL SS-135 13.5K

TYPE SELF-STEER

WEIGHT 866 LBS

CAPACITY 13.5K

TRAVEL 13"

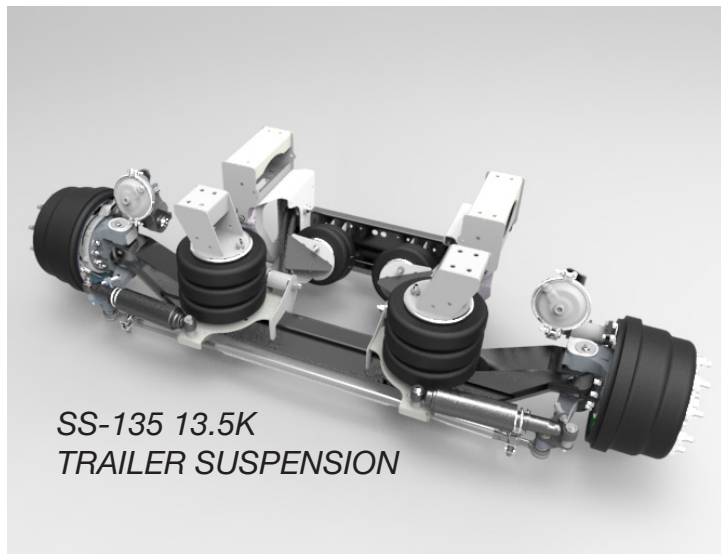
LIFT 9.5"

RIDE HEIGHT 15" - 19.5"

ENVELOPE 22.3"

FRAME WIDTH VARIES

NON-STEER
LIFT AXLES



OPTIONAL
EQUIPMENT

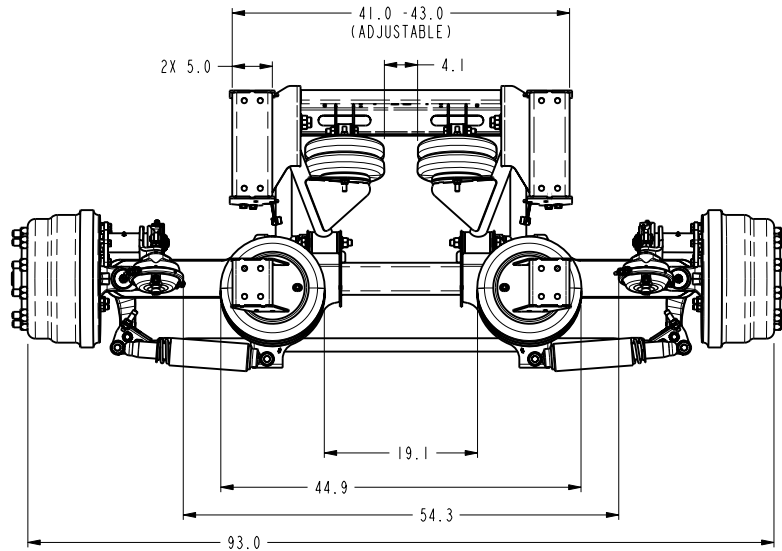
To order the SS-135 13.2K trailer suspension, use the form on page 15.

1. Order the Base Unit. (Link part number 8A000723)
2. Choose the Wheel End Kit.
3. Order the Ride Height Bracket Kit.
 - a) Determine the Loaded Tire Radius on chart (page 4). Subtract Loaded Tire Radius from Loaded Frame Height to find correct ride height.
 - b) Select the correct Ride Height Bracket part number from charts.
4. Order Air Control Kit.
5. Order any Optional Equipment.

SERVICE
PARTS

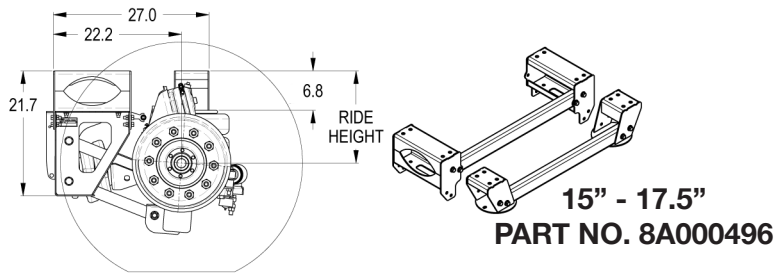
SS-135 13.5K SELF-STEER

Application Charts - Trailer Suspension



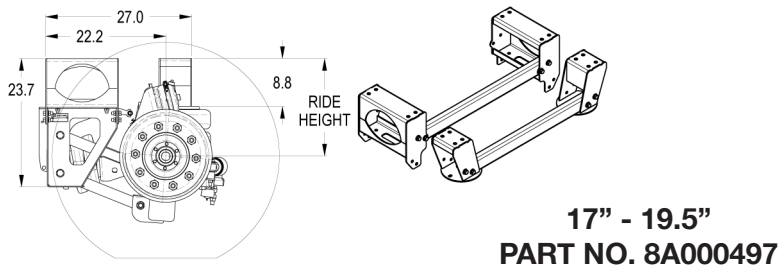
SPEC'ING

SELF-STEER
LIFT AXLES



SS-135 LIFT CHART	RIDE HEIGHT 8.0" - 10.5" (FRAME MOUNT KIT 8A000491)																	
LOADED FRAME HEIGHT →	32.0	32.5	33.0	33.5	34.0	34.5	35.0	35.5	36.0	36.5	37.0	37.5	38.0	38.5	39.0	39.5	40.0	40.5
LOADED TIRE RADIUS ↓																		
17"	7.0	7.5	8.0	8.5	9.0	9.5												
18"			7.0	7.5	8.0	8.5	9.0	9.5										
19"					7.0	7.5	8.0	8.5	9.0	9.5								
20"							7.0	7.5	8.0	8.5	9.0	9.5						
21"									7.0	7.5	8.0	8.5	9.0	9.5				

NON-STEER
LIFT AXLES



SS-135 LIFT CHART	RIDE HEIGHT 10.0" - 12.5" (FRAME MOUNT KIT 8A000492)																	
LOADED FRAME HEIGHT →	32.0	32.5	33.0	33.5	34.0	34.5	35.0	35.5	36.0	36.5	37.0	37.5	38.0	38.5	39.0	39.5	40.0	40.5
LOADED TIRE RADIUS ↓																		
17"					7.0	7.5	8.0	8.5	9.0	9.5								
18"							7.0	7.5	8.0	8.5	9.0	9.5						
19"									7.0	7.5	8.0	8.5	9.0	9.5				
20"											7.0	7.5	8.0	8.5	9.0	9.5		
21"													7.0	7.5	8.0	8.5	9.0	9.5

OPTIONAL
EQUIPMENT

SERVICE
PARTS

DURALIFT II 20K SELF-STEER

Specs - Truck Suspension

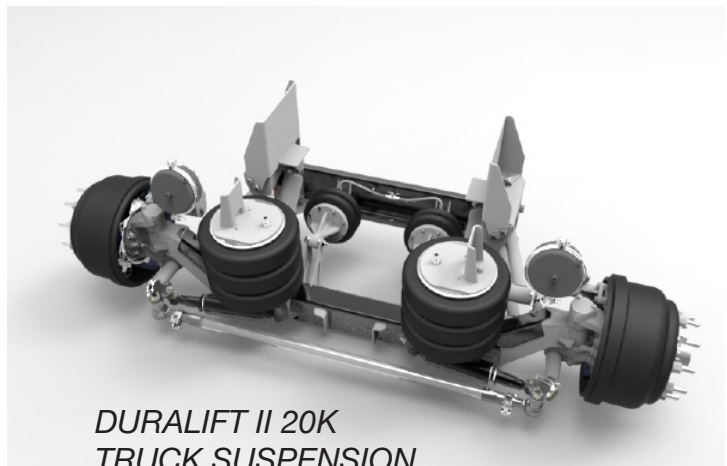
SPEC'ING

The DuraLift II 20K is a lightweight, 20K capacity, self-steering lift axle that incorporates several unique features. The patented, interchangeable ride height brackets allow the installer to manage inventory dollars and still have a lift axle available for almost any truck. The improved lift spring geometry of the DuraLift assures longer life of the lift springs and less downtime for the owner. The compact mounting envelope (23") combined with the integrated air control system (optional) saves valuable frame rail space. The separate ride height brackets and pre-plumbed integrated air control kit can save up to 2-3 hours of installation time.

SELF-STEER
LIFT AXLES

QUICK SPECS ▶▶▶

MODEL	DURALIFT II 20K
TYPE	SELF-STEER
WEIGHT	1197 LBS
CAPACITY	20K
TRAVEL	13"
LIFT	9.5"
RIDE HEIGHT	8" - 14.5"
ENVELOPE	23"
FRAME WIDTH	33.5" - 35"



NON-STEER
LIFT AXLES

OPTIONAL
EQUIPMENT

To order the DuraLift II 20K truck suspension, use the form on page 21.

1. Order the Base Unit. (Link part number 8A000728)
2. Order the Ride Height Bracket Kit.
 - a) Determine the Loaded Tire Radius on chart (page 4). Subtract Loaded Tire Radius from Loaded Frame Height to find correct ride height.
 - b) Select the correct Ride Height Bracket part number from charts.
3. Order Air Control Kit.
4. Order any Optional Equipment.

SERVICE
PARTS

SUSPENSION-AXLE, UNITIZED (BASE UNIT)

- 8A000728 DURALIFT SUSPENSION-AXLE, HUB PILOT HUBS AND DRUMS

FRAME BRACKET KITS, (CHOOSE ONE)

- 8A000681 TRUCK MOUNT 8.0 TO 10.5" RIDE HEIGHT
 8A000682 TRUCK MOUNT 10.0 TO 12.5" RIDE HEIGHT
 8A000683 TRUCK MOUNT 12.0 TO 14.5" RIDE HEIGHT

AIR CONTROL KITS (CHOOSE ONE)

- 13501004 STANDARD AIR CONTROL KIT (INSTALLATION KIT NOT INCLUDED)
 13501019 GT AIR CONTROL KIT
 800A0263 AIR CONTROL KIT IN SEALED BOX (INSTALLATION KIT NOT INCLUDED)
 800A0168 STANDARD INTEGRATED AIR CONTROL KIT,
(INCLUDES INSTALLATION KIT), FOR 8A000684
 800A0169 INTEGRATED AIR CONTROL KIT WITH SEALED BOX,
(INCLUDES INSTALLATION KIT), FOR 8A000684

OPTIONAL KITS

- 800A0153 AIR TANK KIT, 2170 CU. IN. (MOUNTS TO SUSPENSION CROSSMEMBER)
 800A0318 REVERSE LOCK KIT
 800A0014 INSTALLATION KIT, TO BE USED WITH AIR CONTROL KITS (13501004 OR 800A0263)
 800A0256 GT INSTALLATION KIT
 13501016 RATIO RELAY VALVE KIT TO BE USED WITH DRIVE AXLE AIR SUSPENSIONS
 800A0032 FASTENER KIT 2"
 800A0305 FASTENER KIT 2.5"
 84002029 DUST SHIELD KIT (2 REQUIRED PER AXLE)

SPEC'ING

SELF-STEER
LIFT AXLES

NON-STEER
LIFT AXLES

OPTIONAL
EQUIPMENT

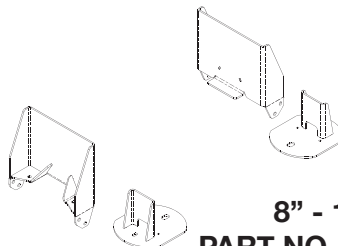
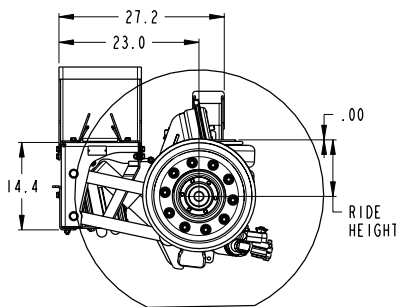
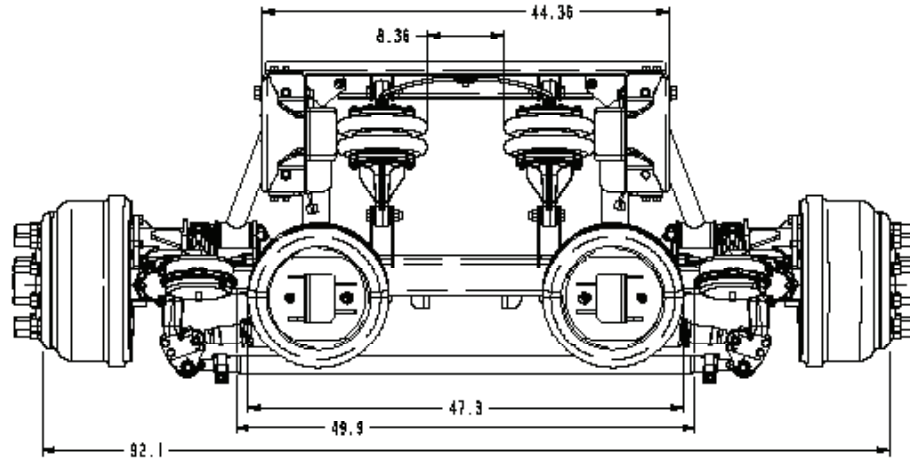
SERVICE
PARTS

DURALIFT II 20K SELF-STEER

Application Chart - Truck Suspension

SPEC'ING

SELF-STEER
LIFT AXLES



8'' - 10.5''

PART NO. 8A000681

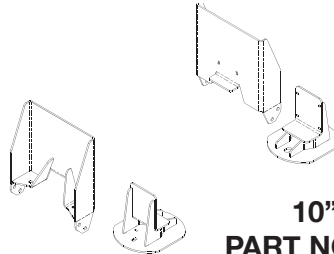
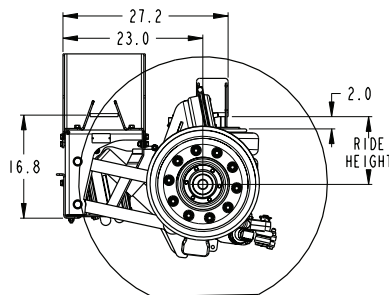
Axle top to frame bottom - 6.5"

Crossmember top to frame bottom - 7.0"

NON-STEER
LIFT AXLES

DURALIFT II LIFT CHART	RIDE HEIGHT 8.0" - 10.5" (FRAME MOUNT KIT 8A000681)													
LOADED FRAME HEIGHT →	26.0	26.5	27.0	27.5	28.0	28.5	29.0	29.5	30.0	30.5	31.0	31.5	32.0	32.5
LOADED TIRE RADIUS ↓														
18"	7.0	7.5	8.0	8.5	9.0	9.5								
19"			7.0	7.5	8.0	8.5	9.0	9.5						
20"					7.0	7.5	8.0	8.5	9.0	9.5				
21"							7.0	7.5	8.0	8.5	9.0	9.5		
22"									7.0	7.5	8.0	8.5	9.0	9.5

OPTIONAL
EQUIPMENT



10'' - 12.5''

PART NO. 8A000682

Axle top to frame bottom - 8.5"

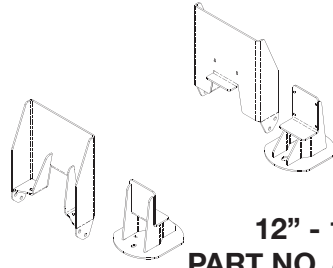
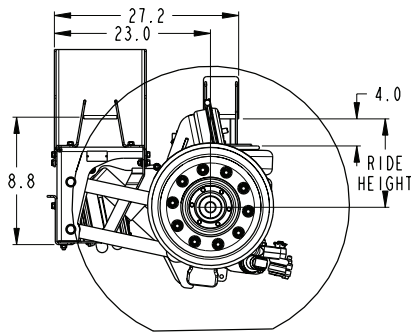
Crossmember top to frame bottom - 9.0"

SERVICE
PARTS

DURALIFT II LIFT CHART	RIDE HEIGHT 10.0" - 12.5" (FRAME MOUNT KIT 8A000682)													
LOADED FRAME HEIGHT →	28.0	28.5	29.0	29.5	30.0	30.5	31.0	31.5	32.0	32.5	33.0	33.5	34.0	34.5
LOADED TIRE RADIUS ↓														
18"	7.0	7.5	8.0	8.5	9.0	9.5								
19"			7.0	7.5	8.0	8.5	9.0	9.5						
20"					7.0	7.5	8.0	8.5	9.0	9.5				
21"							7.0	7.5	8.0	8.5	9.0	9.5		
22"									7.0	7.5	8.0	8.5	9.0	9.5

DURALIFT II 20K SELF-STEER

Application Charts - Truck Suspension



12" - 14.5"

PART NO. 8A000683

Axle top to frame bottom - 10.5"

Crossmember top to frame bottom - 11.0"

DURALIFT II LIFT CHART	RIDE HEIGHT 12.0" - 14.5" (FRAME MOUNT KIT 8A000493)														
LOADED FRAME HEIGHT →	30.0	30.5	31.0	31.5	32.0	32.5	33.0	33.5	34.0	34.5	35.0	35.5	36.0	36.5	
LOADED TIRE RADIUS ↓															
18"	7.0	7.5	8.0	8.5	9.0	9.5									
19"			7.0	7.5	8.0	8.5	9.0	9.5							
20"					7.0	7.5	8.0	8.5	9.0	9.5					
21"							7.0	7.5	8.0	8.5	9.0	9.5			
22"									7.0	7.5	8.0	8.5	9.0	9.5	

SPEC'ING

SELF-STEER
LIFT AXLES

NON-STEER
LIFT AXLES

OPTIONAL
EQUIPMENT

SERVICE
PARTS

AIR CONTROL KITS

	<u>PAGE</u>
Integrated Air Control Kit (800A0136 & 800A0137) - non-current	36
<i>- fits DuraLift II 8K & 13.2K part numbers 8A000499 & 8A000490</i>	
Integrated Air Control Kit (800A0171 & 800A0172) - current - fits DuraLift II 8K & 13.2K ...	37
<i>- fits DuraLift II 8K & 13.2K part numbers 8A000711, 8A000712, 8A000715, 8A000716 & 8A000726</i>	
Integrated Air Control Kit (800A0168 & 800A0169) - fits DuraLift II 20K (8A000728).....	38
Integrated Air Control Kit (800A0174 & 800A0175) - fits SS-135 (8A000723).....	39
Integrated Air Control Kit (800A0097) - fits DuraMax 20K.....	40
Parts Kit (800A0303 & 800A0304) included in 800A0171, 800A0172, 800A0168, 800A0169....	41
Parts Kit (800A0306) included in 800A0097.....	42
Air Over Air Control Kit (800A0098).....	43
Standard Electric Over Air Control Kit (1350-1004) - fits all applications	44
GT Air Control Kit (13501019) - fits all applications.....	45
Integrated Electric Over Air GT Control Kit (800A0265) - fits DuraMax 20K.....	46
Sealed Air Control Kit (800A0034) - non-current	47
Sealed Air Control Kit (800A0263) - current - fits all applications.....	48
Installation Kit - Hoses, Wires, Fittings & Fasteners (800A0014)	49
GT Installation Kit - (800A0256)	40
Ratio Relay Valve Kit	51

OTHER OPTIONS

	<u>PAGE</u>
Dust Shield Kits.....	52
Model 5500 17K Upgrade Kit - Tag only (800A0044).....	52

AIR TANK KITS *Tank, Brackets, Fasteners, Fittings**

	<u>PART NO</u>
700 cu. in. Tank Kit (DuraLift II).....	800A0134
1244 cu. in. Tank Kit (DuraLift II and Model 6000)	800A0002
1244 cu. in. Tank Kit (DuraMax).....	800A0064
2170 cu. in. Tank Kit (DuraLift II 20K)	800A0153

SELF-STEER LOCKING KITS

	<u>PART NO</u>
DuraLift.....	800A0038
DuraLift II - 13.2K ONLY - before Serial # 0618200	800A0039
DuraLift II - 13.2K ONLY - after Serial #061820000	800A0185
DuraLift II - 20K.....	800A0318
Model 9000	800A0052
Model 6000 - 13.2K.....	800A0028
Model 6000 - 20K.....	800A0025

MOUNTING TEMPLATES & FRAME FASTENERS

	<u>PART NO</u>
DURALIFT II.....	800A0231
DURAMAX.....	800A0232
Frame Fastener Kit - 16 each, 2" Flange bolts and Flange Nuts	800A0032
Frame Fastener Kit - 16 each, 2.5" Flange bolts and Flange Nuts	800A0305

AIR CONTROL KITS

Integrated Air Kit - 800A0136 & 800A0137 - Non-Current

Fits Part Numbers- 8A000499 & 8A0000490

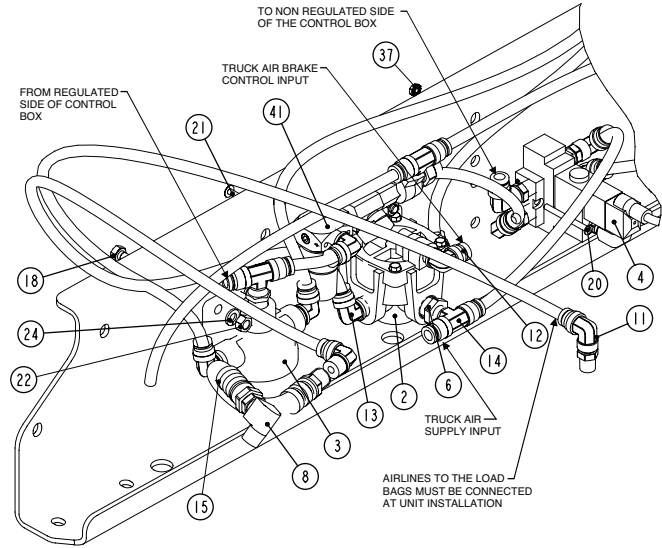
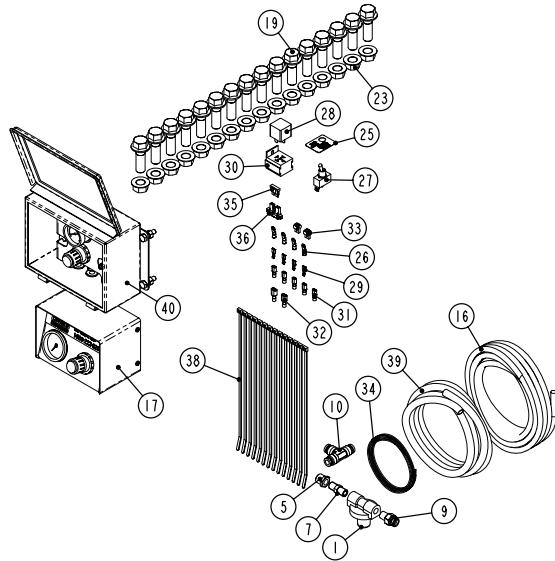
SPEC'ING

SELF-STEER
LIFT AXLES

NON-STEER
LIFT AXLES

OPTIONAL
EQUIPMENT

SERVICE
PARTS



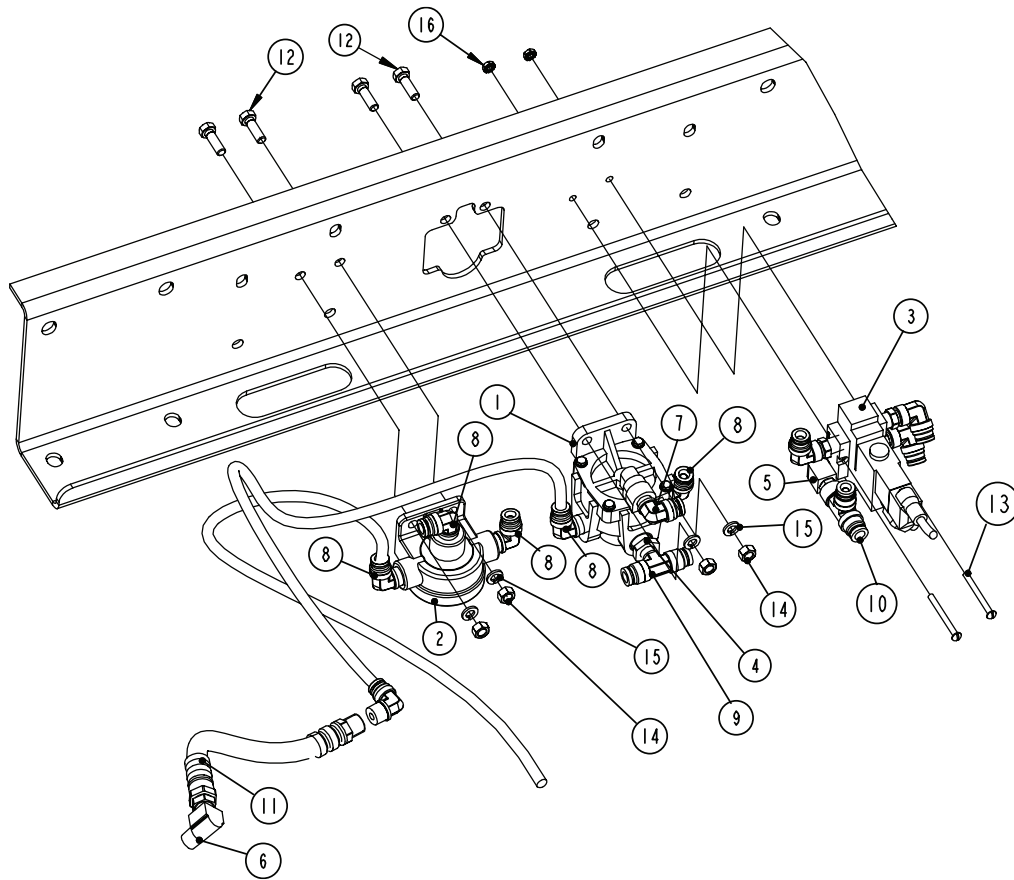
INTEGRATED AIR PART NO. 800A0136 & 800A0137 - NON-CURRENT

ITEM	LINK PART #	PART DESCRIPTION	QTY	
			800A0136	800A0137
1	13010084	VALVE-PRESSURE PROTECTION	1	1
2	13010508	RELAY VALVE, RG-2, MIDLAND	1	1
3	13010546	VALVE-QUICK RELEASE	1	1
4	13010555	VALVE-SOLENOID, 4 WAY, 12 V	1	1
5	13022016	BUSHING-REDUCER 3/8 M-NPT TO 1/4 F-NPT	2	2
6	13022018	BUSHING-REDUCER, 1/2 M-NPT - 1/4 F-NPT	1	1
7	13022065	HEX NIPPLE, 1/4 M-NPT	1	1
8	13022102	ELBOW, 90 STREET (3/8-NPT)	2	2
9	13025049	CONNECTOR-MALE, 3/8 TB, 1/4 NPT	1	1
10	13025061	TEE-UNION, 3/8 TUBE	1	1
11	13025094	ELBOW-SWIV, 3/8 TB, 1/4 NPT	2	2
12	13025104	ELBOW-3/8 TB, 1/4 M-NPT	1	1
13	13025105	ELBOW-3/8 TB, 3/8 M-NPT	6	6
14	13025143	TEE-BRANCH, 1/4 M-NPT, 3/8 TUBE	2	2
15	13029972	ASSEMBLY-AIR BRAKE HOSE (26 IN.)	2	2
16	13034000	3/8 AIRLINE	1	1
17	13501011	BOX-CONTROL, STD. AIR	1	-
18	140B1008	5/16 X 1 UNC HEX CAP SCR (GR 8) O&P	4	4
19	141A2016	5/8 X 2 UNC FLANGE BOLT (GR 8) O&P	16	16
20	144N0B16	10-32 X 2 ROUND HEAD MACH. SCREW	2	2
21	144P0B04	10-32 X 1/2 TRUSS HEAD MAC. SCREW	2	2
22	14701004	5/16 UNC HEX NUT (GR B) O&P	4	4
23	14802004	5/8 UNC TOP LOCK FL NUT (GR G) O&P	16	16
24	14851004	5/16 LOCK WASHER OIL&PHOS	4	4
25	15001318	PLATE-SWITCH, LIFT	1	1
26	15050055	TERMINAL-RING, #10 STUD, 14-16	4	4
27	15050350	SWITCH-TOGGLE	1	1
28	15050351	RELAY	1	1
29	15050353	CONNECTOR-PUSH-ON, FEMALE	4	4
30	15050354	RELAY BASE	1	1
31	15051100	CONNECTOR-SLIDE, FEMALE, 14-16	5	5
32	15051101	CONNECTOR-SLIDE, MALE, 14-16	2	2
33	15051250	T-TAP, 14-18	2	2
34	15051505	WIRE-PRIMARY, 14 GA. GPT (BLACK) 30 FT	1	1
35	15051868	FUSE-AUTOMOTIVE, 10 AMP	1	1
36	15051884	HOLDER-FUSE, AUTOMOTIVE, 14-18	1	1
37	15060042	10-32 KEP NUT	2	2
38	1506-0081	NYLON CABLE TIE, 11" LONG	14	14
39	15092000	0.375 CORRUGATED LOOM (120.0")	1	1
40	800A0051	BOX-CONTROL, SEALED AIR	-	1
41	800A0119	CONTROL-AIR, LIFT SPRING	1	1

AIR CONTROL KITS

Integrated Air Kit - 800A0171 & 800A0172 - Current

Fits Part Numbers- 8A000711, 8A000712, 8A000715, 8A000716 & 8A000726



SPEC'ING

SELF-STEER
LIFT AXLES

NON-STEER
LIFT AXLES

OPTIONAL
EQUIPMENT

SERVICE
PARTS

INTEGRATED AIR PART NO. 800A0171 & 800A0172 - CURRENT

ITEM	LINK PART #	PART DESCRIPTION	QTY	
			800A0171	800A0172
1	13010508	RELAY VALVE, RG-2, MIDLAND	1	1
2	13010546	VALVE-QUICK RELEASE	1	1
3	13010555	VALVE-SOLENOID, 4 WAY, 12 V	1	1
4	13022018	BUSHING-REDUCER, 1/2 M-NPT - 1/4 F-NPT	1	1
5	13022099	ELBOW, 90 STREET (1/4-NPT)	1	1
6	13022102	ELBOW, 90 STREET (3/8-NPT)	2	2
7	13025104	ELBOW-3/8 TB, 1/4 M-NPT	1	1
8	13025105	ELBOW-3/8 TB, 3/8 M-NPT	7	7
9	13025143	TEE-BRANCH, 1/4 M-NPT, 3/8 TUBE	1	1
10	13025132	TEE-RUN, 1/4 M-NPT, 3/8 TUBE	1	1
11	13029972	ASSEMBLY-AIR BRAKE HOSE (26 IN.)	2	2
12	140B1008	5/16 X 1 UNC HEX CAP SCR (GR 8) O&P	4	4
13	144N0B16	10-32 X 2 ROUND HEAD MACH. SCREW	2	2
14	14701004	5/16 UNC HEX NUT (GR B) O&P	4	4
15	14851004	5/16 LOCK WASHER OIL&PHOS	4	4
16	15060042	10-32 KEP NUT	2	2
17	800A0303	FOR STANDARD AIR CONTROL BOX - LOOSE PARTS KIT (SEE PG 41)....	1	-
18	800A0304	FOR STANDARD AIR CONTROL BOX - LOOSE PARTS KIT SEE PG 41)....	-	1

AIR CONTROL KIT

Integrated Air Kit - 800A0168 & 800A0169 - Current

Fits Part Numbers- 8A000684 and 8A000728

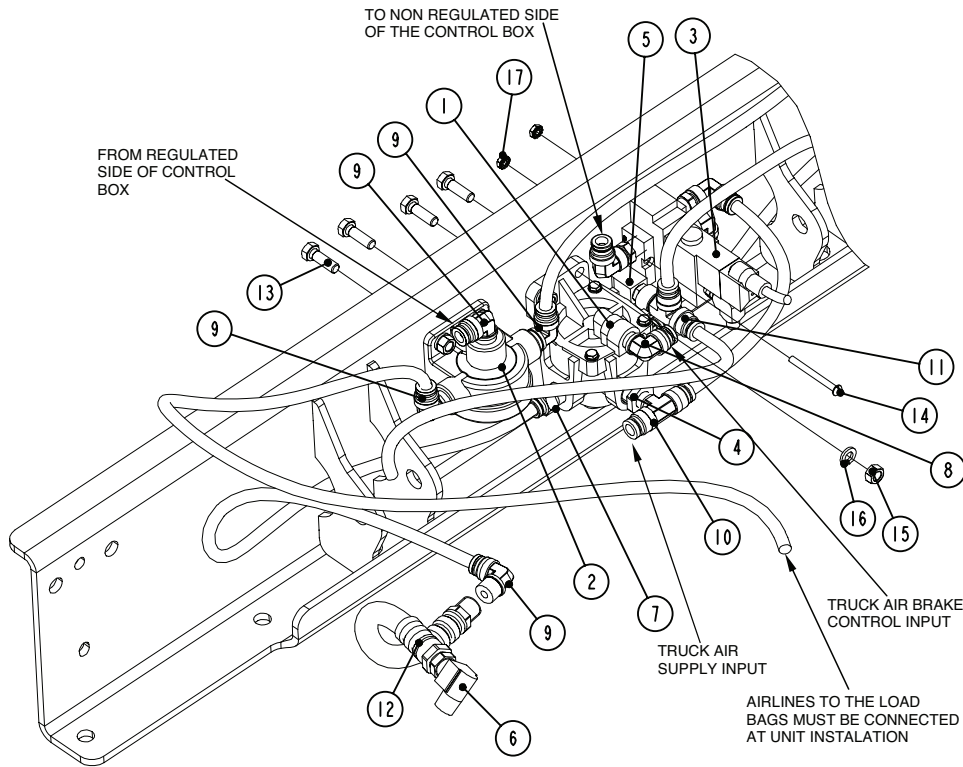
SPEC'ING

SELF-STEER
LIFT AXLES

NON-STEER
LIFT AXLES

OPTIONAL
EQUIPMENT

SERVICE
PARTS



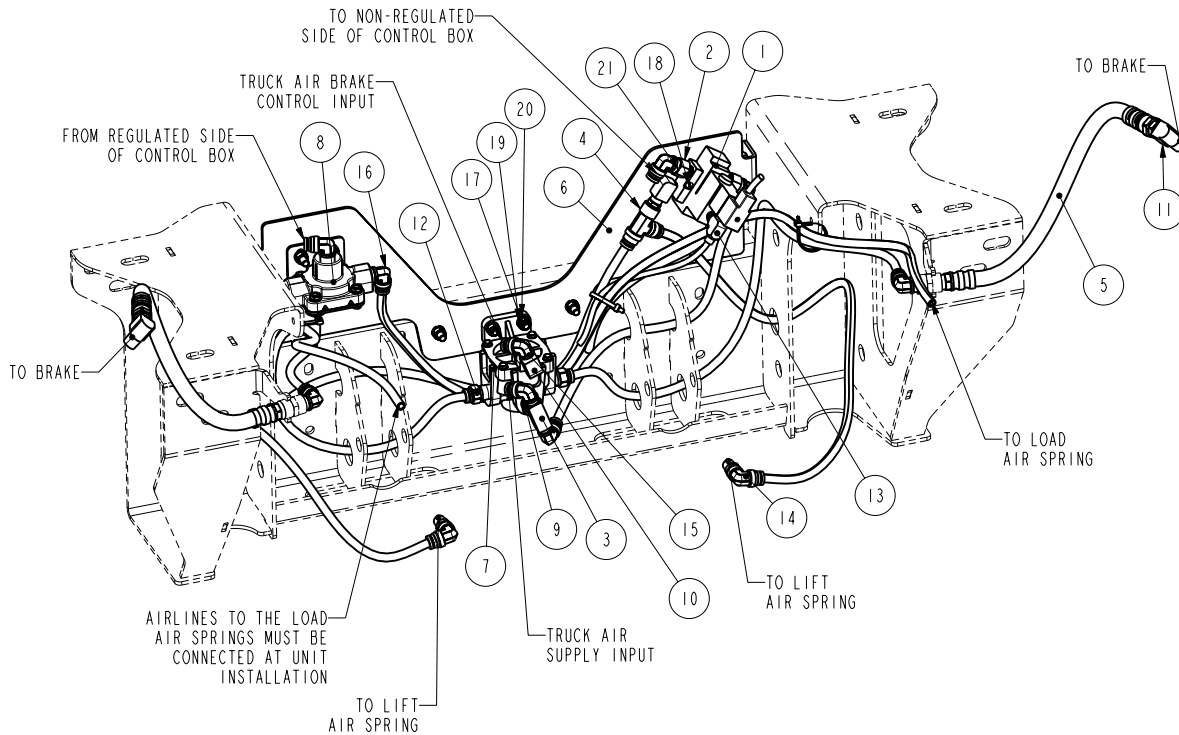
INTEGRATED AIR CONTROL KIT PART NO. 800A0168 & 800A0169 - CURRENT

ITEM	LINK PART #	PART DESCRIPTION	QTY	
			800A0168	800A0169
1	13010508	RELAY VALVE, RG-2, MIDLAND	1	1
2	13010546	VALVE-QUICK RELEASE	1	1
3	13010555	VALVE-SOLENOID, 4 WAY, 12 V	1	1
4	13022018	BUSHING-REDUCER, 1/2 M-NPT - 1/4 F-NPT	1	1
5	13022099	ELBOW, 90 STREET (1/4-NPT)	1	1
6	13022102	ELBOW, 90 STREET (3/8-NPT)	2	2
7	13025050	CONNECTOR-MALE, 3/8 TB, 3/8 NPT	2	2
8	13025104	ELBOW-3/8 TB, 1/4 M-NPT	1	1
9	13025105	ELBOW-3/8 TB, 3/8 M-NPT	5	5
10	13025143	TEE-BRANCH, 1/4 M-NPT, 3/8 TUBE	1	1
11	13025132	TEE-RUN, 1/4 M-NPT, 3/8 TUBE	1	1
12	13029972	ASSEMBLY-AIR BRAKE HOSE (26 IN.)	2	2
13	140B1008	5/16 X 1 UNC HEX CAP SCR (GR 8) O&P	4	4
14	144N0B16	10-32 X 2 ROUND HEAD MACH. SCREW	2	2
15	14701004	5/16 UNC HEX NUT (GR B) O&P	4	4
16	14851004	5/16 LOCK WASHER OIL&PHOS	4	4
17	15060042	10-32 KEP NUT	2	2
18	800A0303	FOR STANDARD AIR CONTROL BOX - LOOSE PARTS KIT (SEE PG 41)...	1	-
19	800A0304	FOR STANDARD AIR CONTROL BOX - LOOSE PARTS KIT (SEE PG 41)...	-	1

AIR CONTROL KIT

Integrated Air Kit - 800A0174 & 800A0175 - Current

Fits Part Number- 8A000723



INTEGRATED AIR CONTROL KIT PART NO. 800A00174 & 800A0175 - CURRENT

ITEM	LINK PART #	PART DESCRIPTION	QTY	
			800A0174	800A0175
1	13010555	VALVE-SOLENOID, 4 WAY, 12 V.....	1	1
2	13022127	ADAPTER-3/8 FEMALE X 1/4 MALE, BRASS.....	2	2
3	13022128	TEE-1/4", BRASS.....	1	1
4	13025132	TEE-RUN, 1/4 M-NPT, 3/8 TUBE.....	1	1
5	13029972	ASSEMBLY-AIR BRAKE HOSE (26 IN.).....	2	2
6	80002292	PLATE-INTEGRATED AIR MOUNT.....	1	1
7	13010508	RELAY VALVE, RG-2, MIDLAND.....	1	1
8	13010546	VALVE-QUICK RELEASE.....	1	1
9	13022018	BUSHING-REDUCER, 1/2 M-NPT - 1/4 F-NPT.....	1	1
10	13022099	ELBOW, 90 STREET (1/4-NPT).....	2	2
11	13022102	ELBOW, 90 STREET (3/8-NPT).....	2	2
12	13025050	CONNECTOR-MALE, 3/8 TB, 3/8 NPT.....	2	2
13	13025090	ELBOW, 1/4 TB 1/8 M-NPT, PUSH-IN DOT.....	1	1
14	13025094	ELBOW-SWIV, 3/8 TB, 1/4 M-NPT.....	2	2
15	13025104	ELBOW-3/8 TB, 1/4 M-NPT.....	4	4
16	13025105	ELBOW-3/8 TB, 3/8 M-NPT.....	7	7
17	140B1008	5/16 X 1 UNC HEX CAP SCR (GR 8) O&P.....	8	8
18	144N0B16	10-32 X 2 ROUND HEAD MACH. SCREW.....	2	2
19	14701004	5/16 UNC HEX NUT (GR B) O&P.....	8	8
20	14851004	5/16 LOCK WASHER OIL&PHOS.....	8	8
21	15060042	10-32 KEP NUT.....	2	2
22	800A0303	KIT-INSTALL, DLII INTEGRATED AIR, STANDARD - LOOSE PARTS KIT (SEE PG 41).....	1	-
23	800A0304	KIT-INSTALL, DLII INTEGRATED AIR, SEALED - LOOSE PARTS KIT (SEE PG 41).....	-	1

SPEC'ING

SELF-STEER
LIFTAXLES

NON-STEER
LIFTAXLES

OPTIONAL
EQUIPMENT

SERVICE
PARTS

AIR CONTROL KIT

Integrated Air Control Kit - 800A0097 - Fits DuraMax 20K

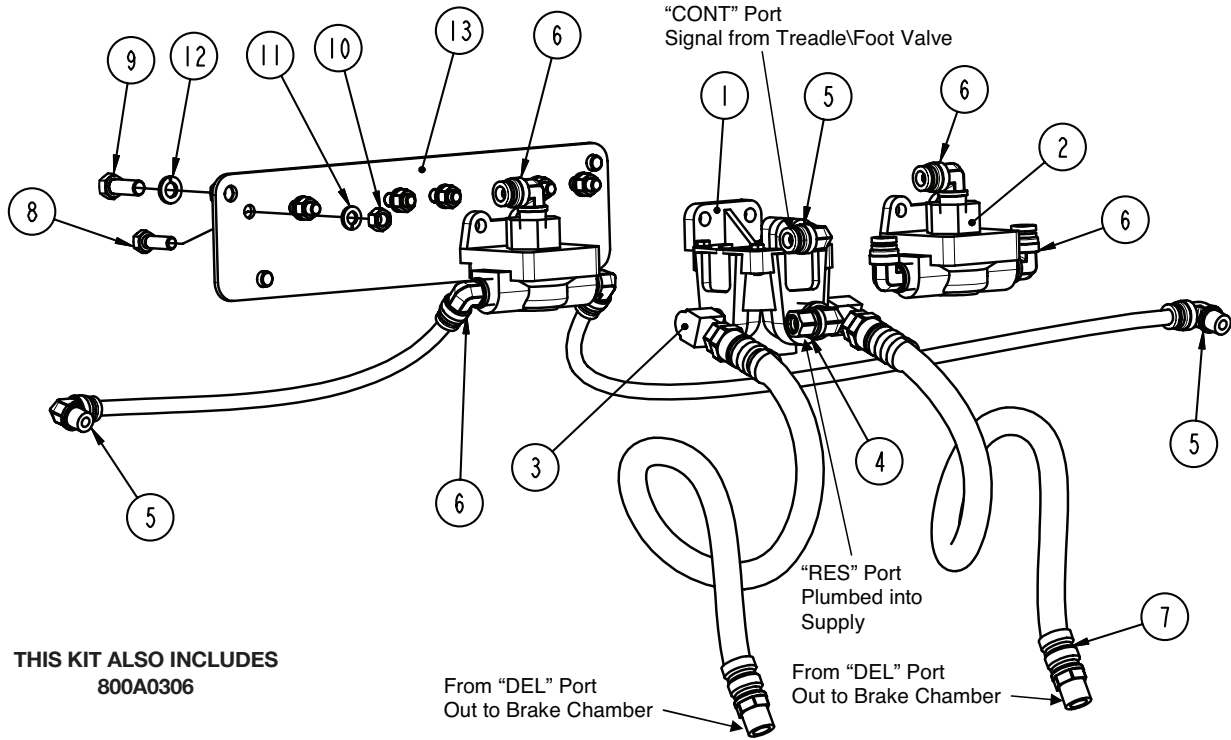
SPEC'ING

SELF-STEER
LIFT AXLES

NON-STEER
LIFT AXLES

OPTIONAL
EQUIPMENT

SERVICE
PARTS

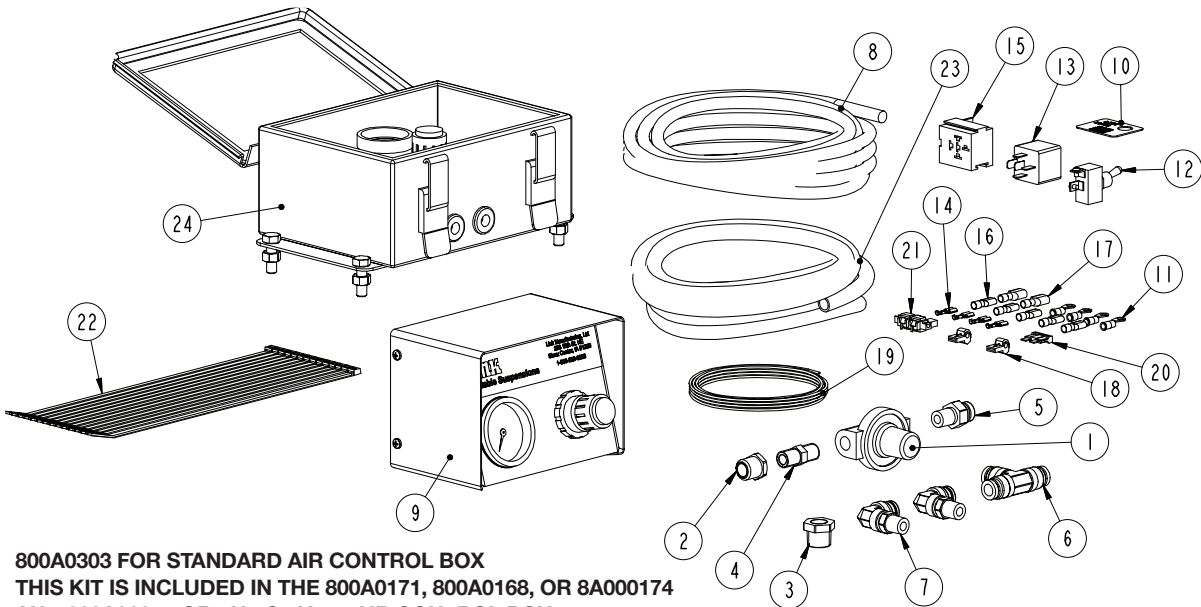


INTEGRATED AIR PART NO. 800A0097 - CURRENT

ITEM	LINK PART #	PART DESCRIPTION	QTY
1	13010508	RELAY VALVE, RG-2, MIDLAND	1
2	13010554	VALVE-QUICK RELEASE	2
3	13022102	ELBOW, 90 STREET (3/8-NPT)	2
4	13024041	ELBOW-3/8 TB, 1/2 M-NPT	1
5	13025104	ELBOW-3/8 TB, 1/4 M-NPT	3
6	13025105	ELBOW-3/8 TB, 3/8 M-NPT	6
7	13029972	ASSEMBLY-AIR BRAKE HOSE (26 IN.)	2
8	140B1008	5/16 X 1 UNC HEX CAP SCR (GR 8) O&P	6
9	140B1208	3/8 X 1 UNC HEX CAP SCR (GR 8) O&P	4
10	14701004	5/16 UNC HEX NUT (GR B) O&P	6
11	14851004	5/16 LOCK WASHER OIL&PHOS	6
12	14851200	3/8 LOCK WASHER	4
13	800A0099	PANEL-MOUNT, VALVE	1
14	800A0306	INSTALLATION KIT (SEE PG 42).....	1

PARTS KIT

Integrated Air Parts Kit - 800A0303 & 800A0304 - Current



800A0303 FOR STANDARD AIR CONTROL BOX
THIS KIT IS INCLUDED IN THE 800A0171, 800A0168, OR 8A000174
AND 800A0304 FOR THE SEALED AIR CONTROL BOX
THIS KIT IS INCLUDED IN THE 800A0172, 800A0169, OR 8A000175

PARTS KIT PART NO. 800A0303 & 800A0304 - CURRENT

ITEM	LINK PART #	PART DESCRIPTION	QTY	
			800A0303	800A0304
1	13010084	VALVE-PRESSURE PROTECTION	1	1
2	13022016	BUSHING-REDUCER 3/8 M-NPT TO 1/4 F-NPT	1	1
3	13022018	BUSHING-REDUCER, 1/2 M-NPT - 1/4 F-NPT	1	1
4	13022065	HEX NIPPLE, 1/4 M-NPT	1	1
5	13025049	CONNECTOR-MALE, 3/8 TB, 1/4 NPT	1	1
6	13025061	TEE-UNION, 3/8 TUBE	1	1
7	13025094	ELBOW-SWIV, 3/8 TB, 1/4 M-NPT	2	2
8	13034000	3/8 AIRLINE	65.5 FT	65.5 FT
9	13501011	AIR CONTROL BOX ASSEMBLY	1	-
10	15001318	PLATE-SWITCH, LIFT	1	1
11	15050055	TERMINAL-RING, #10 STUD, 14-16	4	4
12	15050350	SWITCH-TOGGLE	1	1
13	15050351	RELAY	1	1
14	15050353	CONNECTOR-PUSH-ON, FEMALE	4	4
15	15050354	RELAY BASE	1	1
16	15051100	CONNECTOR-SLIDE, FEMALE, 14-16	5	5
17	15051101	CONNECTOR-SLIDE, MALE, 14-16	2	2
18	15051250	T-TAP, 14-18	2	2
19	15051505	WIRE-PRIMARY, 14 GA. GPT (BLACK) 30 FT.	1	1
20	15051868	FUSE-AUTOMOTIVE, 10 AMP	1	1
21	15051884	HOLDER-FUSE, AUTOMOTIVE, 14-18	1	1
22	15060081	NYLON CABLE TIE, 11" LONG	14	14
23	15092000	0.375 CORRUGATED LOOM (120.0")	14.0 FT	14.0 FT
24	800A0051	KIT-CONTROL, AIR	-	1
24A	80000098	BOX ONLY, DRILLED	-	-
24B	15000877	BOX ONLY, UNDRILLED	-	-

SPEC'ING

SELF-STEER
LIFT AXLES

NON-STEER
LIFT AXLES

OPTIONAL
EQUIPMENT

SERVICE
PARTS

PARTS KIT

Parts Kit - 800A0306

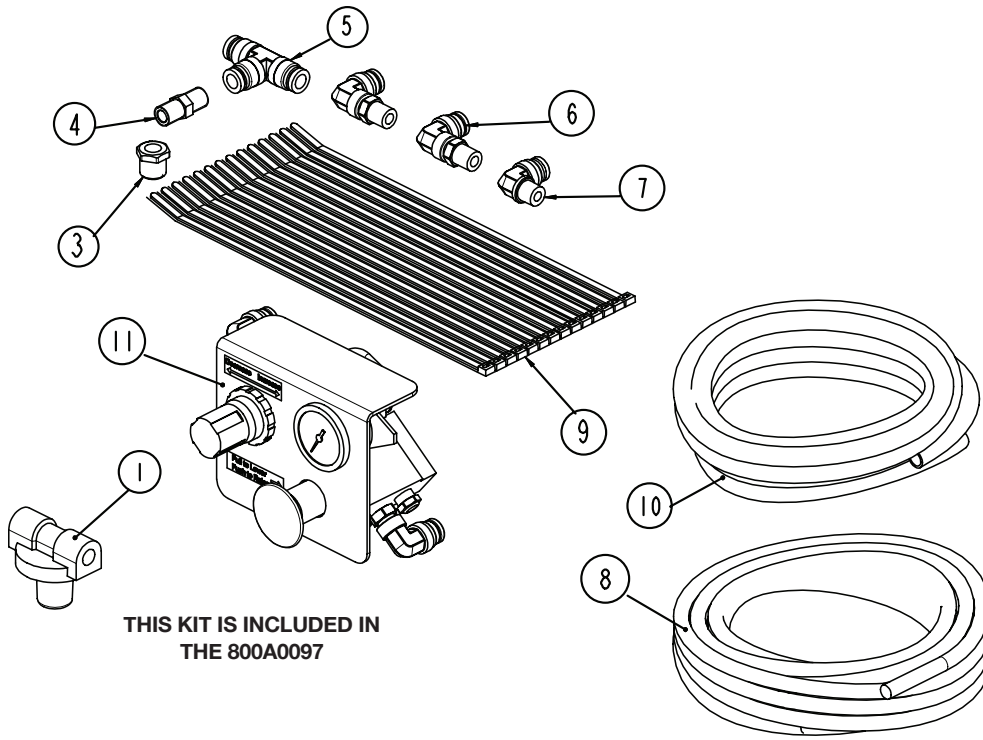
SPEC'ING

SELF-STEER
LIFT AXLES

NON-STEER
LIFT AXLES

OPTIONAL
EQUIPMENT

SERVICE
PARTS



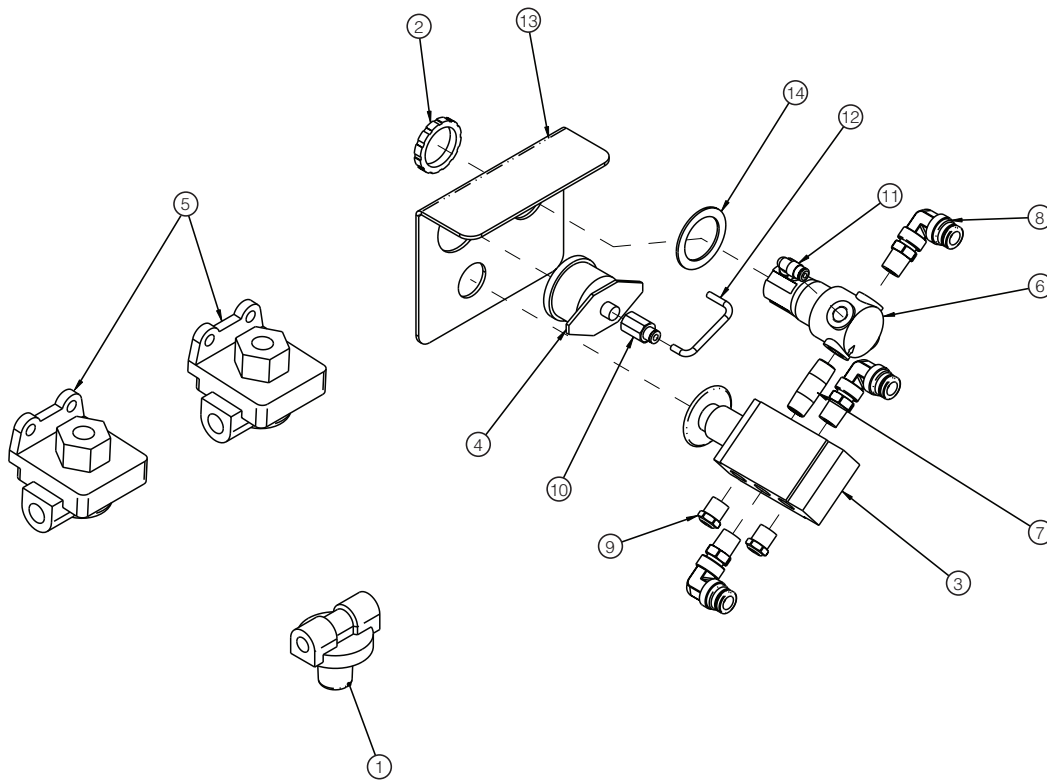
THIS KIT IS INCLUDED IN
THE 800A0097

PARTS KIT PART NO. 800A0306 - CURRENT

ITEM	LINK PART #	PART DESCRIPTION	QTY
1	13010084	VALVE-PRESSURE PROTECTION	1
3	13022016	BUSHING-REDUCER 3/8 M-NPT TO 1/4 F-NPT	1
4	13022065	HEX NIPPLE, 1/4 M-NPT	1
5	13025061	TEE-UNION, 3/8 TUBE	1
6	13025094	ELBOW-SWIV, 3/8 TB, 1/4 M-NPT	2
7	13025104	ELBOW-3/8 TB, 1/4 M-NPT	1
8	13034000	3/8 AIRLINE	77.6 FT
9	15060081	NYLON CABLE TIE, 11" LONG	14
10	15092000	0.375 CORRUGATED LOOM (120.0")	10.0 FT
11	800A0307	CONTROL PANEL, AIR/AIR (SEE PG 54 FOR PARTS)	1

AIR CONTROL KIT

Air Over Air Control Kit - 800A0098 - Fits all Non-Steer Applications



AIR OVER AIR CONTROL KIT PART NO. 800A0098 - CURRENT

ITEM	LINK PART #	PART DESCRIPTION	QTY
1	13010084	VALVE-PRESSURE PROTECTION	1
2	13010505	PANEL NUT	1
3	13010551	VALVE-4 WAY	1
4	13010553	GAUGE-PRESSURE, AIR (0 TO 150 PSI)	1
5	13010554	VALVE-QUICK RELEASE	2
6	13010560	REGULATOR-AIR PRESSURE.....	1
7	13022045	NIPPLE 1 1/2 X 1/4	1
8	13025094	ELBOW-SWIV, 3/8 TB, 1/4 M-NPT	3
9	13029989	BREATHER VENT, 1/4 M-NPT	2
10	13025492	CONNECTOR-FEMALE, 5/32 TB, 1/4 NPT.....	1
11	13025493	ELBOW-SWIV, 5/32 TB, 1/4 M-NPT	1
12	13029965	HOSE, 5/32, BLK POLYPROPYLENE, 4"	1
13	80000386	PANEL-CONTROL.....	1
14	80001513	SHIM-REGULATOR.....	1

SPEC'ING

SELF-STEER
LIFT AXLES

NON-STEER
LIFT AXLES

OPTIONAL
EQUIPMENT

SERVICE
PARTS

AIR CONTROL KIT

Standard Air Control Kit - 1350-1004 - Fits All Applications

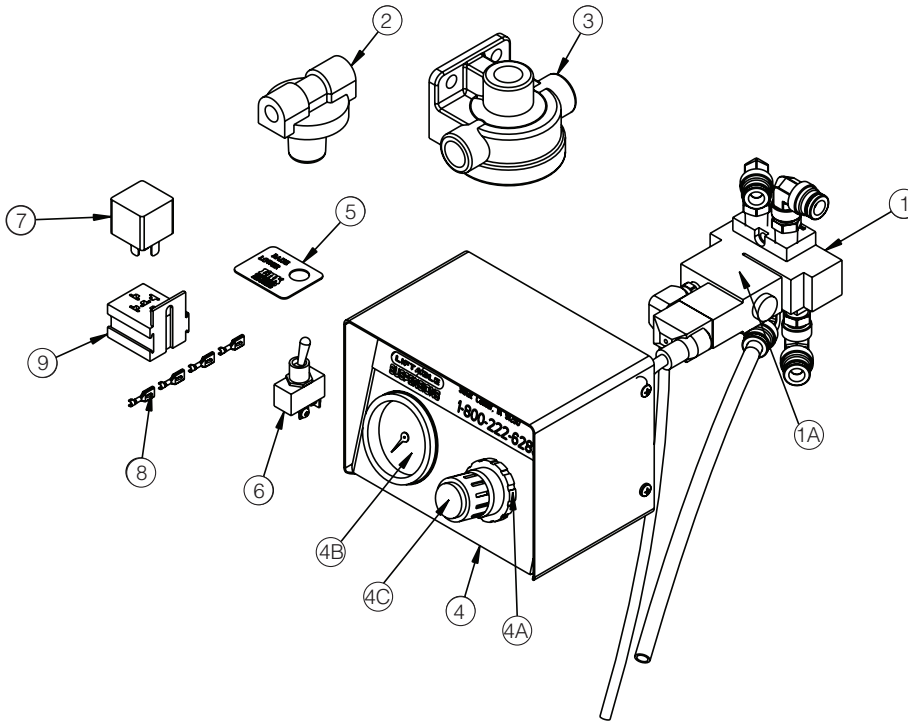
SPEC'ING

SELF-STEER
LIFT AXLES

NON-STEER
LIFT AXLES

OPTIONAL
EQUIPMENT

SERVICE
PARTS

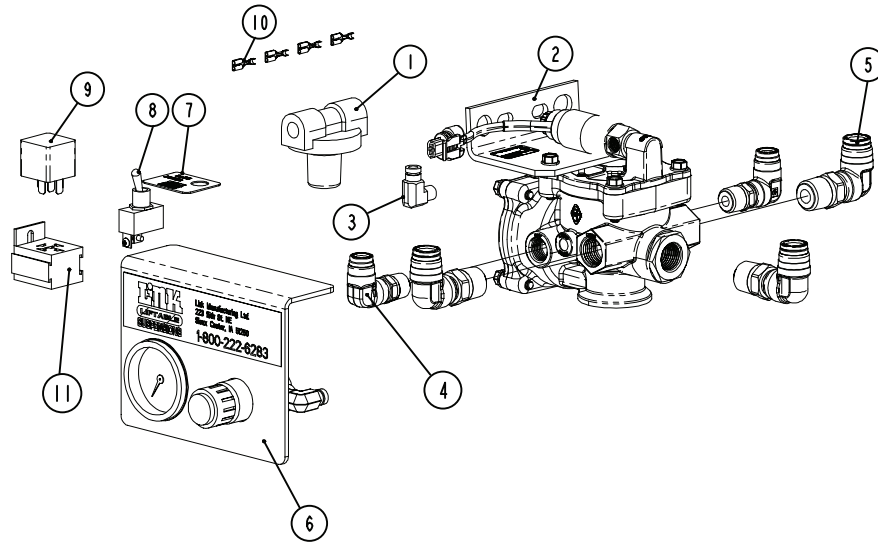


STANDARD AIR CONTROL KIT PART NO. 1350-1004 - CURRENT

ITEM	LINK PART #	PART DESCRIPTION	QTY
1	13010555	VALVE-SOLENOID, ASSEMBLY	1
1A	13010557	25' PIG-TAIL CABLE	1
2	13010084	VALVE-PRESSURE PROTECTION	1
3	13010546	VALVE-QUICK RELEASE	1
4	13501011	AIR CONTROL BOX ASSEMBLY	1
4A	13010505	PANEL NUT	1
4B	13010506	GAUGE (0 TO 100 PSI)	1
4C	13010504	REGULATOR	1
5	15001318	PLATE-SWITCH, LIFT	1
6	15050350	SWITCH-TOGGLE, HI STEER.....	1
7	15050351	RELAY	1
8	15050353	CONNECTOR-PUSH-ON, FEMALE	4
9	15050354	RELAY BASE	1

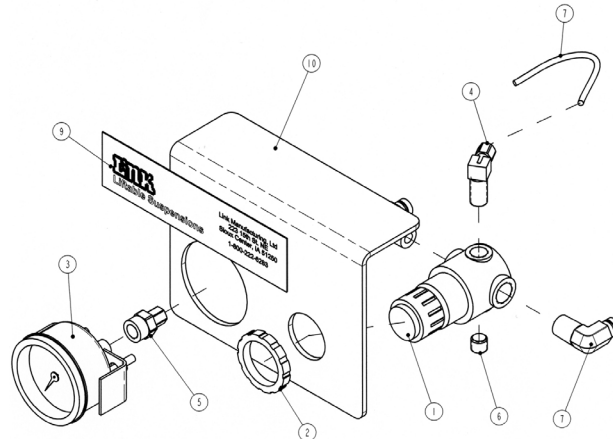
AIR CONTROL KITS

GT Air Control Kit - 13501019 - Fits all Applications



GT AIR CONTROL KIT PART NO. 1350-1019 - CURRENT

ITEM	LINK PART #	PART DESCRIPTION	QTY
1	13010084	VALVE-PRESSURE PROTECTION	1
2	13010571	LIFT AXLE CONTROL MODULE	1
3	13025100	ELBOW, 1/4 TB 1/8 M-NPT, PUSH-IN DOT	1
4	13025095	ELBOW-SWIV 90 - 3/8" TB X 3/8 MNPT DOT	2
5	13025099	ELBOW-SWIV 90 - 1/2" TB X 1/2 MNPT DOT	3
6	13501018	AIR CONTROL ASSEMBLY	1
7	15001318	PLATE-SWITCH, LIFT	1
8	15050350	SWITCH-TOGGLE	1
9	15050351	RELAY	1
10	15050353	CONNECTOR-PUSH-ON, FEMALE	4
11	15050354	RELAY BASE	1



PART NUMBER 13501018 - CURRENT

ITEM	LINK PART #	PART DESCRIPTION	QTY
1	13010504	REGULATOR - AIR PRESSURE.....	1
2	13010505	PANEL NUT	1
3	13010506	GAUGE - AIR PRESSURE	1
4	13020101	MALE ELBOW, 1/8 TB 1/8 M-NPT	1
5	13021044	CONNECTOR, 1/8 TB 1/8 F-NPT	1
6	13029990	HEX SOCKET PLUG - 1/8 M-NPT, STEEL	1
7	13025101	ELBOW, 1/4 TB 1/4 M-NPT DOT.....	2
8	13031000	AIRLINE, 0.125 BULK NYLON.....	5 FT
9	15001320	DECAL - LIFTABLE SUSPENSIONS.....	1
10	80001915	PANEL, CONTROL.....	1

SPEC'ING

SELF-STEER
LIFT AXLES

NON-STEER
LIFT AXLES

OPTIONAL
EQUIPMENT

SERVICE
PARTS

AIR CONTROL KITS

Integrated Electric Over Air GT Control Kit - 800A0265 - Fits DuraMax 20K

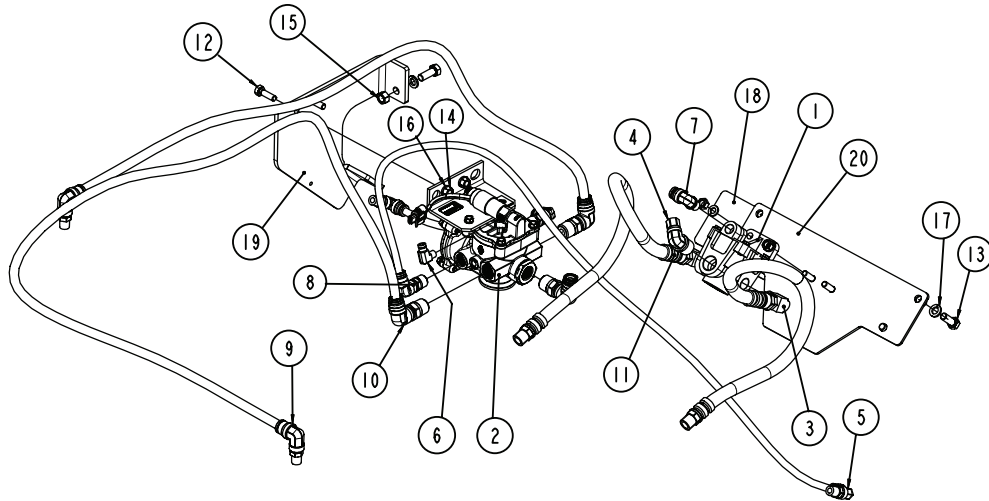
SPEC'ING

SELF-STEER
LIFT AXLES

NON-STEER
LIFT AXLES

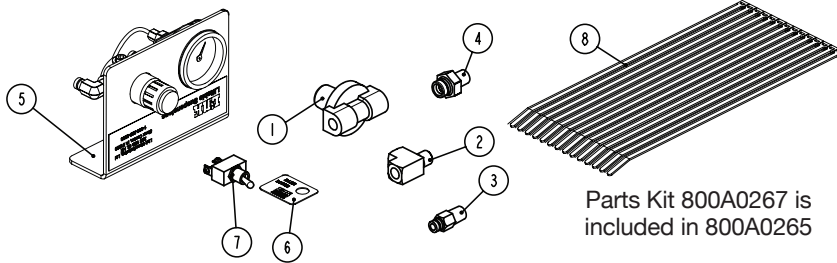
OPTIONAL
EQUIPMENT

SERVICE
PARTS



ELECTRIC OVER AIR GT CONTROL KIT PART NO. 800A0265 - CURRENT

ITEM	LINK PART #	PART DESCRIPTION	QTY
1	13010508	RELAY VALVE, RG-2, MIDLAND	1
2	13010571	LIFT AXLE CONTROL MODULE	1
3	13022102	ELBOW, 90 STREET (3/8-NPT)	2
4	13024041	ELBOW-3/8 TB, 1/2 M-NPT	1
5	13025094	ELBOW-SWIV, 3/8 TB, 1/4 M-NPT	2
6	13025100	ELBOW, 1/4 TB 1/8 M-NPT, PUSH-IN DOT	1
7	13025104	ELBOW-3/8 TB, 1/4 M-NPT	1
8	13025095	ELBOW-SWIV 90 - 3/8" TB X 3/8" MNPT DOT	2
9	13025097	ELBOW-SWIV, 1/2 TB, 1/4 M-NPT	2
10	13025099	ELBOW-SWIV 90 - 1/2" TB X 1/2" MNPT DOT	3
11	13029972	ASSEMBLY-AIR BRAKE HOSE (26 IN.)	2
12	140B1008	5/16 X 1 UNC HEX CAP SCR (GR 8) O&P	4
13	140B1208	3/8 X 1 UNC HEX CAP SCR (GR 8) O&P	6
14	14701000	5/16 UNC HEX NUT (GR B)	4
15	14701200	3/8 UNC HEX NUT (GR B)	2
16	14851000	5/16 LOCK WASHER	4
17	14851200	3/8 LOCK WASHER	6
18	80002131	MOUNT PLATE, BRAKE VALVE	1
19	80002133	BRACKET, VALVE MOUNTING	1
20	800A0262	MOUNT PLATE WELDMENT, BRAKE VALVE	1



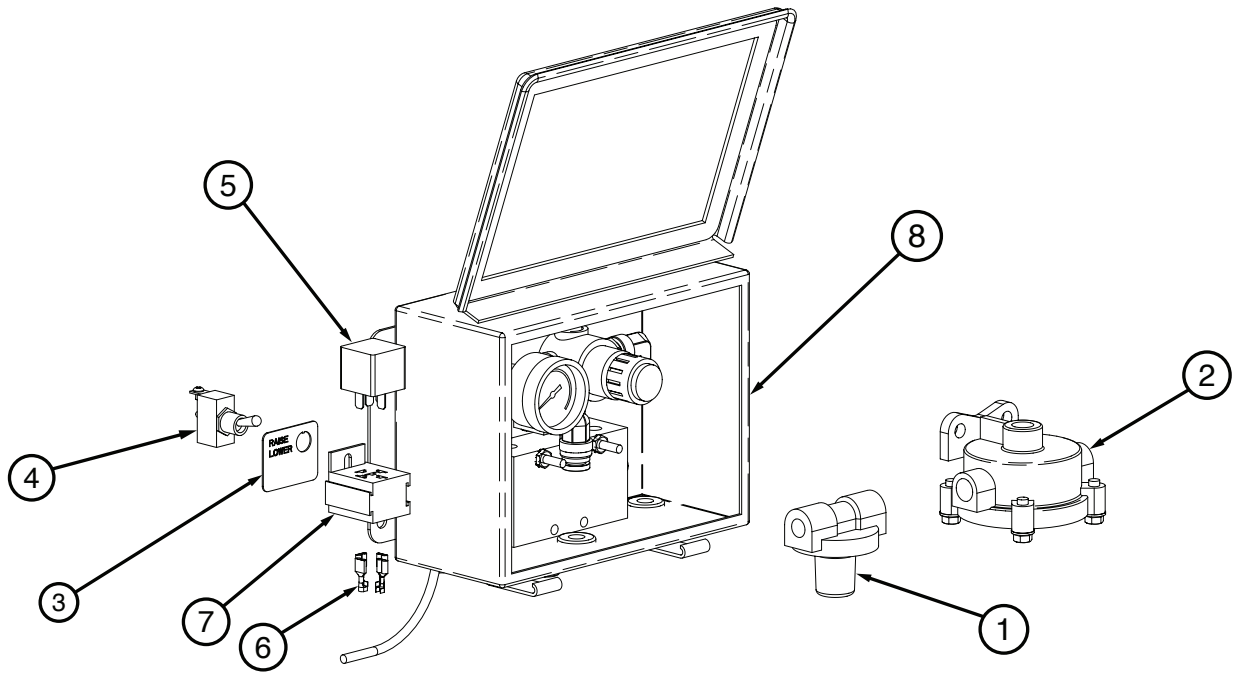
Parts Kit 800A0267 is included in 800A0265

PARTS KIT PART NO. 800A0267 - CURRENT

ITEM	LINK PART #	PART DESCRIPTION	QTY
1	13010084	VALVE-PRESSURE PROTECTION	1
2	13022123	STREET TEE, 1/4 F-NPT 1/4 M-NPT	1
3	13025046	CONNECTOR, 1/4 TB 1/4 M-NPT	1
4	13025051	CONNECTOR-MALE, 1/2 TB, 1/4 NPT	1
5	13501018	AIR CONTROL ASSEMBLY	1
6	15001318	PLATE-SWITCH, LIFT	1
7	15050350	SWITCH-TOGGLE	1
8	15060081	NYLON CABLE TIE, 11" LONG	14

AIR CONTROL KITS

Sealed Air Control Kit - 800A0034



Defaults in down position.
Relay NOT pre-wired in box.

SEALED AIR CONTROL KIT PART NO. 800A0034 - NON-CURRENT

ITEM	LINK PART #	PART DESCRIPTION	QTY
1	13010084	VALVE-PRESSURE PROTECTION	1
2	13010503	VALVE-EXHAUST	1
3	15001318	PLATE-SWITCH, LIFT	1
4	15050350	SWITCH-TOGGLE.....	1
5	15050351	RELAY	1
6	15050353	CONNECTOR-PUSH-ON, FEMALE	4
7	15050354	RELAY BASE	1
8	800A0033	BOX-CONTROL, AIR.....	1

SPEC'ING

SELF-STEER
LIFT AXLES

NON-STEER
LIFT AXLES

OPTIONAL
EQUIPMENT

SERVICE
PARTS

AIR CONTROL KITS

Sealed Air Control Kit - 800A0263

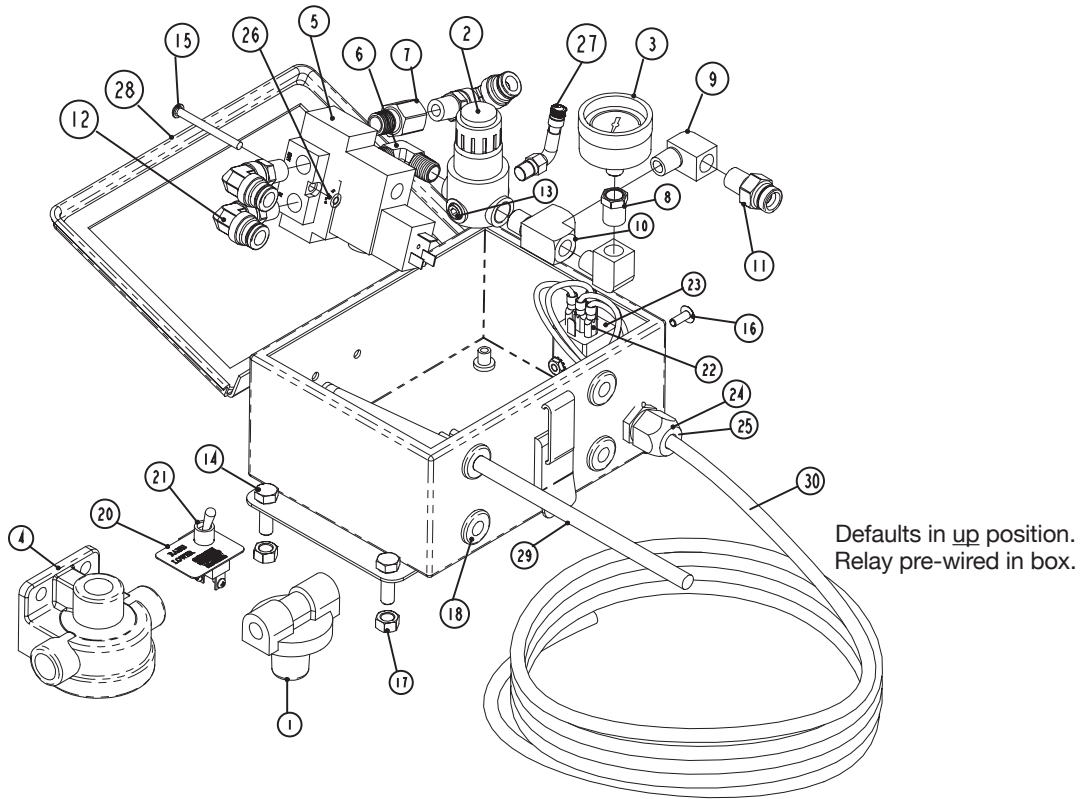
SPEC'ING

SELF-STEER
LIFT AXLES

NON-STEER
LIFT AXLES

OPTIONAL
EQUIPMENT

SERVICE
PARTS

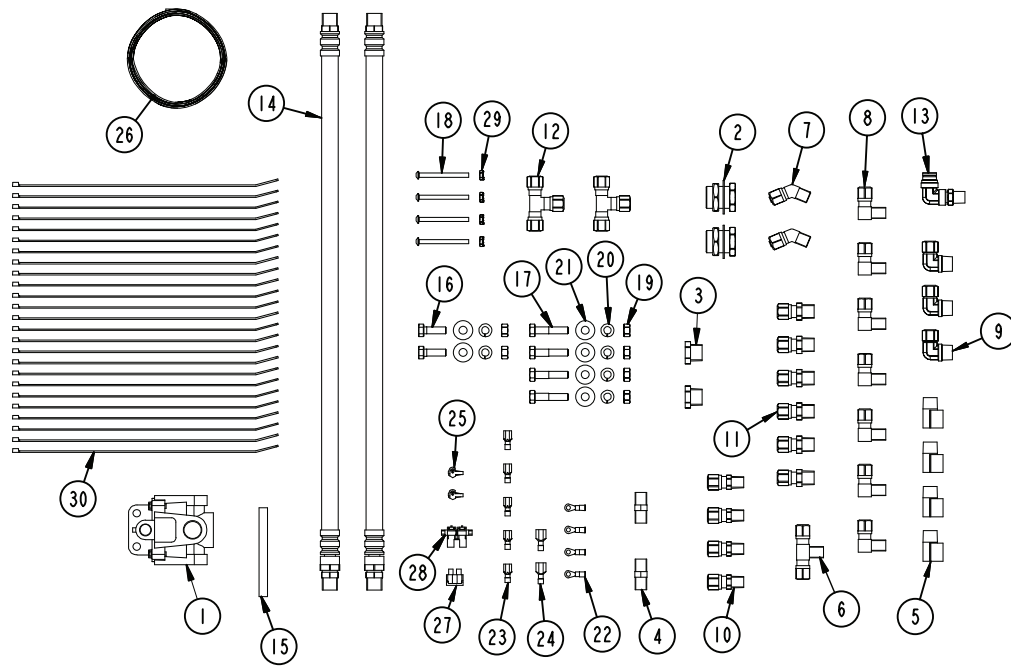


SEALED AIR CONTROL KIT PART NO. 800A0263 - CURRENT

ITEM	LINK PART #	PART DESCRIPTION	QTY
1	13010084	VALVE-PRESSURE PROTECTION	1
2	13010504	REGULATOR-AIR PRESSURE	1
3	13010545	GAUGE-PRESSURE, AIR	1
4	13010546	VALVE-QUICK RELEASE	1
5	13010555	VALVE-SOLENOID, 4 WAY, 12V	1
6	13012127	ELBOW-90 DEG., 1/4 M-NPT	1
7	13012128	ADAPTER-1/4 NPT	1
8	13022014	REDUCER, 1/8 F-NPT, 1/4 M-NPT	1
9	13022099	ELBOW, 90 STREET (1/4-NPT).....	2
10	13022123	STREET TEE, 1/4 F-NPT 1/4 M-NPT.....	1
11	13025049	CONNECTOR-MALE, 3/8 TB, 1/4 NPT	1
12	13025094	ELBOW-SWIV, 3/8 TB, 1/4 M-NPT	3
13	13029990	HEX SOCKET PLUG-1/8 M-NPT, STEEL	1
14	14011008	5/16 X 1 UNC HEX CAP SCR (GR 5).....	4
15	144N0B16	10-32 X 2 ROUND HEAD MACH. SCREW	2
16	144P0B04	10-32 X 1/2 TRUSS HEAD MAC. SCREW	1
17	14761000	5/16 UNC HEX CTR LOCK NUT (GR B).....	4
18	15000308	GROMMET-RUBBER, 3/8.....	4
19	15001233	BOX (16.13 X 12.38 X 10.50).....	1
20	15001318	PLATE-SWITCH, LIFT	1
21	15050350	SWITCH-TOGGLE, HI STEER.....	1
22	15051100	CONNECTOR-SLIDE, FEMALE, 14-16	6
23	15050352	RELAY	1
24	15050360	RELIEF-STRAIN, WIRE	1
25	15050361	NUT-RELIEF, STRAIN	1
26	15060042	10-32 KEP NUT	3
27	60002019	FITTING-INLET, AIR	1
28	80002130	BOX-AIR CONTROL, SEALED.....	1
29	13034000	AIRLINE-NYLON, .375 O.D., BULK	65 FT
30	15051975	CABLE - ELECTRICAL, SJOOW 18/4	25 FT

AIR CONTROL KITS

Installation Kit - 800A0014



INSTALLATION KIT PART NO. 800A0014 - CURRENT

ITEM	LINK PART #	PART DESCRIPTION	QTY
1	13010508	RELAY VALVE, RG-2, MIDLAND	1
2	13022004	COUPLING-BULKHEAD, 3/8 F-NPT	2
3	13022018	BUSHING-REDUCER, 1/2 M-NPT - 1/4 F-NPT	2
4	13022065	HEX NIPPLE, 1/4 M-NPT	2
5	13022102	ELBOW, 90 STREET (3/8-NPT)	4
6	13024012	MALE BRANCH TEE, 3/8 TB 1/4 M-NPT, DOT	1
7	13024021	ELBOW 45, 3/8 TB, 1/4 M-NPT, DOT	2
8	13024039	MALE ELBOW, 3/8 TB 1/4 M-NPT, DOT	7
9	13024040	ELBOW-3/8 TB, 3/8 M-NPT	3
10	13024073	CONNECTOR, 3/8 TB 1/4 M-NPT, DOT	4
11	13024074	CONNECTOR, 3/8 TB 3/8 M-NPT, DOT	6
12	13024084	TEE, 3/8 UNION, DOT	2
13	13025094	ELBOW-SWIV, 3/8 TB, 1/4 M-NPT	1
14	13029972	ASSEMBLY-AIR BRAKE HOSE (26 IN.)	2
15	13034000	AIRLINE-NYLON, .375 O.D., BULK	65 FT
16	140B1008	5/16 X 1 UNC HEX CAP SCR (GR 8) O&P	2
17	140B1012	5/16 X 1 1/2 UNC HEX CAP SCR (GR 8) O&P	4
18	144N0B18	10-32 X 2 1/4 ROUND HEAD MACH. SCREW	4
19	14701004	5/16 UNC HEX NUT (GR B) O&P	6
20	14851004	5/16 LOCK WASHER OIL&PHOS	6
21	14871000	5/16 TYPE A PLAIN WASHER	6
22	15050055	TERMINAL-RING, #10 STUD, 14-16	4
23	15051100	CONNECTOR-SLIDE, FEMALE, 14-16	5
24	15051101	CONNECTOR-SLIDE, MALE, 14-16	2
25	15051250	T-TAP, 14-18	2
26	15051505	WIRE-PRIMARY, 14 GA. GPT (BLACK) 30 FT.	1
27	15051868	FUSE-AUTOMOTIVE, 10 AMP	1
28	15051884	HOLDER-FUSE, AUTOMOTIVE, 14-18	1
29	15060042	10-32 KEP NUT	4
30	15060081	NYLON CABLE TIE, 11" LONG	25

SPEC'ING

SELF-STEER
LIFT AXLES

NON-STEER
LIFT AXLES

OPTIONAL
EQUIPMENT

SERVICE
PARTS

AIR CONTROL KITS

GT Installation Kit - 800A0256

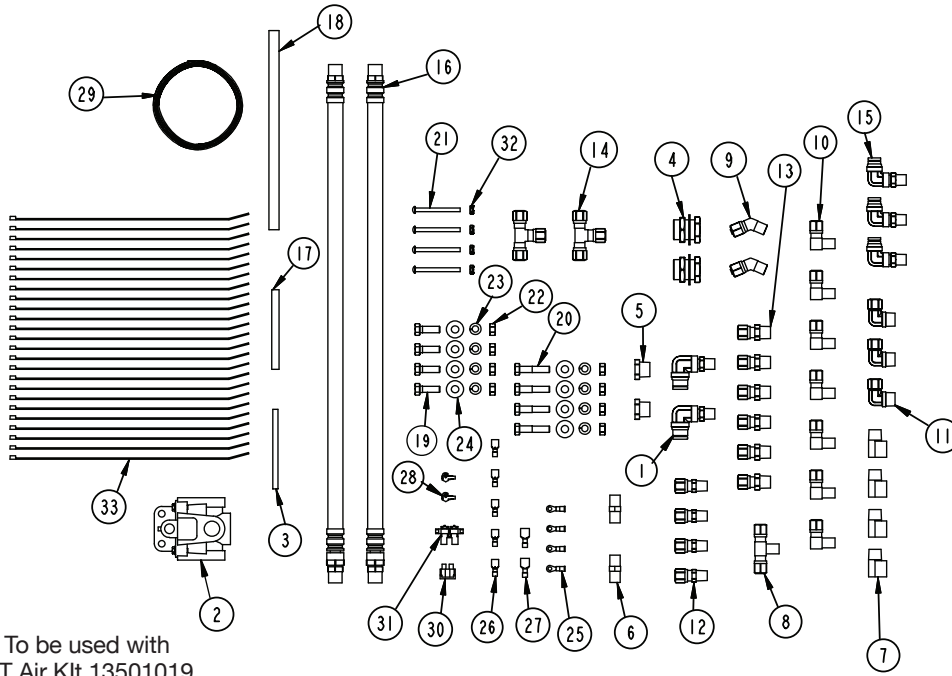
SPEC'ING

SELF-STEER
LIFT AXLES

NON-STEER
LIFT AXLES

OPTIONAL
EQUIPMENT

SERVICE
PARTS

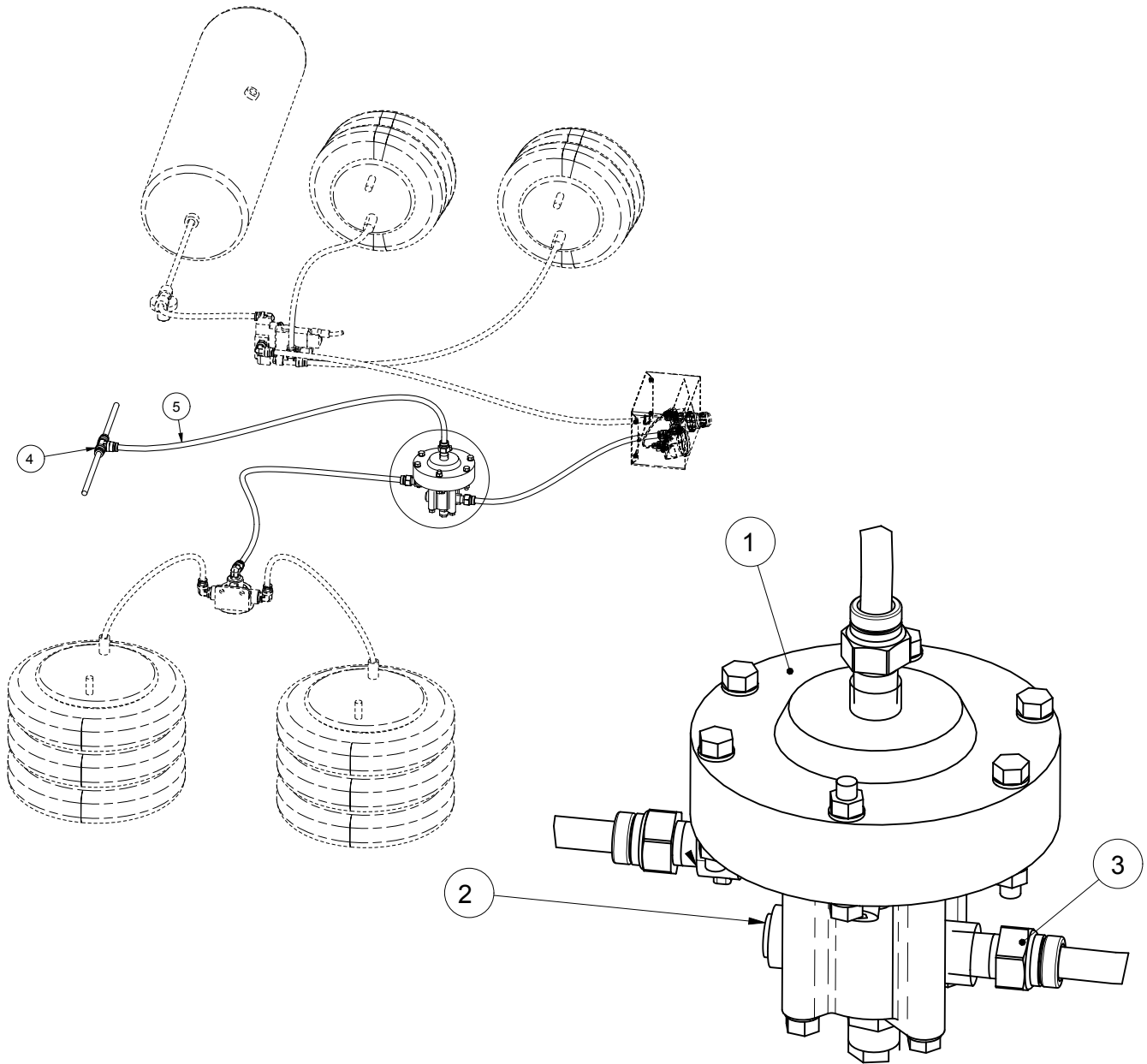


ELECTRIC OVER AIR GT CONTROL KIT PART NO. 800A0256 - CURRENT

ITEM	LINK PART #	PART DESCRIPTION	QTY
1	13025097	ELBOW-SWIV, 1/2 TB, 1/4 M-NPT	2
2	13010508	RELAY VALVE, RG-2, MIDLAND	1
3	13020090	AIRLINE-NYLON, .250 O.D., BULK	40 FT
4	13022004	COUPLING-BULKHEAD, 3/8 F-NPT	2
5	13022018	BUSHING-REDUCER, 1/2 M-NPT - 1/4 F-NPT	2
6	13022065	HEX NIPPLE, 1/4 M-NPT	2
7	13022102	ELBOW, 90 STREET (3/8-NPT)	4
8	13024012	MALE BRANCH TEE, 3/8 TB 1/4 M-NPT, DOT	1
9	13024021	ELBOW 45, 3/8 TB, 1/4 M-NPT, DOT	2
10	13024039	MALE ELBOW, 3/8 TB 1/4 M-NPT, DOT	7
11	13024040	ELBOW-3/8 TB, 3/8 M-NPT	3
12	13024073	CONNECTOR, 3/8 TB 1/4 M-NPT, DOT	4
13	13024074	CONNECTOR, 3/8 TB 3/8 M-NPT, DOT	6
14	13024084	TEE, 3/8 UNION, DOT	2
15	13025094	ELBOW-SWIV, 3/8 TB, 1/4 M-NPT	3
16	13029972	ASSEMBLY-AIR BRAKE HOSE (26 IN.)	2
17	13034000	AIRLINE-NYLON, .375 O.D., BULK	20 FT
18	13035000	AIRLINE-NYLON, .500 O.D., BULK	50 FT
19	140B1008	5/16 X 1 UNC HEX CAP SCR (GR 8) O&P	4
20	140B1012	5/16 X 1 1/2 UNC HEX CAP SCR (GR 8) O&P	4
21	144N0B18	10-32 X 2 1/4 ROUND HEAD MACH. SCREW	4
22	14701004	5/16 UNC HEX NUT (GR B) O&P	8
23	14851004	5/16 LOCK WASHER OIL&PHOS	8
24	14871000	5/16 TYPE A PLAIN WASHER	8
25	15050055	TERMINAL-RING, #10 STUD, 14-16	4
26	15051100	CONNECTOR-SLIDE, FEMALE, 14-16	5
27	15051101	CONNECTOR-SLIDE, MALE, 14-16	2
28	15051250	T-TAP, 14-18	2
29	15051505	WIRE-PRIMARY, 14 GA. GPT (BLACK) 30 FT.	1
30	15051868	FUSE-AUTOMOTIVE, 10 AMP	1
31	15051884	HOLDER-FUSE, AUTOMOTIVE, 14-18	1
32	15060042	10-32 KEP NUT	4
33	15060081	NYLON CABLE TIE, 11" LONG	25

RATIO RELAY VALVE

The Ratio Relay Valve is to be used when the drive axle(s) have air suspensions, especially on single axles. This helps insure that the auxiliary axle will not over-power the drive axle(s).



SPEC'ING

SELF-STEER
LIFT AXLES

NON-STEER
LIFT AXLES

OPTIONAL
EQUIPMENT

SERVICE
PARTS

RATIO RELAY VALVE KIT PART NO. 13501016

ITEM	LINK PART #	PART DESCRIPTION	QTY
1	13010531	VALVE, RATIO RELAY.....	1
2	13022077	AIR FTG/PLUG (1/4 NPT).....	2
3	13025049	CONNECTOR, 3/8 TB 1/4 M-NPT, DOT.....	3
4	13025061	TEE, 3/8 UNION, DOT.....	1
5	13034000	AIRLINE-NYLON, .375 O.D., BULK.....	10 FT

OTHER OPTIONS

Dust Shield Kits and Model 5500 17k Upgrade Kit

SPEC'ING

SELF-STEER
LIFTAXLES

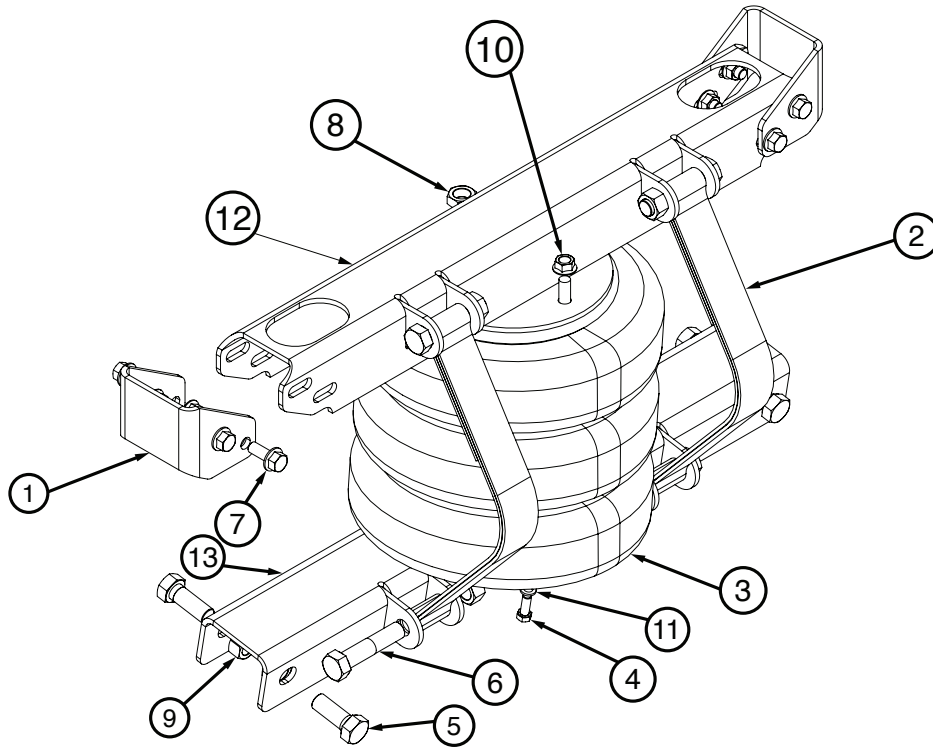
NON-STEER
LIFTAXLES

OPTIONAL
EQUIPMENT

SERVICE
PARTS

DUST SHIELD KIT

PART NO.	SUSPENSION	QTY PER AXLE
84001682	DURALIFT II 13.2K	2
84002030	DURAMAX 20K & 5500	2
84002029	DURALIFT II 20K	2



MODEL 5500 17K UPGRADE KIT PART NO. 800A0044 - CURRENT

ITEM	LINK PART #	PART DESCRIPTION	QTY
1	80000171	BRACKET-MOUNT, FRAME.....	2
2	80000179	STRAP-OVER EXTENSION.....	2
3	11030056	SPRING-AIR	1
4	140A1208	3/8 X 1 UNC HEX CAP SCR (GR 5) O&P.....	2
5	140B2416	3/4 X 2 UNC HEX CAP SCR (GR 8) O&P.....	4
6	140B2428	3/4 X 3 1/2 UNC HEX CAP SCR (GR 8) O&P	4
7	141A1610	1/2 X 1 1/4 UNC FLANGE BOLT (GR 8) O&P	8
8	14752402	3/4 UNF HEX JAM NUT, O&P	1
9	14762406	3/4 UNC HEX TOP LOCK NUT (GR C) O&P.....	8
10	14801604	1/2 UNC TOP LOCK FL NUT (GR G) O&P	9
11	14851204	3/8 LOCK WASHER O&P.....	2
12	80010041	BRACKET-MOUNT, AUX. AIR SPRING	1
13	800A0042	BRACKET-MOUNT, AUX. AIR SPRING	1

SPEC'ING

SELF-STEER

	<u>PAGE</u>
Model 9000 - 13.2K.....	57
Model 6000 - 13.2K.....	58-59
Model 6000 - 16K.....	60
Model 6000 - 20K.....	61
Model 6001 - 13.2K.....	62-63
Model 6002 - 13.2K.....	64-65
Model 6003 - 13.2K.....	66
Model 6000 Roll-off.....	67-68
DuraLift II - 8K - non-current.....	70-75
DuraLift II - 8K - current.....	76-77
DuraLift II - 13K non-current.....	78
DuraLift II - 13.2K - non-current.....	79-85
SS-135 - 13.5K - current.....	86-87
DuraLift II - 20K - non-current.....	88
DuraLift II - 20K - non-current.....	89
DuraLift II - 20K - current.....	90
DuraLift II - 20K - current.....	91

SELF-STEER
LIFT AXLES

NON-STEER
LIFT AXLES

NON-STEER

	<u>PAGE</u>
Model 5000 - 20K.....	92
Model 5001 - 20K.....	93
Model 5002 - 20K.....	94
Model 5500 - 13K.....	95
DuraMax - 13.2K.....	96
DuraMax - 20K.....	97

OPTIONAL
EQUIPMENT

COMPONENTS & KING PIN KITS

	<u>PAGE</u>
Components - Cross Reference Chart.....	55-56
Actuators.....	98-100
Hub & Drums.....	101-104
Connecting Arms.....	105-107
Bushing Kits.....	108-109
King Pin Kits.....	110-117
Wide Body Shock Replacement & Spacer Kit.....	118
Steering Stabilizer Kit.....	119

SERVICE
PARTS

DURALIFT

LOAD AIR SPRINGS..... FIRESTONE W01-358-7996
 LIFT AIR SPRINGS..... FIRESTONE W01-358-5900
 OUTER BEARINGS..... 3782
 INNER BEARINGS..... HM212049
 SEALS..... STEMCO 308-0836
 HUB CAPS..... STEMCO 340-4024
 HUB CAPS..... STEMCO 340-4249
 BRAKE CHAMBER..... TYPE 20
 BRAKE SIZE..... 15 X 4
 SLACK ADJUSTERS..... DANA 809754
 CAMSHAFT..... DANA 813488
 CAMSHAFT..... DANA 813489
 CAMSHAFT BUSHING..... DANA 1008325
 BRAKE SHOE..... DANA 818570
 BRAKE DRUM (15" X 4")..... KIC 54224-018
 OR..... WEBB 65545B
 HUB..... KIC 00137L
 OR..... WEBB 25201--3
 STEERING SHOCK..... ARVIN 646168
 KNUCKLE KIT..... DANA

DURALIFT II 8K

LOAD AIR SPRINGS..... FIRESTONE W01-358-7996
 LIFT AIR SPRINGS..... FIRESTONE W01-095-0437
 OR..... CONTITECH 975N
 FOR THE 8A000499
 LIFT AIR SPRINGS..... CONTECH 65148
 FOR 8A000711
 OUTER BEARINGS..... TIMKEN 25877
 OUTER RACE..... TIMKEN 25820
 INNER BEARINGS..... TIMKEN JM207049A
 INNER RACE..... TIMKEN JM207010
 SEALS..... SKF529 261
 HUB CAPS..... STEMCO
 BRAKE CHAMBER..... TYPE 12
 BRAKE SIZE..... 12.8 X 4
 SLACK ADJUSTERS..... ARVIN XA32754065
 CAMSHAFT..... 2210FM391
 CAMSHAFT..... 2210FM392
 CAMSHAFT BUSHING..... 1225R1136
 BRAKE SHOE..... ARVIN A3222T2126
 BRAKE PAD..... 3222Q2123
 BRAKE DRUM (12.8" x 4")..... KIC
 HUB (6 HOLE X 8.07 BC)..... KIC
 STEERING SHOCK..... ARVIN 646168
 KNUCKLE KIT..... ARVIN

DURALIFT II 13.2K

LOAD AIR SPRINGS..... FIRESTONE W01-358-7996
 LIFT AIR SPRINGS..... FIRESTONE W01-095-0437
 OR..... CONTITECH 975N
 FOR 8A000490
 LIFT AIR SPRINGS..... CONTECH 65148
 FOR 8A000712
 OUTER BEARINGS..... 3782
 INNER BEARINGS..... HM212049
 SEALS..... STEMCO 308-0836
 HUB CAPS..... STEMCO 340-4024
 HUB CAPS..... STEMCO 340-4249
 BRAKE CHAMBER..... TYPE 20
 BRAKE SIZE..... 15 X 4
 SLACK ADJUSTERS..... DANA 809754
 CAMSHAFT..... DANA 813488
 CAMSHAFT..... DANA 813489
 CAMSHAFT BUSHING..... DANA 1008325
 CAMSHAFT BUSHING REPAIR KIT..... 43-7080

BRAKE SHOE..... 1443E420 DANA 818570

BRAKE DRUM (15" X 4") FOR 22.5..... KIC 54224-018
 OR FOR 22.5..... WEBB 65545B
 FOR 19.5..... WEBB 61951B
 HUB..... KIC 00137L
 OR..... WEBB 25201--37
 BRAKE SPRING HARDWARE KIT..... HK-54
 STEERING SHOCK..... ARVIN 646168
 KNUCKLE KIT..... DANA

SS-135 13.5K

LOAD AIR SPRINGS..... Firestone W01-358-7996
 CONTITECH FT 330-29 723
 LIFT AIR SPRINGS..... FIRESTONE W01-358-6884
 CONTITECH FD 200-19 724
 OUTER BEARINGS..... 3782
 INNER BEARINGS..... HM212049
 SEALS..... STEMCO 308-0836
 HUB CAPS..... STEMCO 340-4024
 HUB CAPS..... STEMCO 340-4249
 BRAKE CHAMBER..... TYPE 20
 BRAKE SIZE..... 15 X 4
 SLACK ADJUSTERS..... BENDIX 815994
 CAMSHAFT (CW)..... BENDIX 975559
 CAMSHAFT (CCW)..... BENDIX 975558
 CAMSHAFT BUSHING KIT..... BENDIX 127808
 BRAKE LINING KIT..... BENDIX 328337
 SHOE & LINING ASSEMBLY..... BENDIX 974588
 BRAKE SPRING KIT..... BENDIX 326509
 BRAKE DRUM (15" X 4") FOR 22.5..... KIC 54224-018
 OR FOR 22.5..... WEBB 65545B
 FOR 19.5..... WEBB 61951B
 HUB..... KIC 00137L
 OR..... WEBB 25201-37
 STEERING SHOCK..... ARVIN 646168
 KNUCKLES..... DANA

DURALIFT II 20K

LOAD AIR SPRINGS..... FIRESTONE W01-358-7850
 LIFT AIR SPRINGS..... FIRESTONE W01-095-0437
 OR..... CONTITECH 975N
 FOR 8A000680
 LIFT AIR SPRINGS..... CONTECH 65148
 FOR 8A000684 and 8A000728
 OUTER BEARINGS..... 555-S
 INNER BEARINGS..... 6461A
 SEALS..... STEMCO 308-0864
 HUB CAPS..... STEMCO 340-4009
 BRAKE CHAMBER..... TYPE 30
 BRAKE SIZE..... 16.5 X 6 Q PLUS
 SLACK ADJUSTERS..... GUNITE AS1040
 CAMSHAFT -LH..... MERITOR 2210L7500, EUCLID
 E-11541
 CAMSHAFT-RH..... MERITOR 2210K7499, EUCLID
 E-11540
 CAMSHAFT BUSHING..... EUCLID E-5512
 CAMSHAFT BUSHING REPAIR KIT...EUCLID E-3993B
 OR E-5513
 BRAKE SHOE..... MERITOR A2 3222P2200,
 FLORENCE SR301 4715QP
 BRAKE DRUM (16.5" X 6)..... KIC 54248-018
 BRAKE REPAIR KIT..... EUCLID E-2769HD
 STEERING SHOCK..... ARVIN 646170
 KNUCKLE KIT..... Westport

SPEC'ING

SELF-STEER
LIFT AXLES

NON-STEER
LIFT AXLES

OPTIONAL
EQUIPMENT

SERVICE
PARTS



COMPONENTS - CONTINUED

SPEC'ING

RIDE SHOCK ARVIN 680750

MODEL 9000 - 13.2K

LOAD AIR SPRINGS FIRESTONE W01-358-7996
 LIFT AIR SPRINGS FIRESTONE W01-358-6944
 OUTER BEARINGS 3782
 INNER BEARINGS HM212049
 SEALS STEMCO 308-0836
 HUB CAPS STEMCO 340-4024
 HUB CAPS STEMCO 340-4249
 BRAKE CHAMBER TYPE 20
 BRAKE SIZE 15 X 4
 SLACK ADJUSTERS DANA 809754
 CAMSHAFT DANA 813488
 CAMSHAFT DANA 813489
 CAMSHAFT BUSHING DANA 1008325
 BRAKE SHOE DANA 818570
 BRAKE DRUM (15" X 4") KIC 54224-018
 OR WEBB 65545B
 HUB KIC 00137L
 OR WEBB 25201--3
 STEERING SHOCK ARVIN 671955
 KNUCKLE KIT 971272 DANA

MODEL 6000 - 13.2K

LOAD AIR SPRINGS FIRESTONE W01-358-8039
 LIFT AIR SPRINGS FIRESTONE W01-358-6941
 OUTER BEARINGS 3782
 INNER BEARINGS HM212049
 SEALS STEMCO 308-0836
 SEALS STEMCO 382-8036
 HUB CAPS STEMCO 340-4024
 HUB CAPS STEMCO 340-4249
 BRAKE CHAMBER TYPE 20
 BRAKE SIZE 15 X 4
 SLACK ADJUSTERS CREWSOR CB22700
 BRAKE SHOE CALL
 BRAKE DRUM KIC HP-C-851
 BRAKE DRUM KIC BS-C-957
 STEERING STABILIZER SHOCK ARVIN 646168

MODEL 6000 - 20K

LOAD AIR SPRINGS FIRESTONE W01-358-7850
 LIFT AIR SPRINGS FIRESTONE W01-358-6941
 OUTER BEARINGS HM212049
 INNER BEARINGS HM218248
 SEALS STEMCO 307-0743
 HUB CAPS STEMCO 340-4249
 BRAKE CHAMBER TYPE 30
 BRAKE SIZE 16.5 X 6
 SLACK ADJUSTERS HALDEX 409-10551
 BRAKE SHOE CALL
 STEERING STABILIZER SHOCK ARVIN 646168

MODEL 6000 - 16K

LOAD AIR SPRINGS FIRESTONE W01-358-7850
 LIFT AIR SPRINGS FIRESTONE W01-358-6941
 OUTER BEARINGS HM212049
 INNER BEARINGS HM218248
 SEALS STEMCO 307-0743
 HUB CAPS STEMCO 340-4249
 BRAKE CHAMBER TYPE 24
 BRAKE SIZE 16.5 X 5
 SLACK ADJUSTERS CREWSOR CB22700
 BRAKE SHOE CALL

Model 6000 - ROLLOFF

LOAD AIR SPRINGS FIRESTONE W01-358-8039
 LIFT AIR SPRINGS FIRESTONE W01-358-6941

OUTER BEARINGS HM212049
 INNER BEARINGS HM218248
 SEALS STEMCO 307-0743
 HUB CAPS STEMCO 340-4249
 BRAKE CHAMBER TYPE 24
 BRAKE SIZE 16.5 X 5
 SLACK ADJUSTERS CREWSOR CB22700
 BRAKE SHOE CALL

MODEL 5000 - 20K

LOAD AIR SPRINGS FIRESTONE W01-358-8039
 LIFT AIR SPRINGS FIRESTONE W01-358-6884
 OUTER BEARINGS HM212049
 INNER BEARINGS HM218248
 SEALS STEMCO 307-0743
 HUB CAPS STEMCO 340-4009
 BRAKE CHAMBER TYPE 24
 BRAKE SIZE 16.5 X 7
 SLACK ADJUSTERS DANA A28SJS00-606
 BRAKE SHOE DANA M16WN122-X

DURAMAX - 13.2K Outboard Drop Axle

LOAD AIR SPRINGS FIRESTONE W01-358-7996
 OR CONTITECH 161524
 LIFT AIR SPRINGS FIRESTONE W01-358-6884
 OR CONTITECH 161526
 OUTER BEARINGS HM212049
 INNER BEARINGS HM218248
 SEALS STEMCO 307-0743
 HUB CAPS STEMCO 340-4009
 BRAKE CHAMBER TYPE 24
 BRAKE SIZE 16.5 X 7
 SLACK ADJUSTERS CREWSOR BRUNNER MB22106
 BRAKE SHOE IMT23
 CAMSHAFT BUSHING KIT 43-7118
 CAMSHAFT LEFT M16WKL25-233
 CAMSHAFT RIGHT M16WKR25-233

DURAMAX - 20K

LOAD AIR SPRINGS FIRESTONE W01-358-8842
 LIFT AIR SPRINGS FIRESTONE W01-358-6884
 OUTER BEARINGS HM212049
 INNER BEARINGS HM218248
 SEALS STEMCO 307-0743
 HUB CAPS STEMCO 340-4009
 BRAKE CHAMBER TYPE 24
 BRAKE SIZE 16.5 X 7
 SLACK ADJUSTERS DANA A28SJS00-606
 BRAKE SHOE DANA M16WN122-X
 CAMSHAFT BUSHING KIT 43-7118
 CAMSHAFT LEFT (PUSHER) M16WKL25-233
 CAMSHAFT RIGHT (PUSHER) M16WKR25-233
 CAMSHAFT LEFT (TAG) M16WKL25-236
 CAMSHAFT RIGHT (TAG) M16WKR25-236

MODEL 5500 - 13K

LOAD AIR SPRINGS FIRESTONE W01-358-7797
 LIFT AIR SPRINGS FIRESTONE W01-358-6884
 OUTER BEARINGS HM212049
 INNER BEARINGS HM218248
 SEALS STEMCO 307-0743
 HUB CAPS STEMCO 340-4009
 BRAKE CHAMBER TYPE 24
 BRAKE SIZE 16.5 X 7
 SLACK ADJUSTERS DANA A28SJS00-606
 BRAKE SHOE DANA M16WN122-X
 20" AXLE DANA 22AX603A1288-982303
 15" AXLE DANA D22AX603A2128

SELF-STEER
LIFT AXLES

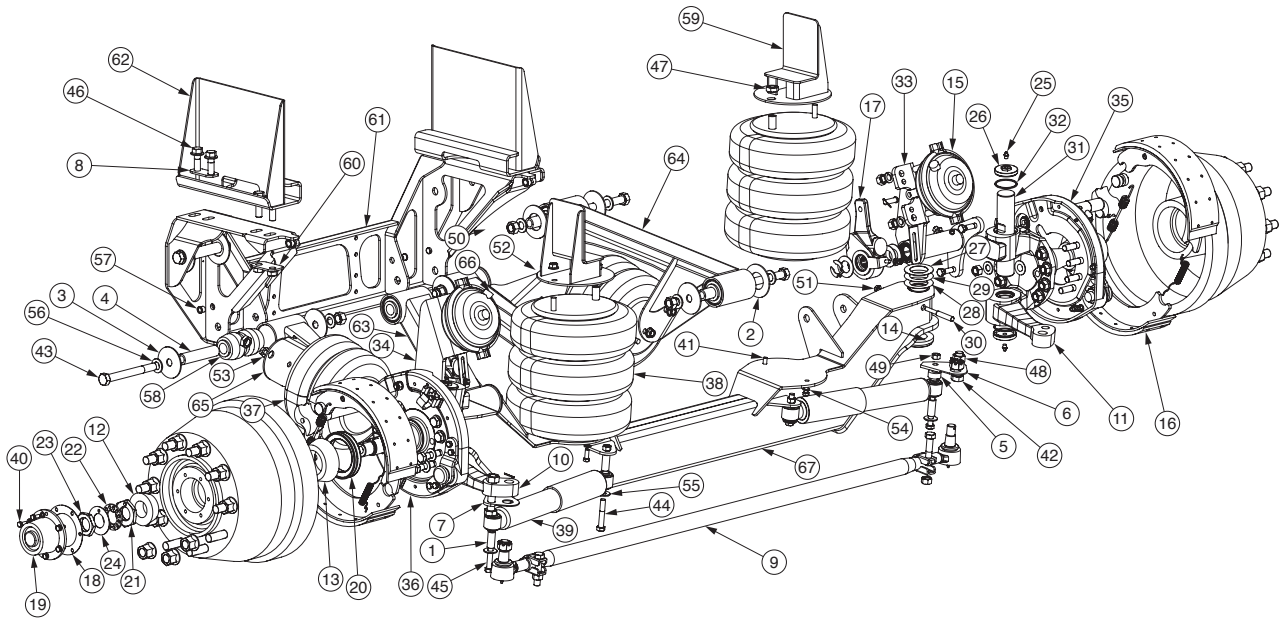
NON-STEER
LIFT AXLES

OPTIONAL
EQUIPMENT

SERVICE
PARTS

MODEL 9000 - 13.2K SELF-STEER

Link Part Numbers: (8A000481, 8A000482, 8A000483 & 8A000484 Replacement Parts)



SPEC'ING

SELF-STEER
LIFT AXLES

NON-STEER
LIFT AXLES

OPTIONAL
EQUIPMENT

SERVICE
PARTS

REPLACEMENT KIT PART NUMBERS:

KINGPIN KIT:
84001931

BUSHING KIT:
800A0077

#	PART NO	DESCRIPTION	QTY	#	PART NO	DESCRIPTION	QTY
1	80000009	BUSHING-SHOCK, ACETAL	4	35	84001926	SPIDER-BRAKE, DANA	1
2	80000130	WASHER-WEAR.....	4	36	84001927	SPIDER-BRAKE, DANA	1
3	80000131	WASHER-WEAR.....	12	37	1103-0007	SPRING-AIR.....	1
4	80000135	SPACER-TUBE.....	8	38	1103-0056	SPRING-AIR.....	1
5	80000136	SPACER-MOUNT, SHOCK	2	39	1210-0009	SHOCK-STABILIZER, STEERING	2
6	80000168	TAB-MOUNT, SHOCK	1	40	1401-1006	5/16 X 3/4 UNC HEX CAP SCR (GR 5)	12
7	80000169	TAB-MOUNT, SHOCK	1	41	1402-1208	3/8 X 1 UNC HEX CAP SCR (GR 8)	4
8	80000277	PLATE-MOUNT, BOLT	4	42	140B-2420	3/4 X 2 1/2 UNC HEX CAP SCR (GR 8) O&P	2
9	84001038	ASSEMBLY-ROD, TIE	1	43	140D-2456	3/4 X 7 UNF HEX CAP SCR (GR 8) O&P	8
10	84001224	ASSEMBLY-KNUCKLE, DANA (LEFT)	1	44	140D-1624	1/2 X 3 UNF HEX CAP SCR (GR 8) O&P	2
11	84001225	ASSEMBLY-KNUCKLE, DANA (RIGHT)	1	45	140D-1628	1/2 X 3 1/2 UNF HEX CAP SCR (GR 8) O&P	2
12	84001403	BEARING-ROLLER, CONE	2	46	141A-2016	5/8 X 2 UNC FLANGE BOLT (GR 8) O&P	8
13	84001404	BEARING-ROLLER, CONE	2	47	1475-2402	3/4 UNF HEX JAM NUT, O&P	4
14	84001432	BEARING-THRUST	2	48	1476-2406	3/4 UNC HEX TOP LOCK NUT (GR C) O&P	2
15	84001635	CHAMBER-SERVICE, TYPE 20	1	49	1477-1606	1/2 UNF HEX TOP LOCK NUT (GR C) O&P	4
16	84001653	PAD-BRAKE, DANA	4	50	1477-2406	3/4 UNF HEX TOP LOCK NUT (GR C) O&P	8
17	84001663	SLACK ADJUSTER-AUTO	2	51	1480-1204	3/8 UNC TOP LOCK FL NUT (GR G) O&P	2
18	84001683	GASKET	2	52	1480-1601	1/2 UNC TOP LOCK FL NUT (GR F)	2
19	84001684	CAP, HUB	2	53	1481-1600	1/2 UNF SERRATED FLANGE NUT	2
20	84001687	SEAL-OIL	2	54	1485-1200	3/8 LOCK WASHER	4
21	84001721	NUT-INNER, JAM	1	55	1487-1600	1/2 TYPE A PLAIN WASHER	4
22	84001722	WASHER-LOCK, SPINDLE	2	56	1488-2402	3/4 SAE HARDENED WASHER	16
23	84001723	NUT-OUTER, JAM	2	57	1500-0303	SNAP BUSHING (.250 MAT'L)	4
24	84001724	WASHER-RETAINER	2	58	1500-0870	BUSHING-PIVOT, RUBBER	8
25	84001901	FITTING-GREASE	4	59	800A0011	BRACKET-MOUNT, AIR SPRING	2
26	84001902	CAP-KNUCKLE	4	60	800A0017	STRAP-MOUNT, FASTENER	4
27	84001903	SHIM (.030)	2	61	810A0048	BRACKET-MOUNT, SUSPENSION	1
28	84001904	SHIM (.010)	2	62	810A0052	BRACKET-MOUNT, FRAME	2
29	84001905	SHIM (.005)	2	63	820A0040	ARM-CONNECTING, TOP	1
30	84001906	PIN-DRAW, LOCKING	2	64	820A0041	ARM-CONNECTING, TOP	1
31	84001907	PIN-KING, DANA	2	65	820A0042	ARM-CONNECTING, BOTTOM	1
32	84001909	SEAL-GREASE	4	66	820A0043	ARM-CONNECTING, BOTTOM	1
33	84001924	BRACKET-MOUNT, SLACK ADJUSTER	1	67	830A0004	AXLE-FAB., 13K PARALLELOGRAM	1
34	84001925	BRACKET-MOUNT, SLACK ADJUSTER	1	NS	84001910	BUSHING-KNUCKLE	4
				NS	84001911	SEAL-KNUCKLE	4

MODEL 6000 - 13.2K C-ARM SELF-STEER

9" - 11" Ride Height

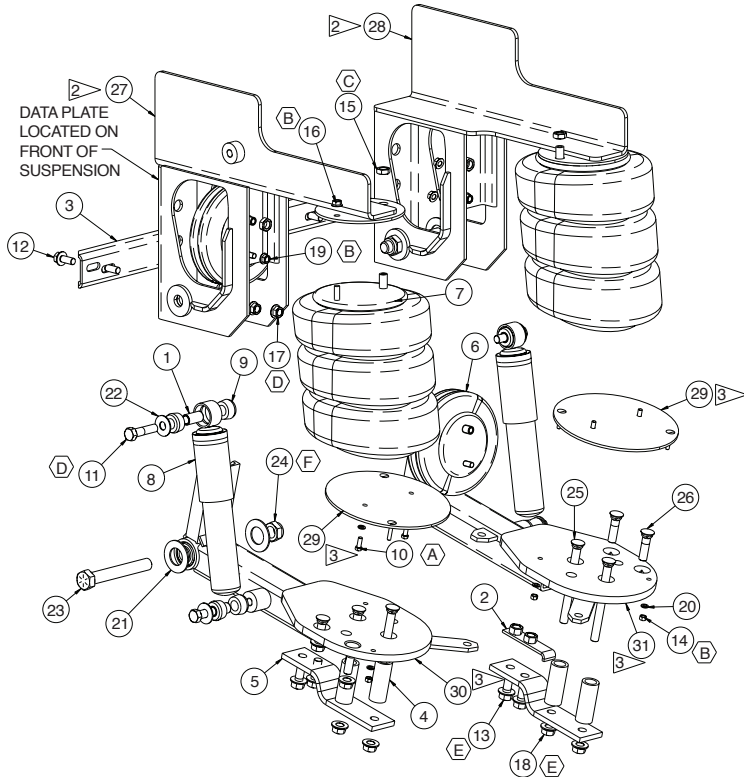
SPEC'ING

SELF-STEER
LIFT AXLES

NON-STEER
LIFT AXLES

OPTIONAL
EQUIPMENT

SERVICE
PARTS



ITEM	PART NO	PART DESCRIPTION	QTY
1	80000003	BUSHING-SHOCK, STEEL	4
2	80000005	NUT-STRAP ASSEMBLY	2
3	80000025	CHANNEL-CROSSMEMBER	1
4	80000032	SPACER-MOUNT, AXLE	4
5	80000043	STRAP-MOUNT, AXLE	2
6	11030002	SPRING-AIR	2
7	11030003	SPRING-AIR	2
8	12100005	SHOCK ABSORBER (OPTIONAL)	2
9	12100028	BUSHING, SHOCK, POLY	8
10	140B1208	3/8 X 1 UNC HEX CAP SCREW, OIL&PHOS (GR 8)... 4	
11	140B2424	3/4 X 3 UNC HEX CAP SCREW, OIL&PHOS (GR 8)... 4	
12	141A2012	5/8 X 1 1/2 UNC FL BOLT, OIL&PHOS, (GR 8)	4
13	141A2416	3/4 X 2 UNC FLANGE BOLT, OIL&PHOS, (GRADE 8)... 4	
14	14701200	3/8 UNC HEX NUT (GRADE B)	4
15	14752402	3/4 UNF HEX JAM NUT, OIL&PHOS	4
16	14801600	1/2 UNC HEX SERRATED FL NUT	6
17	14802004	5/8 UNC TOP LOCK FL NUT, OIL&PHOS	4
18	14802404	3/4 UNC TOP LOCK FL NUT, OIL&PHOS	8
19	14811600	1/2 UNF HEX SERRATED FL NUT	2
20	14851200	3/8 LOCK WASHER	8
21	14910002	THRUST WASHER	4
22	14916401	3/4 USS PLAIN WASHER	4
23	15060003	1 1/8 X 8 UNC HEX CAP SCR, (GRADE 8)	2
24	15060005	1 1/8 UNC HEX TOP LOCK NUT, COLLAR STYLE ... 2	
25	15060305	3/4 X 8.50 UNC PLOW HEAD BOLT	4
26	15060308	3/4 X 3.00 UNC PLOW HEAD BOLT	4
27	810A0021	BRACKET-6000 WELDMENT (LH FLUSH W/SB)	1
28	810A0031	BRACKET-6000 WELDMENT (RH FLUSH W/SB)	1
29	820A0008	PLATE-AIR SPRING	2
30	820A1130	ARM-SUSPENSION (LCPBSSA)	1
31	820A2146	ARM-SUSPENSION (RCXBSSA)	1
-	84001001	BUSHING	2

LINK PART NUMBERS:

- | | |
|--------------|----------|
| 8A000304-318 | 8A000610 |
| 8A000337 | 8A000615 |
| 8A000347 | 8A000622 |
| 8A000353 | |
| 8A000358 | |
| 8A000370 | |
| 8A000373 | |
| 8A000386 | |
| 8A000388 | |
| 8A000390 | |

IMPORTANT NOTES:

- 1) WHEN REPLACING BUSHINGS, THE WEAR WASHER, BOLT AND NUT MUST BE REPLACED AS WELL

2) DATE/SERIAL NO. 00130001

PRIOR TO DATE	AFTER DATE	JULIAN DAY CODE YEAR
PART NO. 810A0700	PART NO. 810A0021	BRKT (LH)
810A0800	810A0031	BRKT (RH)

3) DATE/SERIAL NO. 00306001

PRIOR TO DATE	AFTER DATE	JULIAN DAY CODE YEAR
PART NO. 820A2126	PART NO. 820A2146	SUS ARM (RH)
820A1110	820A1130	SUS ARM (LH)

PART NO 820A0008 WAS NOT INCLUDED WITH THIS SUSPENSION PRIOR TO THE DATE CODE NOTED

- 4) WHEN ORDERING NEW SUSP ARMS (820A2146 OR 820A1130), PART NO 820A0008 MUST BE ORDERED AS WELL

- 15-20 FT-LBS
- 20-30 FT-LBS
- (A) 40-50 FT-LBS
- (B) 185-235 FT-LBS
- (C) 325-420 FT-LBS
- (D) 750-1000 FT-LBS
- (E)

- 5) STEERING STABILIZER KIT 800A0020 MAY BE NEEDED.

MODEL 6000 - 13.2K R-ARM SELF-STEER

11" - 14" Ride Height

LINK PART NUMBERS:

- 8A000335
- 8A000357
- 8A000371
- 8A000605
- 8A000612
- 8A000616

IMPORTANT NOTES:

- 1) WHEN REPLACING BUSHINGS, THE WEAR WASHER, BOLT AND NUT MUST BE REPLACED AS WELL

2 DATE/SERIAL NO. 00130001

JULIAN DAY CODE
YEAR

PRIOR TO DATE	AFTER DATE
PART NO. 810A0700	PART NO. 810A0021 BRKT (LH)
810A0800	810A0031 BRKT (RH)

3 DATE/SERIAL NO. 00306001

JULIAN DAY CODE
YEAR

PRIOR TO DATE	AFTER DATE
PART NO. 820A2218	PART NO. 820A2238 SUS ARM (RH)
820A1210	820A1230 SUS ARM (LH)

PART NO 820A0008 WAS NOT INCLUDED WITH THIS SUSPENSION PRIOR TO THE DATE CODE NOTED

- 4) WHEN ORDERING NEW SUSP ARMS (820A2238 OR 820A1230), PART NO 820A0008 MUST BE ORDERED AS WELL

15-20 FT-LBS

20-30 FT-LBS

A 40-50 FT-LBS

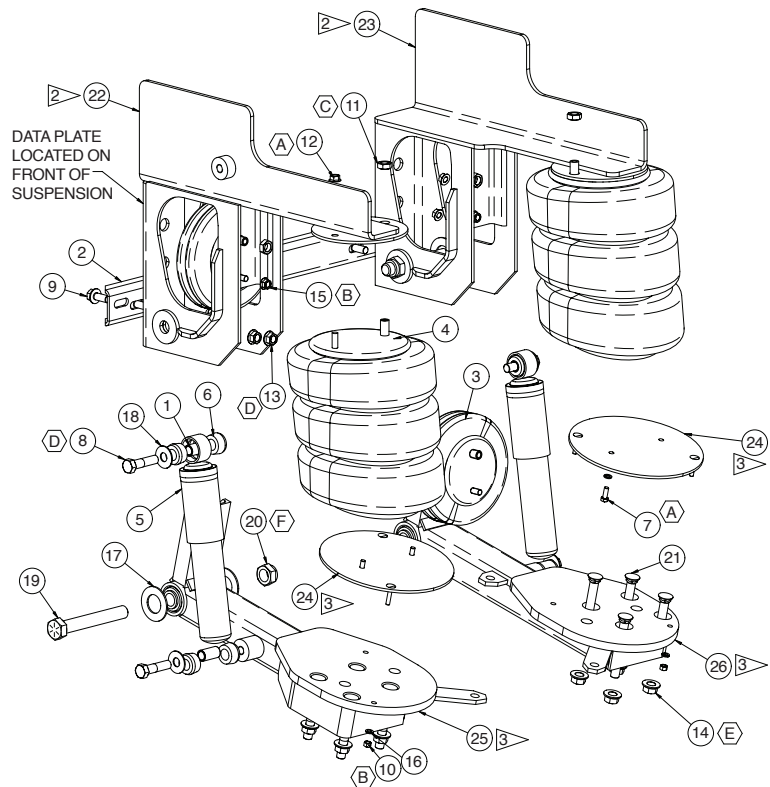
B 185-235 FT-LBS

C 325-420 FT-LBS

D 750-1000 FT-LBS

E

- 5) STEERING STABILIZER KIT 800A0020 MAY BE NEEDED.



ITEM	PART NO	PART DESCRIPTION	QTY
1	80000003	BUSHING-SHOCK, STEEL	4
2	80000025	CHANNEL-CROSSMEMBER	1
3	11030002	SPRING-AIR	2
4	11030003	SPRING-AIR	2
5	12100005	SHOCK ABSORBER (OPTIONAL)	2
6	12100028	BUSHING, SHOCK, POLY	8
7	140B1208	3/8 X 1 UNC HEX CAP SCREW, O&P (GR 8)	4
8	140B2424	3/4 X 3 UNC HEX CAP SCREW, O&P (GR 8)	4
9	141A2012	5/8 X 1 1/2 UNC FL BOLT, O&P, (GR 8)	4
10	14701200	3/8 UNC HEX NUT (GRADE B)	4
11	14752402	3/4 UNF HEX JAM NUT, O&P	4
12	14801600	1/2 UNC HEX SERRATED FL NUT	6
13	14802004	5/8 UNC TOP LOCK FL NUT, O&P	4
14	14802404	3/4 UNC TOP LOCK FL NUT, O&P	8
15	14811600	1/2 UNFT HEX SERRATED FL NUT	2
16	14851200	3/8 LOCK WASHER	8
17	14910002	THRUST WASHER	4
18	14916401	3/4 USS PLAIN WASHER	4
19	15060003	1 1/8 X 8 UNC HEX CAP SCR, (GRADE 8)	2
20	15060005	1 1/8 UNC HEX TOP LOCK NUT, COLLAR STYLE	2
21	15060304	3/4 X 6.00 UNC PLOW HEAD BOLT	8
22	810A0021	BRACKET-6000 WELDMENT (LH FLUSH W/SB)	1
23	810A0031	BRACKET-6000 WELDMENT (RH FLUSH W/SB)	1
24	820A0008	PLATE-AIR SPRING	2
25	820A1230	ARM-SUSPENSION (LRPBSSA)	1
26	820A2238	ARM-SUSPENSION (RRXBSSA)	1
-	84001001	BUSHING	2

SPEC'ING

SELF-STEER
LIFT AXLES

NON-STEER
LIFT AXLES

OPTIONAL
EQUIPMENT

SERVICE
PARTS

MODEL 6000 - 16K C-ARM SELF-STEER

11" - 13" Ride Height

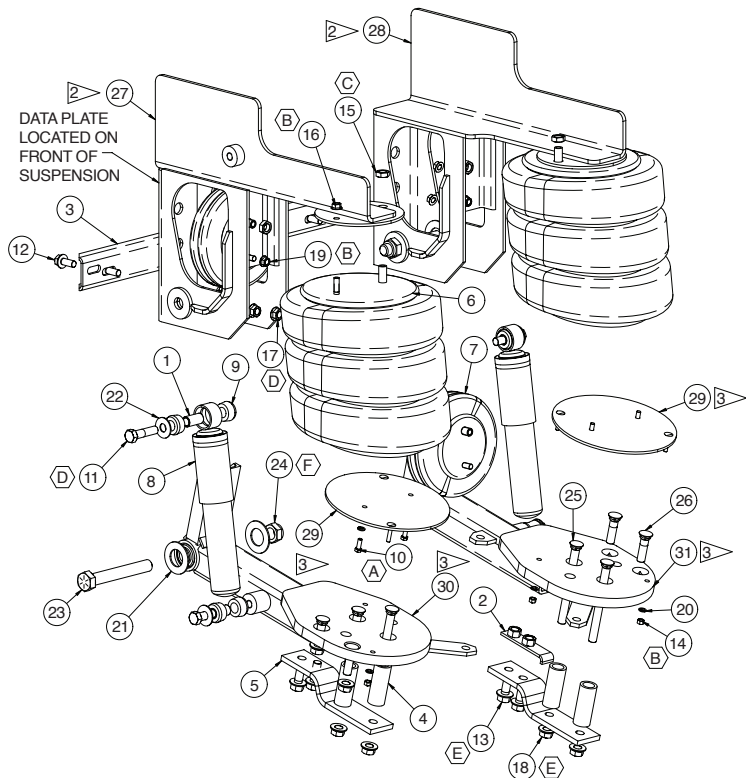
SPEC'ING

SELF-STEER
LIFT AXLES

NON-STEER
LIFT AXLES

OPTIONAL
EQUIPMENT

SERVICE
PARTS



ITEM	PART NO	PART DESCRIPTION	QTY
1	80000003	BUSHING-SHOCK, STEEL.....	4
2	80000005	NUT-STRAP ASSEMBLY.....	2
3	80000025	CHANNEL-CROSSMEMBER.....	1
4	80000032	SPACER-MOUNT, AXLE.....	4
5	80000043	STRAP-MOUNT, AXLE.....	2
6	11030001	SPRING-AIR.....	2
7	11030002	SPRING-AIR.....	2
8	12100005	SHOCK ABSORBER.....	2
9	12100028	BUSHING, SHOCK, POLY.....	8
10	140B1208	3/8 X 1 UNC HEX CAP SCREW, OIL&PHOS (GR 8).....	4
11	140B2424	3/4 X 3 UNC HEX CAP SCREW, OIL&PHOS (GR 8).....	4
12	141A2012	5/8 X 1 1/2 UNC FL BOLT, OIL&PHOS, (GR 8).....	4
13	141A2416	3/4 X 2 UNC FLANGE BOLT, OIL&PHOS, (GRADE 8)....	4
14	14701200	3/8 UNC HEX NUT (GRADE B).....	4
15	14752402	3/4 UNF HEX JAM NUT, OIL&PHOS.....	4
16	14801600	1/2 UNC HEX SERRATED FL NUT.....	6
17	14802004	5/8 UNC TOP LOCK FL NUT, OIL&PHOS.....	4
18	14802404	3/4 UNC TOP LOCK FL NUT, OIL&PHOS.....	8
19	14811600	1/2 UNF HEX SERRATED FL NUT.....	2
20	14851200	3/8 LOCK WASHER.....	8
21	14910002	THRUST WASHER.....	4
22	14916401	3/4 USS PLAIN WASHER.....	4
23	15060003	1 1/8 X 8 UNC HEX CAP SCR, (GRADE 8).....	2
24	15060005	1 1/8 UNC HEX TOP LOCK NUT, COLLAR STYLE.....	2
25	15060305	3/4 X 8.50 UNC PLOW HEAD BOLT.....	4
26	15060308	3/4 X 3.00 UNC PLOW HEAD BOLT.....	4
27	810A0021	BRACKET-6000 WELDMNT (LH FLUSH W/SB).....	1
28	810A0031	BRACKET-6000 WELDMNT (RH FLUSH W/SB).....	1
29	820A0008	PLATE-AIR SPRING.....	2
30	820A1132	ARM-SUSPENSION (LCPBHSA).....	1
31	820A2147	ARM-SUSPENSION (RCXBHSA).....	1
-	84001001	BUSHING.....	2

LINK PART NUMBERS:

- 8A000351
- 8A000352
- 8A000353
- 8A000354
- 8A000366
- 8A000380
- 8A000608

IMPORTANT NOTES:

- 1) WHEN REPLACING BUSHINGS, THE WEAR WASHER, BOLT AND NUT MUST BE REPLACED AS WELL

2) DATE/SERIAL NO. 00130001

PRIOR TO DATE	AFTER DATE	JULIAN DAY CODE YEAR
PART NO. 810A0700	PART NO. 810A0021 BRKLT (LH)	
810A0800	810A0031 BRKLT (RH)	

3) DATE/SERIAL NO. 00306001

PRIOR TO DATE	AFTER DATE	JULIAN DAY CODE YEAR
PART NO. 820A2127	PART NO. 820A2147 SUS ARM (RH)	
820A1110	820A1132 SUS ARM (LH)	

PART NO 820A0008 WAS NOT INCLUDED WITH THIS SUSPENSION PRIOR TO THE DATE CODE NOTED

- 4) WHEN ORDERING NEW SUSP ARMS (820A2147 OR 820A1132), PART NO 820A0008 MUST BE ORDERED AS WELL

- 15-20 FT-LBS
- 20-30 FT-LBS
- A 40-50 FT-LBS
- B 185-235 FT-LBS
- C 325-420 FT-LBS
- D 750-1000 FT-LBS
- E STEERING STABILIZER KIT 800A0020 MAY BE NEEDED.

MODEL 6000 - 20K C-ARM SELF-STEER

11" - 13" Ride Height

LINK PART NUMBERS:

8A000343	8A000391
8A000355	8A000395
8A000359	8A000396
8A000360	8A000397
8A000361	8A000601
8A000362	8A000602
8A000363	8A000603
8A000365	8A000607
8A000367	8A000609
8A000387	8A000611

IMPORTANT NOTES:

- 1) WHEN REPLACING BUSHINGS, THE WEAR WASHER, BOLT AND NUT MUST BE REPLACED AS WELL

2 DATE/SERIAL NO. 00130001

JULIAN DAY CODE
YEAR

PRIOR TO DATE	AFTER DATE
PART NO.	PART NO.
810A0700	810A0021 BRKT (LH)
810A0800	810A0031 BRKT (RH)

3 DATE/SERIAL NO. 00306001

JULIAN DAY CODE
YEAR

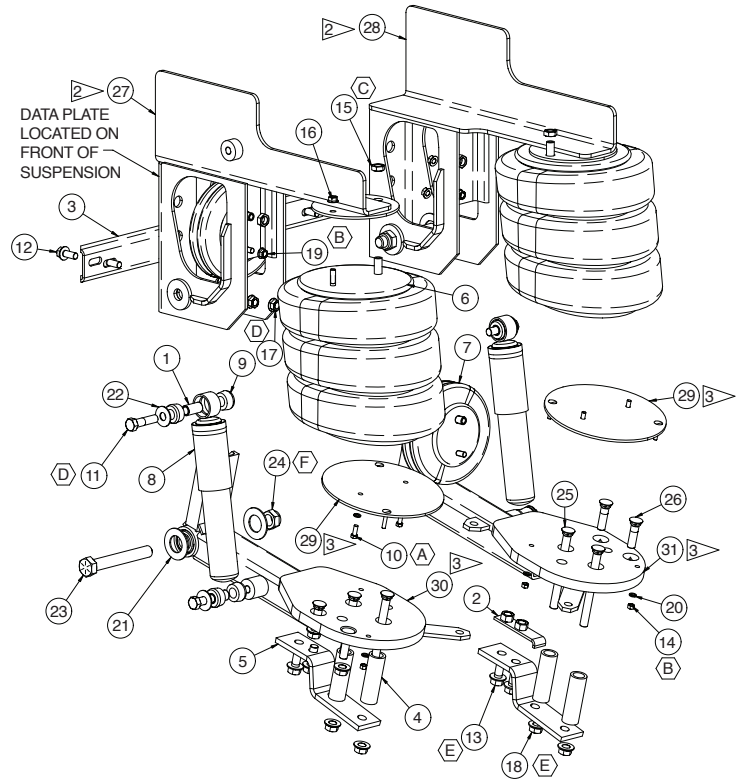
PRIOR TO DATE	AFTER DATE
PART NO.	PART NO.
820A2127	820A2147 SUS ARM (RH)
820A0800	820A1132 SUS ARM (LH)

PART NO 820A0008 WAS NOT INCLUDED WITH THIS SUSPENSION PRIOR TO THE DATE CODE NOTED

- 4) WHEN ORDERING NEW SUSP ARMS (820A2147 OR 820A1132), PART NO 820A0008 MUST BE ORDERED AS WELL

- 15-20 FT-LBS
- 20-30 FT-LBS
- (A) 40-50 FT-LBS
- (B) 185-235 FT-LBS
- (C) 325-420 FT-LBS
- (D) 750-1000 FT-LBS
- (E)

- (F) STEERING STABILIZER KIT 800A0020 MAY BE NEEDED.



ITEM	PART NO	PART DESCRIPTION	QTY
1	80000003	BUSHING-SHOCK, STEEL	4
2	80000005	NUT-STRAP ASSEMBLY	2
3	80000025	CHANNEL-CROSSMEMBER.....	1
4	80000036	SPACER-MOUNT, AXLE	4
5	800A0109	STRAP-MOUNT, AXLE	2
6	11030001	SPRING-AIR	2
7	11030002	SPRING-AIR	2
8	12100005	SHOCK ABSORBER	2
9	12100028	BUSHING, SHOCK, POLY	8
10	140B1208	3/8 X 1 UNC HEX CAP SCREW, OIL&PHOS (GR 8).....	4
11	140B2424	3/4 X 3 UNC HEX CAP SCREW, OIL&PHOS (GR 8).....	4
12	141A2012	5/8 X 1 1/2 UNC FL BOLT, OIL&PHOS, (GR 8).....	4
13	141A2416	3/4 X 2 UNC FLANGE BOLT, OIL&PHOS, (GRADE 8)....	4
14	14701200	3/8 UNC HEX NUT (GRADE B)	4
15	14752402	3/4 UNF HEX JAM NUT, OIL&PHOS	4
16	14801600	1/2 UNC HEX SERRATED FL NUT.....	6
17	14802004	5/8 UNC TOP LOCK FL NUT, OIL&PHOS	4
18	14802404	3/4 UNC TOP LOCK FL NUT, OIL&PHOS	8
19	14811600	1/2 UNF HEX SERRATED FL NUT	2
20	14851200	3/8 LOCK WASHER	8
21	14910002	THRUST WASHER	4
22	14916401	3/4 USS PLAIN WASHER.....	4
23	15060003	1 1/8 X 8 UNC HEX CAP SCR, (GRADE 8)	2
24	15060005	1 1/8 UNC HEX TOP LOCK NUT, COLLAR STYLE.....	2
25	15060336	3/4 X 9.5 UNC PLOW HEAD BOLT	4
26	15060308	3/4 X 3.00 UNC PLOW HEAD BOLT	4
26A	15060307	3/4 X 3.5" FOR UNITS WITH WEDGES	2
27	810A0021	BRACKET-6000 WELDMNT (LH FLUSH W/SB).....	1
28	810A0031	BRACKET-6000 WELDMNT (RH FLUSH W/SB)	1
29	820A0008	PLATE-AIR SPRING	2
30	820A1132	ARM-SUSPENSION (LCPBHSA)	1
31	820A2147	ARM-SUSPENSION (RCXBHSA).....	1
-	84001001	BUSHING.....	2

SPEC'ING

SELF-STEER
LIFT AXLES

NON-STEER
LIFT AXLES

OPTIONAL
EQUIPMENT

SERVICE
PARTS

MODEL 6001 - 13.2K C-ARM SELF-STEER

10" - 12" Ride Height

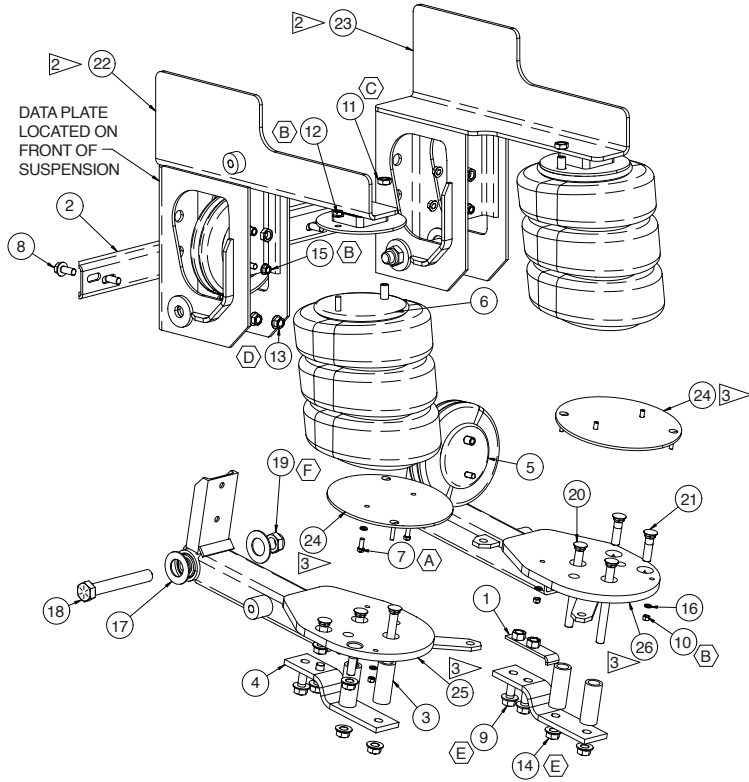
SPEC'ING

SELF-STEER
LIFT AXLES

NON-STEER
LIFT AXLES

OPTIONAL
EQUIPMENT

SERVICE
PARTS



ITEM	PART NO	PART DESCRIPTION	QTY
1	80000005	NUT-STRAP ASSEMBLY	2
2	80000025	CHANNEL-CROSSMEMBER.....	1
3	80000032	SPACER-MOUNT, AXLE.....	4
4	80000043	STRAP-MOUNT, AXLE	2
5	11030002	SPRING-AIR	2
6	11030003	SPRING-AIR	2
7	140B1208	3/8 X 1 UNC HEX CAP SCREW, OIL&PHOS (GR 8)...	4
8	141A2012	5/8 X 1 1/2 UNC FL BOLT, OIL&PHOS, (GR 8)	4
9	141A2416	3/4 X 2 UNC FLANGE BOLT, OIL&PHOS, (GRADE 8)..	4
10	14701200	3/8 UNC HEX NUT (GRADE B)	4
11	14752402	3/4 UNF HEX JAM NUT, OIL&PHOS.....	4
12	14801600	1/2 UNC HEX SERRATED FL NUT.....	6
13	14802004	5/8 UNC TOP LOCK FL NUT, OIL&PHOS	4
14	14802404	3/4 UNC TOP LOCK FL NUT, OIL&PHOS	8
15	14811600	1/2 UNF HEX SERRATED FL NUT	2
16	14851200	3/8 LOCK WASHER	8
17	14910002	THRUST WASHER	4
18	15060003	1 1/8 X 8 UNC HEX CAP SCR, (GRADE 8).....	2
19	15060005	1 1/8 UNC HEX TOP LOCK NUT, COLLAR STYLE....	2
20	15060305	3/4 X 8.50 UNC PLOW HEAD BOLT	4
21	15060308	3/4 X 3.00 UNC PLOW HEAD BOLT	4
22	810A0022	BRACKET-6001 WELDMENT (LH FLUSH W/SB).....	1
23	810A0032	BRACKET-6001 WELDMENT (RH FLUSH W/SB)	1
24	820A0008	PLATE-AIR SPRING	2
25	820A1130	ARM-SUSPENSION (LCPBSSA).....	1
26	820A2146	ARM-SUSPENSION (RCXBSSA)	1
-	84001001	BUSHING.....	2

LINK PART NUMBERS:

- 8A000348
- 8A000356
- 8A000368
- 8A000379
- 8A000381
- 8A000392

IMPORTANT NOTES:

- 1) WHEN REPLACING BUSHINGS, THE WEAR WASHER, BOLT AND NUT MUST BE REPLACED AS WELL

2) DATE/SERIAL NO. 00130001

PRIOR TO DATE	AFTER DATE	JULIAN DAY CODE YEAR
PART NO. 810A0710	PART NO. 810A0022	BRKT (LH)
810A0810	810A0032	BRKT (RH)

3) DATE/SERIAL NO. 00306001

PRIOR TO DATE	AFTER DATE	JULIAN DAY CODE YEAR
PART NO. 820A2126	PART NO. 820A2146	SUS ARM (RH)
820A1110	820A1130	SUS ARM (LH)

PART NO 820A0008 WAS NOT INCLUDED WITH THIS SUSPENSION PRIOR TO THE DATE CODE NOTED

- 4) WHEN ORDERING NEW SUSP ARMS (820A2146 OR 820A1130), PART NO 820A0008 MUST BE ORDERED AS WELL

- 15-20 FT-LBS
- 20-30 FT-LBS
- A) 40-50 FT-LBS
- B) 185-235 FT-LBS
- C) 325-420 FT-LBS
- D) 750-1000 FT-LBS
- E)

- 5) STEERING STABILIZER KIT 800A0020 MAY BE NEEDED.

MODEL 6001 - 13.2K R-ARM SELF-STEER

12" - 15" Ride Height

LINK PART NUMBERS:

- 8A000344
- 8A000374
- 8A000375
- 8A000378

IMPORTANT NOTES:

- 1) WHEN REPLACING BUSHINGS, THE WEAR WASHER, BOLT AND NUT MUST BE REPLACED AS WELL

2 DATE/SERIAL NO. 00130001

JULIAN DAY CODE
YEAR

PRIOR TO DATE	AFTER DATE
PART NO.	PART NO.
810A0710	810A0021 BRKT (LH)
810A0810	810A0031 BRKT (RH)

3 DATE/SERIAL NO. 00306001

JULIAN DAY CODE
YEAR

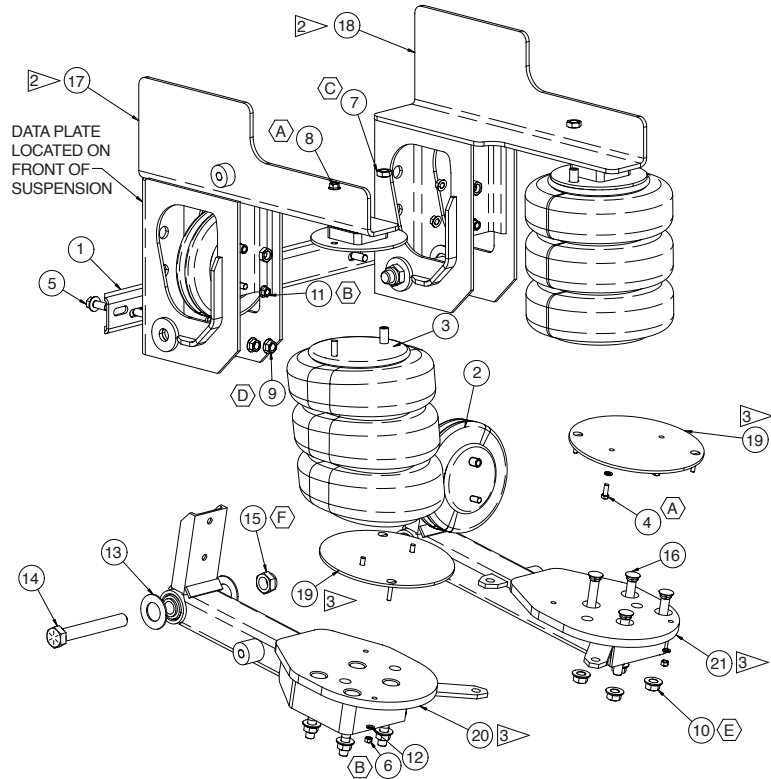
PRIOR TO DATE	AFTER DATE
PART NO.	PART NO.
820A2218	820A2238 SUS ARM (RH)
820A1210	820A1230 SUS ARM (LH)

PART NO 820A0008 WAS NOT INCLUDED WITH THIS SUSPENSION PRIOR TO THE DATE CODE NOTED

- 4) WHEN ORDERING NEW SUSP ARMS (820A2238 OR 820A1230), PART NO 820A0008 MUST BE ORDERED AS WELL

- 15-20 FT-LBS
- 20-30 FT-LBS
- (A) 40-50 FT-LBS
- (B) 185-235 FT-LBS
- (C) 325-420 FT-LBS
- (D) 750-1000 FT-LBS
- (E)

- 5) STEERING STABILIZER KIT 800A0020 MAY BE NEEDED.



ITEM	PART NO	PART DESCRIPTION	QTY
1	80000025	CHANNEL-CROSSMEMBER.....	1
2	11030002	SPRING-AIR	2
3	11030003	SPRING-AIR	2
4	140B1208	3/8 X 1 UNC HEX CAP SCREW, OIL&PHOS (GR 8) ..	4
5	141A2012	5/8 X 1 1/2 UNC FL BOLT, OIL&PHOS, (GR 8)	4
6	14701200	3/8 UNC HEX NUT (GRADE B)	4
7	14752402	3/4 UNF HEX JAM NUT, OIL&PHOS.....	4
8	14801600	1/2 UNC HEX SERRATED FL NUT.....	6
9	14802004	5/8 UNC TOP LOCK FL NUT, OIL&PHOS	4
10	14802404	3/4 UNC TOP LOCK FL NUT, OIL&PHOS	2
11	14811600	1/2 UNF HEX SERRATED FL NUT	8
12	14851200	3/8 LOCK WASHER	8
13	14910002	THRUST WASHER	4
14	15060003	1 1/8 X 8 UNC HEX CAP SCR, (GRADE 8).....	2
15	15060005	1 1/8 UNC HEX TOP LOCK NUT, COLLAR STYLE...2	
16	15060304	3/4 X 6.00 UNC PLOW HEAD BOLT	8
17	810A0022	BRACKET-6001 WELDMENT (LH FLUSH W/SB).....	1
18	810A0032	BRACKET-6001 WELDMENT (RH FLUSH W/SB)	1
19	820A0008	PLATE-AIR SPRING	2
20	820A1230	ARM-SUSPENSION (LRPBSSA).....	1
22	820A2238	ARM-SUSPENSION (RRXBSSA)	1
-	84001001	BUSHING.....	2

SPEC'ING

SELF-STEER
LIFT AXLES

NON-STEER
LIFT AXLES

OPTIONAL
EQUIPMENT

SERVICE
PARTS

MODEL 6002 - 13.2K C-ARM SELF-STEER

11" - 13" Ride Height

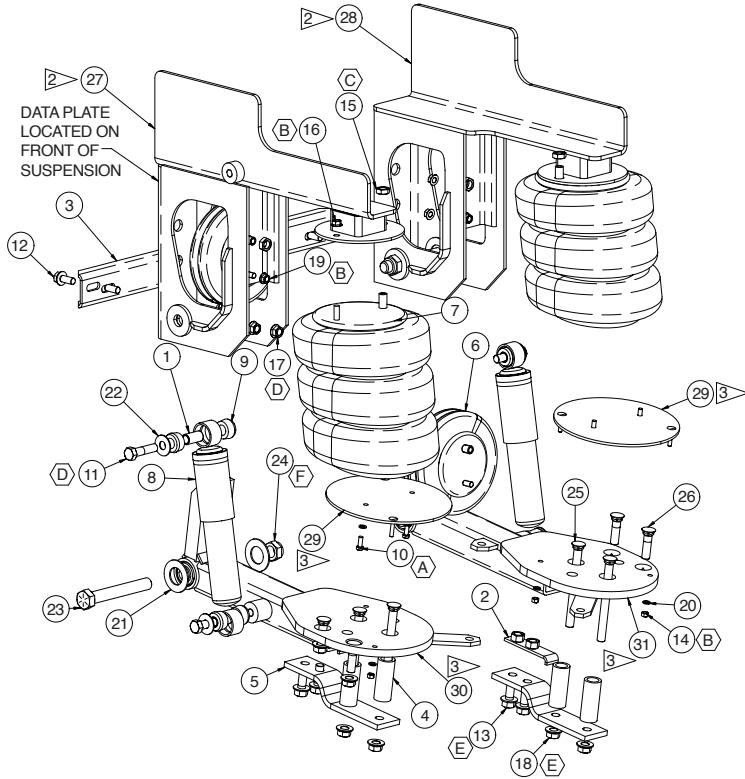
SPEC'ING

SELF-STEER
LIFT AXLES

NON-STEER
LIFT AXLES

OPTIONAL
EQUIPMENT

SERVICE
PARTS



ITEM	PART NO	PART DESCRIPTION	QTY
1	80000003	BUSHING-SHOCK, STEEL	4
2	80000005	NUT-STRAP ASSEMBLY	2
3	80000025	CHANNEL-CROSSMEMBER	1
4	80000032	SPACER-MOUNT, AXLE	4
5	80000043	STRAP-MOUNT, AXLE	2
6	11030002	SPRING-AIR	2
7	11030003	SPRING-AIR	2
8	12100005	SHOCK ABSORBER	2
9	12100028	BUSHING, SHOCK, POLY	8
10	140B1208	3/8 X 1 UNC HEX CAP SCREW, OIL&PHOS (GR 8)...	4
11	140B2424	3/4 X 3 UNC HEX CAP SCREW, OIL&PHOS (GR 8)...	4
12	141A2012	5/8 X 1 1/2 UNC FL BOLT, OIL&PHOS, (GR 8)	4
13	141A2416	3/4 X 2 UNC FLANGE BOLT, OIL&PHOS, (GRADE 8) 4	4
14	14701200	3/8 UNC HEX NUT (GRADE B)	4
15	14752402	3/4 UNF HEX JAM NUT, OIL&PHOS	4
16	14801600	1/2 UNC HEX SERRATED FL NUT	6
17	14802004	5/8 UNC TOP LOCK FL NUT, OIL&PHOS	4
18	14802404	3/4 UNC TOP LOCK FL NUT, OIL&PHOS	8
19	14811600	1/2 UNF HEX SERRATED FL NUT	2
20	14851200	3/8 LOCK WASHER	8
21	14910002	THRUST WASHER	4
22	14916401	3/4 USS PLAIN WASHER	4
23	15060003	1 1/8 X 8 UNC HEX CAP SCR, (GRADE 8)	2
24	15060005	1 1/8 UNC HEX TOP LOCK NUT, COLLAR STYLE ...	2
25	15060305	3/4 X 8.50 UNC PLOW HEAD BOLT	4
26	15060308	3/4 X 3.00 UNC PLOW HEAD BOLT	4
27	810A0023	BRACKET-6002 WELDMENT (LH FLUSH W/SB)	1
28	810A0033	BRACKET-6002 WELDMENT (RH FLUSH W/SB)	1
29	820A0008	PLATE-AIR SPRING	2
30	820A1130	ARM-SUSPENSION (LCPBSSA)	1
31	820A2146	ARM-SUSPENSION (RCXBSSA)	1
-	84001001	BUSHING	2

LINK PART NUMBERS:

- 8A000334
- 8A000339
- 8A000340
- 8A000350
- 8A000372
- 8A000382
- 8A000383
- 8A000389
- 8A000606

IMPORTANT NOTES:

- 1) WHEN REPLACING BUSHINGS, THE WEAR WASHER, BOLT AND NUT MUST BE REPLACED AS WELL

2) DATE/SERIAL NO. 00130001

PRIOR TO DATE	AFTER DATE	JULIAN DAY CODE YEAR
PART NO. 810A0720	PART NO. 810A0023 BRKT (LH)	
810A0820	810A0033 BRKT (RH)	

3) DATE/SERIAL NO. 00306001

PRIOR TO DATE	AFTER DATE	JULIAN DAY CODE YEAR
PART NO. 820A2126	PART NO. 820A2146 SUS ARM (RH)	
820A1110	820A1130 SUS ARM (LH)	

PART NO 820A0008 WAS NOT INCLUDED WITH THIS SUSPENSION PRIOR TO THE DATE CODE NOTED

- 4) WHEN ORDERING NEW SUSP ARMS (820A2146 OR 820A1130), PART NO 820A0008 MUST BE ORDERED AS WELL

- 15-20 FT-LBS
- 20-30 FT-LBS
- A 40-50 FT-LBS
- B 185-235 FT-LBS
- C 325-420 FT-LBS
- D 750-1000 FT-LBS
- E

- 5) STEERING STABILIZER KIT 800A0020 MAY BE NEEDED.

MODEL 6002 - 13.2K R-ARM SELF-STEER

13" - 16" Ride Height

LINK PART NUMBERS:

- 8A000319-333
- 8A000336
- 8A000341
- 8A000342
- 8A000345
- 8A000384
- 8A000385

IMPORTANT NOTES:

- 1) WHEN REPLACING BUSHINGS, THE WEAR WASHER, BOLT AND NUT MUST BE REPLACED AS WELL

2) **DATE/SERIAL NO. 00130001**

JULIAN DAY CODE
YEAR

PRIOR TO DATE	AFTER DATE
PART NO. 810A0720	PART NO. 810A0023 BRKT (LH)
810A0820	810A0033 BRKT (RH)

3) **DATE/SERIAL NO. 00306001**

JULIAN DAY CODE
YEAR

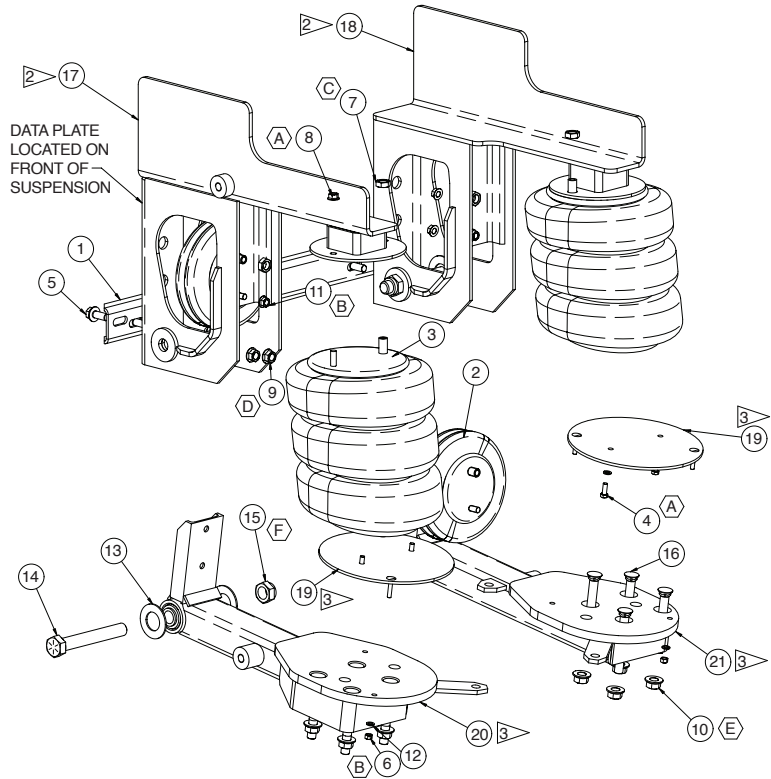
PRIOR TO DATE	AFTER DATE
PART NO. 820A2218	PART NO. 820A2238 SUS ARM (RH)
820A1210	820A1230 SUS ARM (LH)

PART NO 820A0008 WAS NOT INCLUDED WITH THIS SUSPENSION PRIOR TO THE DATE CODE NOTED

- 4) WHEN ORDERING NEW SUSP ARMS (820A2238 OR 820A1230), PART NO 820A0008 MUST BE ORDERED AS WELL

- 15-20 FT-LBS
- 20-30 FT-LBS
- (A) 40-50 FT-LBS
- (B) 185-235 FT-LBS
- (C) 325-420 FT-LBS
- (D) 750-1000 FT-LBS
- (E)

- 5) STEERING STABILIZER KIT 800A0020 MAY BE NEEDED.



ITEM	PART NO	PART DESCRIPTION	QTY
1	80000025	CHANNEL-CROSSMEMBER.....	1
2	11030002	SPRING-AIR	2
3	11030003	SPRING-AIR	2
4	140B1208	3/8 X 1 UNC HEX CAP SCREW, OIL&PHOS (GR 8)...	4
5	141A2012	5/8 X 1 1/2 UNC FL BOLT, OIL&PHOS, (GR 8).....	4
6	14701200	3/8 UNC HEX NUT (GRADE B)	4
7	14752402	3/4 UNF HEX JAM NUT, OIL&PHOS.....	4
8	14801600	1/2 UNC HEX SERRATED FL NUT.....	6
9	14802004	5/8 UNC TOP LOCK FL NUT, OIL&PHOS	4
10	14802404	3/4 UNC TOP LOCK FL NUT, OIL&PHOS	8
11	14811600	1/2 UNF HEX SERRATED FL NUT	2
12	14851200	3/8 LOCK WASHER	8
13	14910002	THRUST WASHER	4
14	15060003	1 1/8 X 8 UNC HEX CAP SCR, (GRADE 8).....	2
15	15060005	1 1/8 UNC HEX TOP LOCK NUT, COLLAR STYLE...2	
16	15060304	3/4 X 6.00 UNC PLOW HEAD BOLT	8
17	810A0023	BRACKET-6002 WELDMENT (LH FLUSH W/SB).....	1
18	810A0033	BRACKET-6002 WELDMENT (RH FLUSH W/SB)	1
19	820A0008	PLATE-AIR SPRING	2
20	820A1230	ARM-SUSPENSION (LRPBSSA).....	1
21	820A2238	ARM-SUSPENSION (RRXBSSA)	1
-	84001001	BUSHING.....	2

SPEC'ING

SELF-STEER
LIFT AXLES

NON-STEER
LIFT AXLES

OPTIONAL
EQUIPMENT

SERVICE
PARTS

MODEL 6003 - 13.2K R-ARM SELF-STEER

14" - 17" Ride Height

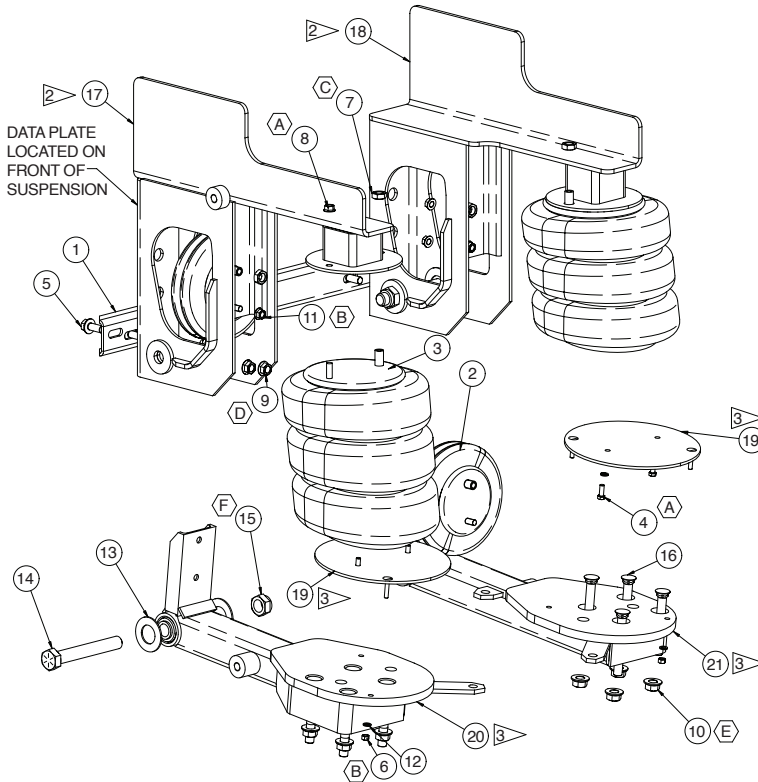
SPEC'ING

SELF-STEER
LIFT AXLES

NON-STEER
LIFT AXLES

OPTIONAL
EQUIPMENT

SERVICE
PARTS



ITEM	PART NO	PART DESCRIPTION	QTY
1	8000025	CHANNEL-CROSSMEMBER.....	1
2	11030002	SPRING-AIR	2
3	11030003	SPRING-AIR	2
4	140B1208	3/8 X 1 UNC HEX CAP SCREW, OIL&PHOS (GR 8)...	4
5	141A2012	5/8 X 1 1/2 UNC FL BOLT, OIL&PHOS, (GR 8).....	4
6	14701200	3/8 UNC HEX NUT (GRADE B)	4
7	14752402	3/4 UNF HEX JAM NUT, OIL&PHOS.....	4
8	14801600	1/2 UNC HEX SERRATED FL NUT.....	6
9	14802004	5/8 UNC TOP LOCK FL NUT, OIL&PHOS	4
10	14802404	3/4 UNC TOP LOCK FL NUT, OIL&PHOS	8
11	14811600	1/2 UNF HEX SERRATED FL NUT	2
12	14851200	3/8 LOCK WASHER	8
13	14910002	THRUST WASHER	4
14	15060003	1 1/8 X 8 UNC HEX CAP SCR, (GRADE 8).....	2
15	15060005	1 1/8 UNC HEX TOP LOCK NUT, COLLAR STYLE....	2
16	15060304	3/4 X 6.00 UNC PLOW HEAD BOLT	8
17	810A0024	BRACKET-6003 WELDMENT (LH FLUSH W/SB).....	1
18	810A0034	BRACKET-6003 WELDMENT (RH FLUSH W/SB)	1
19	820A0008	PLATE-AIR SPRING	2
20	820A1230	ARM-SUSPENSION (LRPBSSA).....	1
21	820A2238	ARM-SUSPENSION (RRXBSSA)	1
-	84001001	BUSHING.....	2

LINK PART NUMBERS:

8A000349
8A000613
8A000614

IMPORTANT NOTES:

- 1) WHEN REPLACING BUSHINGS, THE WEAR WASHER, BOLT AND NUT MUST BE REPLACED AS WELL

2) DATE/SERIAL NO. 00130001

PRIOR TO DATE	AFTER DATE	JULIAN DAY CODE YEAR
PART NO. 810A0730	PART NO. 810A0024 BRKT (LH)	
810A0830	810A0034 BRKT (RH)	

3) DATE/SERIAL NO. 00306001

PRIOR TO DATE	AFTER DATE	JULIAN DAY CODE YEAR
PART NO. 820A2218	PART NO. 820A2238 SUS ARM (RH)	
820A1210	820A1230 SUS ARM (LH)	

PART NO 820A0008 WAS NOT INCLUDED WITH THIS SUSPENSION PRIOR TO THE DATE CODE NOTED

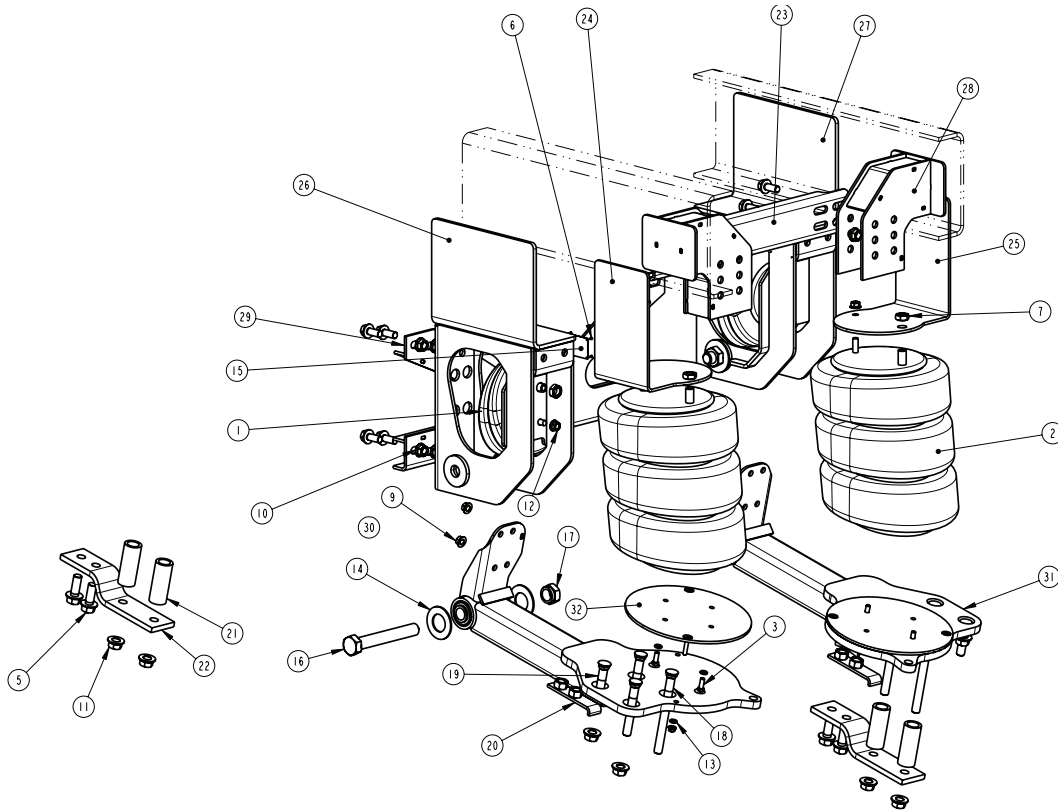
- 4) WHEN ORDERING NEW SUSP ARMS (820A2238 OR 820A1230), PART NO 820A0008 MUST BE ORDERED AS WELL

- 15-20 FT-LBS
- 20-30 FT-LBS
- (A) 40-50 FT-LBS
- (B) 185-235 FT-LBS
- (C) 325-420 FT-LBS
- (D) 750-1000 FT-LBS
- (E)

- 5) STEERING STABILIZER KIT 800A0020 MAY BE NEEDED.

MODEL 6000 ROLLOFF SELF-STEER

Link Part Number: 8A000702



ITEM	PART NO	PART DESCRIPTION	QTY
1	11030002	SPRING-AIR	2
2	11030003	SPRING-AIR	2
3	14081208	3/8 X 1 UNC HEX CAP SCR (GR 8) O&P	4
4	141A2012	5/8 X 1 1/2 UNC FLANG BOLT (GR 8) O&P	12
5	141A2416	3/4 X 2 UNC FLANG BOLD (GR 8) O&P	4
6	14550404	#4 X 1/4 DRIVE SCREW	4
7	14752402	3/4 UNF HEX JAM NUT O&P	4
8	14801204	3/8 UNC TOP LOCK FL NUT (GR G) O&P	4
9	14801204	1/2 UNC SERRATED FLANG NUT	6
10	14802004	5/8 UNC TOP LOCK FL NUT (GR G) O&P	12
11	14802404	3/4 UNC TOP LOCK FL NUT (GR G) O&P	8
12	14811600	1/2 UNF SERRATED FLANG NUT	2
13	14851200	3/8 LOCK WASHER	8
14	14910002	THRUST WASHER	4
15	15001316	PLATE-ID, HISTEER	1
16	15060003	1 1/8 X 8 UNC HEX CAP SCR (GRADE 8)	2
17	15060005	1 1/8 UNC HEX TOP LOCK NUT, COLLAR STYLE	2
18	15060305	3/4 X 8.50 UNC PLOW HEAD BOLT	4
19	15060307	3/4 X 3.50 UNC PLOW HEAD BOLD	4
20	80000005	NUT-STRAP ASSEMBLY	2
21	80000032	SPACER-MOUNT, AXLE	4
22	80000043	STRAP-MOUNT, AXLE	2
23	81000339	CROSS MEMBER	1
24	81000342	PLATE-SPRING, RIDE	1
25	81000343	PLATE-SPRING, RIDE	1
26	810A0081	BRACKET-HANGER	1
27	810A0082	BRACKET-HANGER	1
28	810A0084	BRACKET-SUPPORT, RIDE SPRING	2
29	810A0085	CROSS MEMBER, K-BRACE	1
30	820A0081	ARM-SUSPENSION	1
31	820A0082	ARM-SUSPENSION	1
32	830A0013	PLATE-AIRSPRING	2

SPEC'ING

SELF-STEER
LIFT AXLES

NON-STEER
LIFT AXLES

OPTIONAL
EQUIPMENT

SERVICE
PARTS

MODEL 6000 ROLLOFF SELF-STEER

Link Part Number: 8A000701

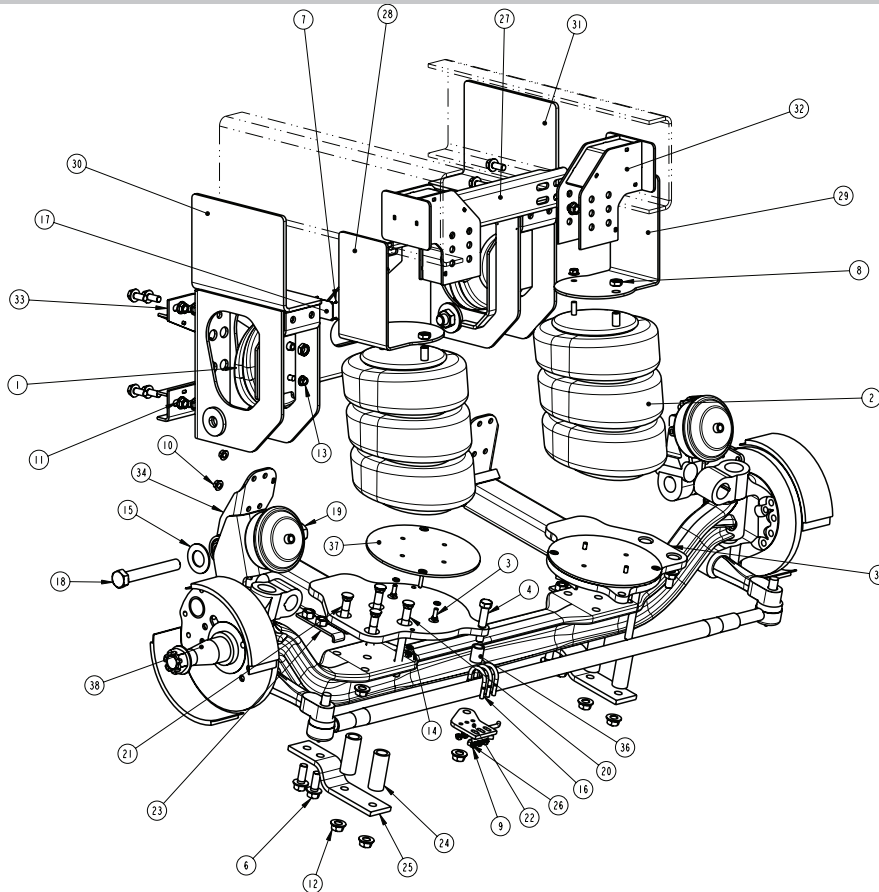
SPEC'ING

SELF-STEER
LIFT AXLES

NON-STEER
LIFT AXLES

OPTIONAL
EQUIPMENT

SERVICE
PARTS



ITEM	PART NO	PART DESCRIPTION	QTY
1	11030002	SPRING-AIR	2
2	11030003	SPRING-AIR	2
3	14081208	3/8 X 1 UNC HEX CAP SCR (GR 8) O&P	4
4	140B2432	3/4 X 4 UNC HEX CAP SCR (GR 8) O&P	1
5	141A2012	5/8 X 1 1/2 UNC FLANG BOLD (GR 8) O&P	12
6	141A2416	3/4 X 2 YBC FLANGE BOLD (GR 8) O&P	4
7	14550404	#4 X 1/4 DRIVE SCREW	4
8	14752402	3/4 UNF HEX JAM NUT, O&P	4
9	14801204	3/8 UNC TOP LOCK FL NUT (GR G) O&P	10
10	14801600	1/2 YBC SERRATED FLANGE NUT	6
11	14802004	5/8 UNC TOP LOCK FL NUT (GR G) O&P	12
12	14802404	3/4 UNC TOP LOCK FL NUT (GR G) O&P	9
13	14811600	1/2 UNF SERRATED FLANGE NUT	2
14	14851200	3/8 LOCK WASHER	8
15	14910002	THRUST WASHER	8
16	14950003	U-BOLT, .38-16 UNC, 1.75 X 2.75	3
17	15001316	PLATE -ID, HISTER	1
18	15060003	1 1/8 X 8 UNC HEX CAP SCR, (GRADE 8)	2
19	15060005	1 1/8 UNC HEX TOP LOCK NUT, COLLAR STYLE	2
20	15060305	3/4 X 8.50 UNC PLOW HEAD BOLT	4
21	15060307	3/4 X 3.50 UNC PLOW HEAD BOLT	4
22	80000002	BRACKET-STABILIZER	1
23	80000005	NUT-STRAP ASSEMBLY	2
24	80000032	SPACER-MOUNT, AXLE	4
25	80000043	STRAP-MOUNT, AXLE	2
26	80000085	ROD-SUPPORT, STABILIZER	2
27	81000339	CROSS MEMBER	1
28	81000342	PLATE-SPRING, RIDE	1
29	81000343	PLATE-SPRING, RIDE	1
30	810A0081	BRACKET-HANGER	1
31	810A0082	BRACKET-HANGER	1
32	810A0084	BRACKET-SUPPORT, RIDE SPRING	2
33	810A0085	CROSS MEMBER, K-BRACE	1
34	820A0081	ARM-SUSPENSION	1
35	820A0082	ARM-SUSPENSION	1
36	83000063	TUBE-MAIN	1
37	830A0013	PLATE-AIRSPRING	2
38	840A0040	ASSEMBLY-AXLE	1

DURALIFT II 8K SELF-STEER

Link Part Number 8A000499 - Non-Current

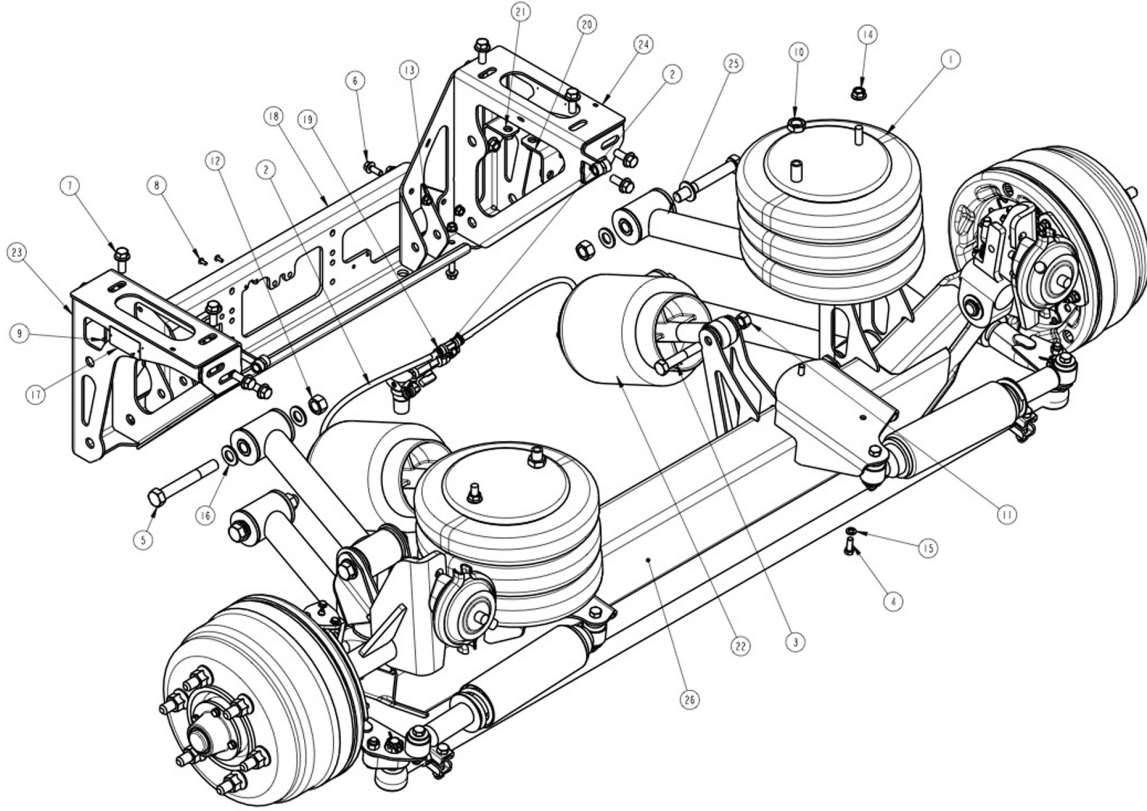
SPEC'ING

SELF-STEER
LIFT AXLES

NON-STEER
LIFT AXLES

OPTIONAL
EQUIPMENT

SERVICE
PARTS



ITEM	PART NO	PART DESCRIPTION	QTY
1	11030056	SPRING-AIR	2
2	13034000	AIRLINE-NYLON, .375 O.D., BULK	2.5 FT
3	14032028	5/8 X 3 1/2 UNF HEX CAP SCR (GR 5).....	4
4	14081208	3/8 X 1 UNC HEX CAP SCR (GR 8) O&P	4
5	140D2444	3/4 X 5 1/2 UNF HEX CAP SCR (GR8) O&P	8
6	14111208	3/8 X 1 UNC FLANGE BOLT (GRADE 8).....	6
7	141A1610	1/2 X 1 1/4 UNC FLANGE BOLT (GRADE 8).....	12
8	144P0804	10-32 X 1/2 TRUSS HEAD MAC. SCREW.....	2
9	14550404	#4 X 1/4 DRIVE SCREW.....	2
10	14752402	3/4 UNF HEX JAM NUT, O&P	2
11	14772006	5/8 UNF HEX TOP LOCK NUT (GR C) O&P	4
12	14772406	3/4 UNF HEX TOP LOCK NUT (GR C) O&P	8
13	14801204	3/8 UNC TOP LOCK FL NUT (GR G) O&P.....	6
14	14801604	1/2 UNC TOP LOCK FL NUT (GR G) O&P.....	2
15	14851200	3/8 LOCK WASHER	4
16	14882402	3/4 SAE HARDENED WASHER.....	16
17	15001329	PLATE- ID, SUSPENSION	1
18	80001203	CROSSMEMBER-DURALIFT2.....	1
19	800A0119	CONTROL-AIR, LIFT SPRING.....	1
20	800A0120	BRACKET-MOUNT, FASTENER.....	2
21	800A0121	BRACKET-MOUNT, FASTENER.....	2
22	800A0130	ACTUATOR-SPRING, LIFT.....	2
23	810A0055	BRACKET-HANGER, SUSPENSION.....	1
24	810A0056	BRACKET-HANGER, SUSPENSION.....	1
25	820A0033	ARM-CONNECTING.....	4
26	830A0014	ASSEMBLY-AXLE, 8K DURALIFT2	1

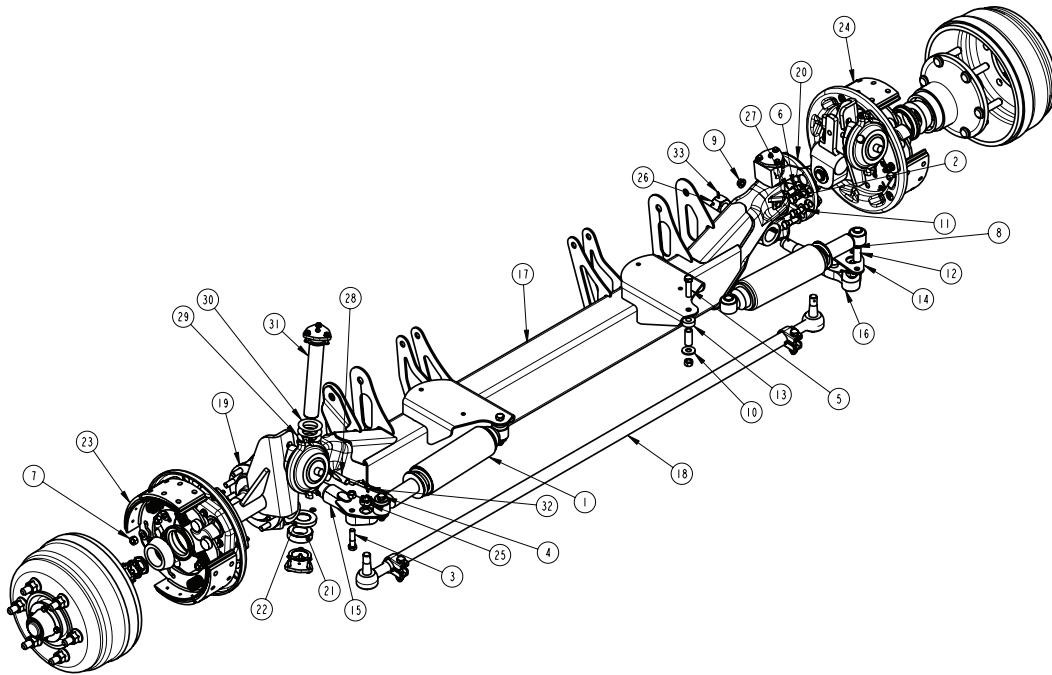
REPLACEMENT KIT PART NUMBERS:

ARM BUSHING:
800A0133

DURALIFT II 8K SELF-STEER

Link Part Number: 830A0014 - Non-Current

Axle Assembly for 8A00499 Suspension



**REPLACEMENT
KIT PART
NUMBERS:**

KINGPIN KIT:
84001933

SHOCK KIT:
12100015

(MUST ALSO ORDER
SPACER KIT: 12100016
WITH SHOCK KIT FOR
THIS SUSPENSION)

ITEM	PART NO	PART DESCRIPTION	QTY
1	12100010	SHOCK ABSORBER-COIL SPRING, STEERING.....	2
2	14021614	1/2 X 1 3/4 UNC HEX CAP SCR (GR 8).....	12
3	140D1616	1/2 X 2 UNF HEX CAP SCR (GR 8) O&P.....	2
4	140D1622	1/2 2 3/4 UNF HEX CAP SCR (GR 8) O&P.....	2
5	140D1626	1/2 3 1/4 UNF HEX CAP SCR (GR 8) O&P.....	2
6	14741600	1/2 UNC HEX JAM NUT.....	2
7	14761601	1/2 UNC HEX TOP LOCK NUT (GR C).....	12
8	14771606	1/2 UNF HEX TOP LOCK NUT (GR G) O&P.....	6
9	14801404	7/16 UNC TOP LOCK FL NUT (GR G) O&P.....	2
10	14871600	1/2 TYPE A PLAIN WASHR.....	4
11	14881602	1/2 SAE HARDENED WASHER.....	24
12	80000009	BUSHING-SHOCK, ACETAL.....	4
13	83000079	SPACER-MOUNT, SHOCK.....	2
14	83000096	PLATE-MOUNT, SHOCK.....	2
15	83000097	ARM-STEERING, 8K.....	1
16	83000098	ARM-STEERING, 8K.....	1
17	830A0011	AXLE-FAB., 8K DURALIFT2.....	1
18	84001034	TIE ROD ASSEMBLY.....	1
19	84001233	ASSEMBLY-KNUCKLE, 8K (LEFT).....	1
20	84001234	ASSEMBLY-KNUCKLE, 8K (RIGHT).....	1
21	84001433	BEARING-THRUST.....	2
22	84001434	CAP-BEARING.....	2
23	84001612	BRAKE ASSY-L (ARVIN MERITOR Q4325101167L).....	1
24	84001613	BRAKE ASSY-R (ARVIN MERITOR Q4325101167R).....	1
25	84001697	NUT-HEX, SLOTTED, .75.....	2
26	84001698	NUT-HEX, SLOTTED, 1.13.....	2
27	84001699	BOLT-STOP, STEERING.....	2
28	84001928	PIN-DRAW, LOCKING.....	2
29	84001988	SHIM (.005).....	4
30	84001989	SHIM (.010).....	4
31	84001990	PIN-KING, 8K.....	2
32	84001995	PIN-COTTER, .13 X 1.75.....	2
33	84001996	PIN-COTTER, .18 X 2.00.....	2

SPEC'ING

SELF-STEER
LIFT AXLES

NON-STEER
LIFT AXLES

OPTIONAL
EQUIPMENT

SERVICE
PARTS

DURALIFT II 8K SELF-STEER

Link Part Number: 8A000711 - Non-Current

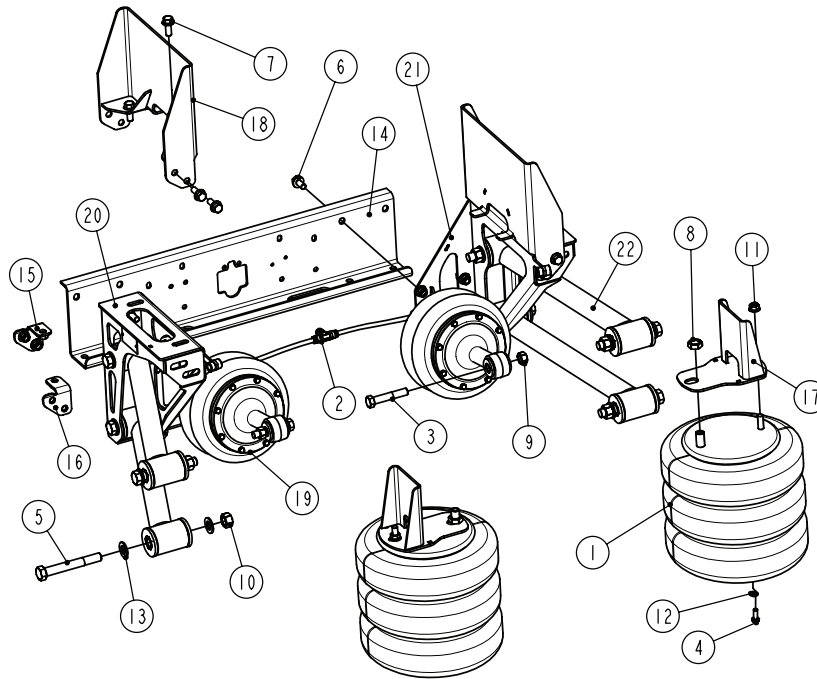
SPEC'ING

SELF-STEER
LIFT AXLES

NON-STEER
LIFT AXLES

OPTIONAL
EQUIPMENT

SERVICE
PARTS



ITEM PART NO PART DESCRIPTION

ITEM	PART NO	PART DESCRIPTION	QTY
1	11030056	SPRING-AIR	2
2	13025061	TEE-UNION, 3/8 TUBE	1
3	14032028	5/8 X 3 1/2 UNF HEX CAP SCR (GR 5)	4
4	140B1208	3/8 X 1 UNC HEX CAP SCR (GR 8) O&P	4
5	140D2446	3/4 X 5 3/4 UNF HEX CAP SCR (GR 8) O&P	8
6	14111608	1/2 X 1 UNC FLANGE BOLT (GRADE 8)	8
7	141A1610	1/2 X 1 1/4 UNC FLANGE BOLT (GRADE 8)	12
8	14752402	3/4 UNF HEX JAM NUT, O&P	2
9	14772006	5/8 UNF HEX TOP LOCK NUT (GR C) O&P	4
10	14772406	3/4 UNF HEX TOP LOCK NUT (GR C) O&P	8
11	14801604	1/2 UNC TOP LOCK FL NUT (GR G) O&P	10
12	14851200	3/8 LOCK WASHER	4
13	14882402	3/4 SAE HARDENED WASHER	16
14	80002109	CROSSMEMBER-DURALIFT2	1
15	800A0120	BRACKET-MOUNT, FASTENER	2
16	800A0121	BRACKET-MOUNT, FASTENER	2
17	SEE NOTE 1	BRACKET-MOUNT, AIRSPRING	2
18	SEE NOTE 1	BRACKET-MOUNT, FRAME	2
19	800A0258	ACTUATOR-SPRING, LIFT	2
20	810A0094	BRACKET-HANGER, SUSPENSION	1
21	810A0095	BRACKET-HANGER, SUSPENSION	1
22	820A0033	ARM-CONNECTING	4

IMPORTANT NOTES:

NOTES:
1. MULTIPLE OPTIONS
EXIST—CALL FOR
DETAILS.

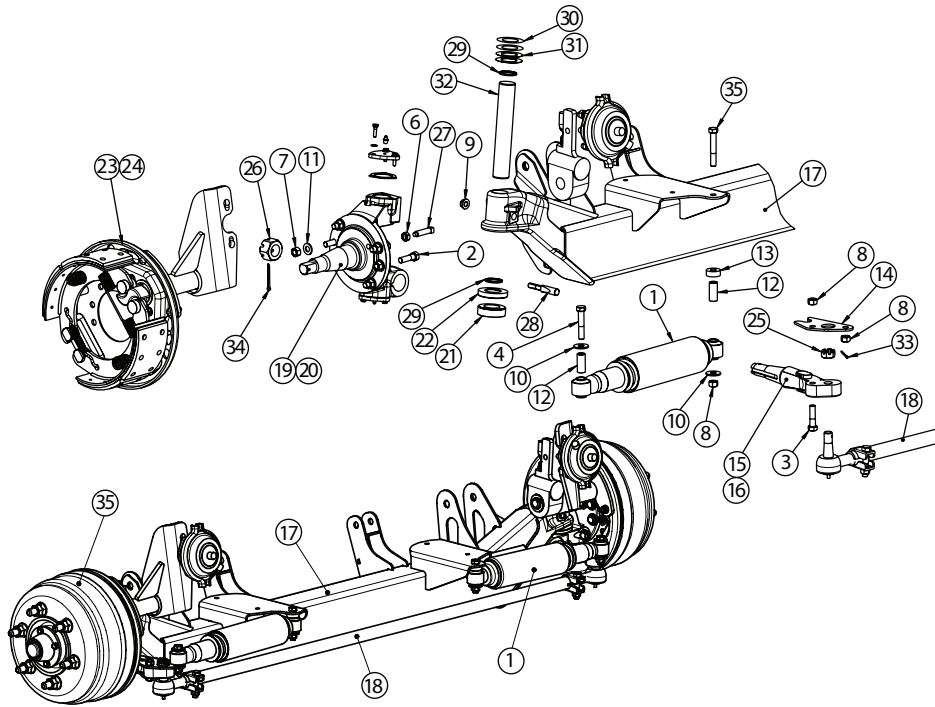
REPLACEMENT KIT PART NUMBERS:

ARM BUSHING KIT:
800A0133

DURALIFT II 8K SELF-STEER

Link Part Number: 830A0303 - Non-Current

Axle Assembly for 8A000711 Suspension



**REPLACEMENT
KIT PART
NUMBERS:**

KINGPIN KIT:
84001933

SHOCK KIT:
12100015

ITEM	PART NO	PART DESCRIPTION	QTY
1	12100012	SHOCK ABSORBER, WIDE BODY	2
2	14021614	1/2 X 1 3/4 UNC HEX CAP SCR (GR 8)	12
3	140D1616	1/2 X 2 UNF HEX CAP SCR (GR 8) O&P	2
4	140D1622	1/2 X 2 3/4 UNF HEX CAP SCR (GR 8) O&P	2
5	140D1626	1/2 X 3 1/4 UNF HEX CAP SCR (GR 8) O&P	2
6	14741600	1/2 UNC HEX JAM NUT	2
7	14761601	1/2 UNC HEX TOP LOCK NUT (GR C)	12
8	14771606	1/2 UNF HEX TOP LOCK NUT (GR C) O&P	6
9	14801404	7/16 UNC TOP LOCK FL NUT (GR G) O&P	2
10	14871600	1/2 TYPE A PLAIN WASHER.....	4
11	14881602	1/2 SAE HARDENED WASHER.....	24
12	80000009	BUSHING-SHOCK, ACETAL.....	4
13	83000079	SPACER-MOUNT, SHOCK.....	2
14	83000096	PLATE-MOUNT, SHOCK.....	2
15	83000097	ARM-STEERING, 8K	1
16	83000098	ARM-STEERING, 8K	1
17	830A0301	AXLE-FAB., 8K DURALIFT2	1
18	84001034	TIE ROD ASSEMBLY	1
19	84001233	ASSEMBLY-KNUCKLE, 8K (LEFT)	1
20	84001234	ASSEMBLY-KNUCKLE, 8K (RIGHT).....	1
21	84001433	BEARING-THRUST	2
22	84001434	CAP-BEARING	2
23	84001612	BRAKE ASSY-L.....	1
24	84001613	BRAKE ASSY-R.....	1
25	84001697	NUT-HEX, SLOTTED, .75	2
26	84001698	NUT-HEX, SLOTTED, 1.13	2
27	84001699	BOLT-STOP, STEERING	2
28	84001928	PIN-DRAW, LOCKING.....	2
29	84001987	SEAL-KNUCKLE.....	4
30	84001988	SHIM (.005).....	4
31	84001989	SHIM (.010).....	4
32	84001990	PIN-KING, 8K	2
33	84001995	PIN-COTTER, .13 X 1.75.....	2
34	84001996	PIN-COTTER, .18 X 2.00.....	2
35	84001508	HUB AND DRUM_FN, 12.8 X 4.....	2

SPEC'ING

SELF-STEER
LIFT AXLES

NON-STEER
LIFT AXLES

OPTIONAL
EQUIPMENT

SERVICE
PARTS

DURALIFT II 8K SELF-STEER

Link Part Number: 8A000716 - Non-Current

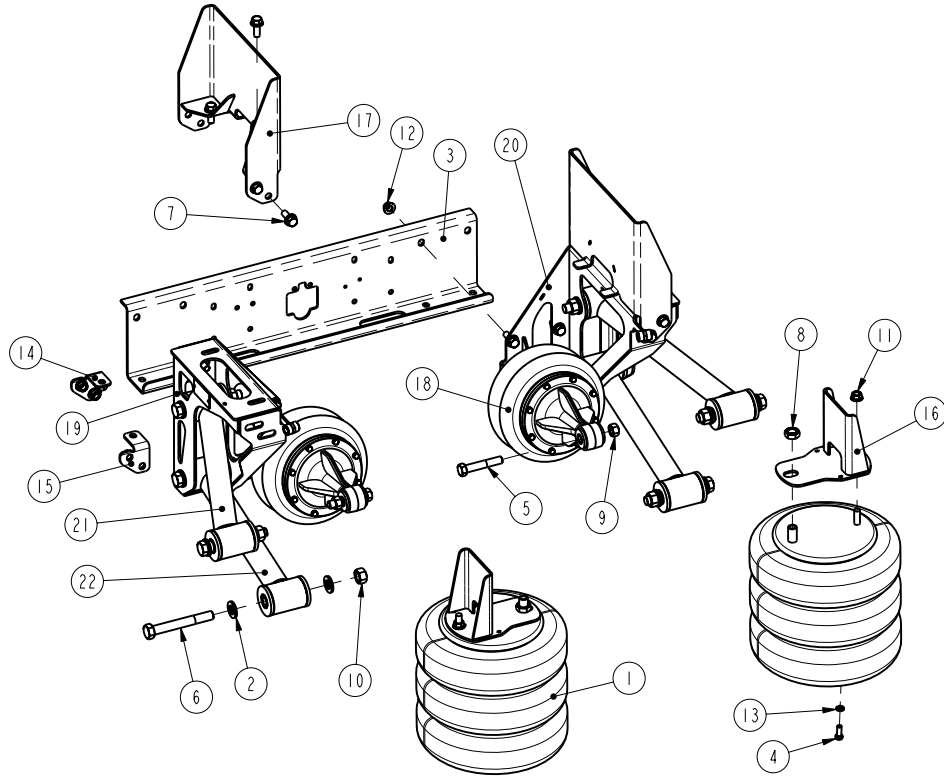
SPEC'ING

SELF-STEER
LIFTAXLES

NON-STEER
LIFTAXLES

OPTIONAL
EQUIPMENT

SERVICE
PARTS



ITEM	PART NO	PART DESCRIPTION	QTY
1	11030056	SPRING-AIR	2
2	14882402	3/4 HARDENED WASHER, ZINC PLATED.....	16
3	80002109	CROSSMEMBER-DURALIFT2.....	1
4	140B1208	3/8 X 1 UNC HEX CAP SCR (GR 8) O&P.....	4
5	140D2028	5/8 X 3 1/2 UNF HEX CAP SCR (GR 8) O&P	4
6	140D2446	3/4 X 5 3/4 UNF HEX CAP SCR (GR 8) O&P	8
7	141A1610	1/2 X 1 1/4 UNC FLANGE BOLT (GR 8) O&P	20
8	14752402	3/4 UNF HEX JAM NUT, O&P	2
9	14772006	5/8 UNF HEX TOP LOCK NUT (GR C) O&P	4
10	14772406	3/4 UNF HEX TOP LOCK NUT (GR C) O&P	8
11	14801600	1/2 UNC SERRATED FLANGE NUT.....	2
12	14801604	1/2 UNC TOP LOCK FL NUT (GR G) O&P.....	8
13	14851200	3/8 LOCK WASHER	4
14	800A0120	BRACKET-MOUNT, FASTENER.....	2
15	800A0121	BRACKET-MOUNT, FASTENER.....	2
16	SEE NOTE 1	BRACKET-MOUNT, AIRSPRING.....	2
17	SEE NOTE 1	BRACKET-MOUNT, FRAME.....	2
18	800A0309	ACTUATOR-SPRING, LIFT.....	2
19	810A0096	BRACKET-HANGER, SUSPENSION.....	1
20	810A0097	BRACKET-HANGER, SUSPENSION.....	1
21	820A0033	ARM-CONNECTING.....	2
22	820A0084	ARM-CONNECTING.....	2

IMPORTANT NOTES:

NOTES:
1. MULTIPLE OPTIONS
EXIST—CALL FOR
DETAILS.

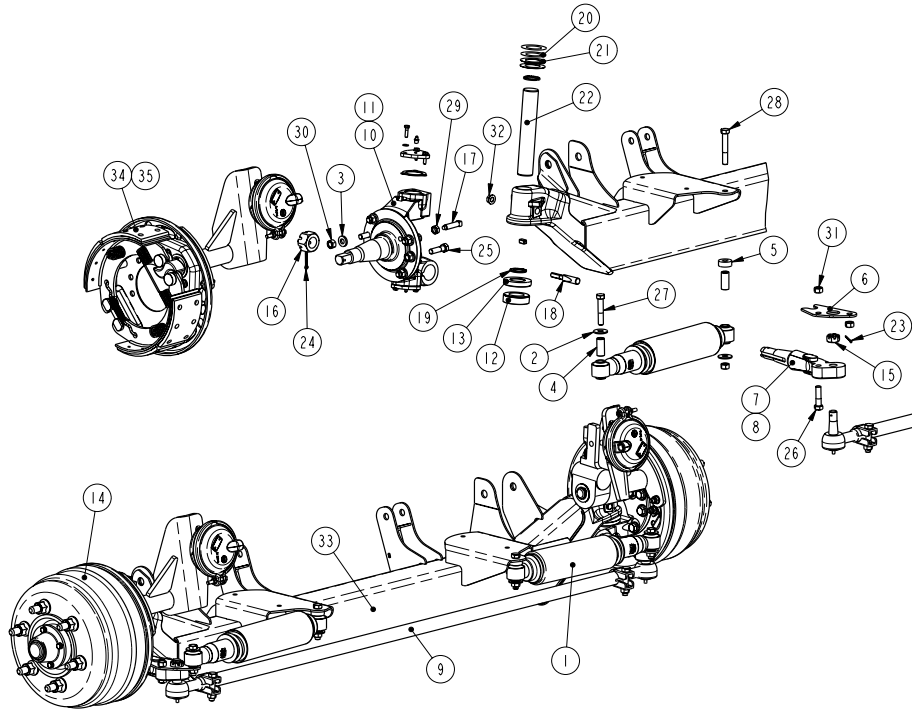
REPLACEMENT KIT PART NUMBERS:

ARM BUSHING KIT:
800A0133

DURALIFT II 8K SELF-STEER

Link Part Number: 830A0308 - Non-Current

Axle Assembly for 8A000716 Suspension



**REPLACEMENT
KIT PART
NUMBERS:**

KING PIN KIT:
84001933

SHOCK KIT:
12100015

ITEM	PART NO	PART DESCRIPTION	QTY
1	12100012	SHOCK ABSORBER, WIDE BODY	2
2	14871600	1/2 TYPE A PLAIN WASHER.....	4
3	14881602	1/2 HARDENED WASHER, ZINC PLATED.....	24
4	80000009	BUSHING-SHOCK, ACETAL.....	4
5	83000079	SPACER-MOUNT, SHOCK.....	2
6	83000096	PLATE-MOUNT, SHOCK.....	2
7	83000097	ARM-STEERING, 8K	1
8	83000098	ARM-STEERING, 8K	1
9	84001034	TIE ROD ASSEMBLY.....	1
10	84001233	ASSEMBLY-KNUCKLE, 8K (LEFT)	1
11	84001234	ASSEMBLY-KNUCKLE, 8K (RIGHT).....	1
12	84001433	BEARING-THRUST	2
13	84001434	CAP-BEARING	2
14	84001508	HUB & DRUM-FN, 12.8X4	2
15	84001697	NUT-HEX, SLOTTED, .75	2
16	84001698	NUT-HEX, SLOTTED, 1.13	2
17	84001699	BOLT-STOP, STEERING	2
18	84001928	PIN-DRAW, LOCKING.....	2
19	84001987	SEAL-KNUCKLE.....	4
20	84001988	SHIM (.005)	4
21	84001989	SHIM (.010).....	4
22	84001990	PIN-KING, 8K	2
23	84001995	PIN-COTTER, .13 X 1.75	2
24	84001996	PIN-COTTER, .18 X 2.00	2
25	14021614	1/2 X 1 3/4 UNC HEX CAP SCR (GR 8).....	12
26	140D1616	1/2 X 2 UNF HEX CAP SCR (GR 8) O&P	2
27	140D1622	1/2 X 2 3/4 UNF HEX CAP SCR (GR 8) O&P	2
28	140D1626	1/2 X 3 1/4 UNF HEX CAP SCR (GR 8) O&P.....	2
29	14741600	1/2 UNC HEX JAM NUT.....	2
30	14761601	1/2 UNC HEX TOP LOCK NUT (GR C)	12
31	14771606	1/2 UNF HEX TOP LOCK NUT (GR C) O&P	6
32	14801404	7/16 UNC TOP LOCK FL NUT (GR G) O&P.....	2
33	830A0307	AXLE-FAB., 8K DURALIFT2	1
34	84001612	BRAKE ASSY-L.....	1
35	84001613	BRAKE ASSY-R.....	1

SPEC'ING

SELF-STEER
LIFTAXLES

NON-STEER
LIFTAXLES

OPTIONAL
EQUIPMENT

SERVICE
PARTS

DURALIFT II 8K SELF-STEER

Link Part Number 8A000726 - Current

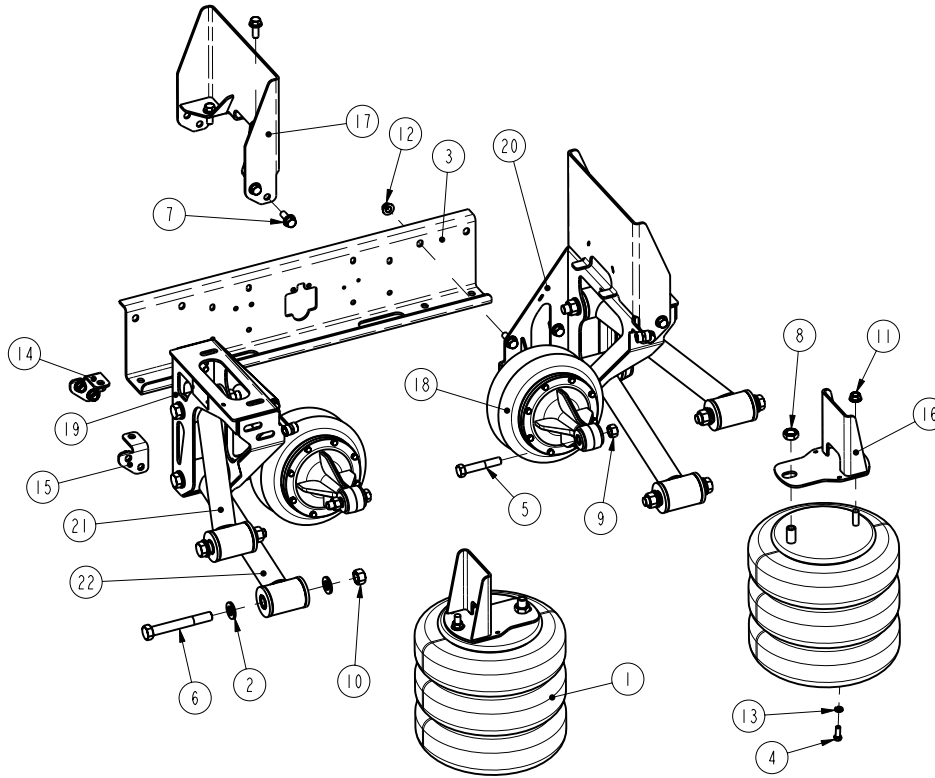
SPEC'ING

SELF-STEER
LIFTAXLES

NON-STEER
LIFTAXLES

OPTIONAL
EQUIPMENT

SERVICE
PARTS



ITEM	PART NO	PART DESCRIPTION	QTY
1	11030056	SPRING-AIR	2
2	14882402	3/4 HARDENED WASHER, ZINC PLATED.....	16
3	80002109	CROSSMEMBER-DURALIFT2.....	1
4	140B1208	3/8 X 1 UNC HEX CAP SCR (GR 8) O&P.....	4
5	140D2028	5/8 X 3 1/2 UNF HEX CAP SCR (GR 8) O&P	4
6	140D2446	3/4 X 5 3/4 UNF HEX CAP SCR (GR 8) O&P	8
7	141A1610	1/2 X 1 1/4 UNC FLANGE BOLT (GR 8) O&P	20
8	14752402	3/4 UNF HEX JAM NUT, O&P	2
9	14772006	5/8 UNF HEX TOP LOCK NUT (GR C) O&P	4
10	14772406	3/4 UNF HEX TOP LOCK NUT (GR C) O&P	8
11	14801600	1/2 UNC SERRATED FLANGE NUT.....	2
12	14801604	1/2 UNC TOP LOCK FL NUT (GR G) O&P.....	8
13	14851200	3/8 LOCK WASHER	4
14	800A0120	BRACKET-MOUNT, FASTENER.....	2
15	800A0121	BRACKET-MOUNT, FASTENER.....	2
16	SEE NOTE 1	BRACKET-MOUNT, AIRSPRING.....	2
17	SEE NOTE 1	BRACKET-MOUNT, FRAME.....	2
18	800A0309	ACTUATOR-SPRING, LIFT.....	2
19	810A0096	BRACKET-HANGER, SUSPENSION.....	1
20	810A0097	BRACKET-HANGER, SUSPENSION.....	1
21	820A0033	ARM-CONNECTING.....	2
22	820A0084	ARM-CONNECTING.....	2

IMPORTANT NOTES:

NOTES:
1. MULTIPLE OPTIONS
EXIST—CALL FOR
DETAILS.

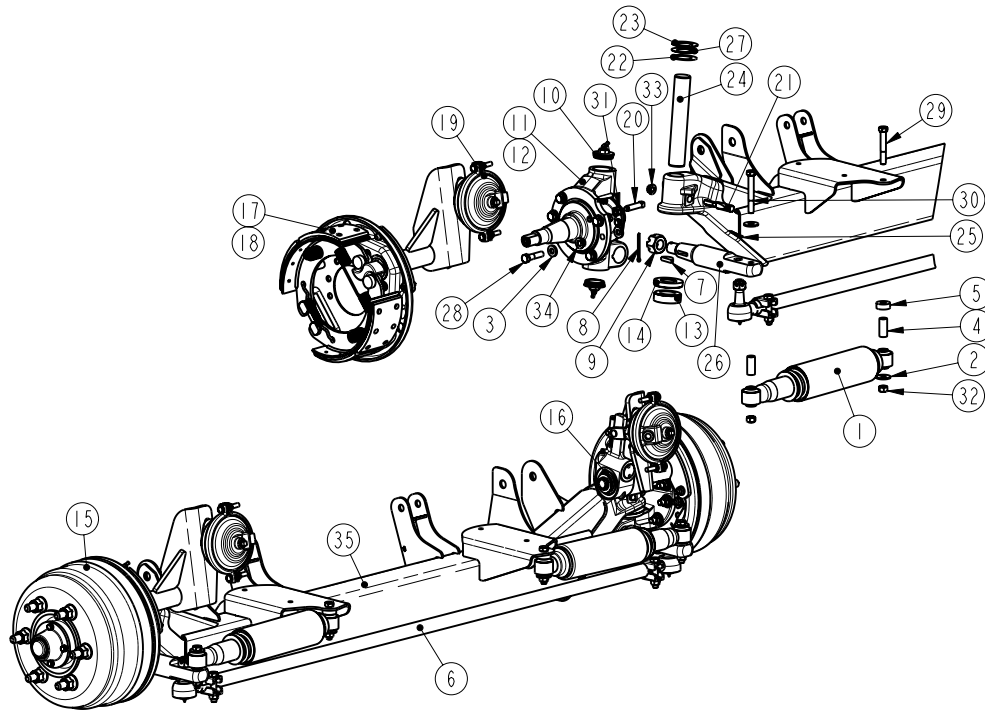
REPLACEMENT KIT PART NUMBERS:

ARM BUSHING KIT:
800A0133

DURALIFT II 8K SELF-STEER

Link Part Number 830A0315 - Current

Axle Assembly for 8A000726 Suspension



**REPLACEMENT
KIT PART
NUMBERS:**

KING PIN KIT:
84001997

SHOCK KIT:
12100015

ITEM	PART NO	PART DESCRIPTION	QTY
1	12100012	SHOCK ABSORBER, WIDE BODY.....	2
2	14871600	1/2 TYPE A PLAIN WASHER.....	4
3	14881602	1/2 HARDENED WASHER, ZINC PLATED.....	24
4	80000009	BUSHING-SHOCK, ACETAL.....	4
5	83000079	SPACER-MOUNT, SHOCK.....	2
6	84001048	TIE-ROD ASSEMBLY, 8K.....	1
7	84001049	KEY-WOODRUFF.....	2
8	84001050	PIN-COTTER, .18 X 2.25.....	2
9	84001051	NUT-HEX, SLOTTED, 1.00-14.....	2
10	84001052	CAP-KING PIN, 8K.....	4
11	84001249	KNUCKLE-STEER, LH.....	1
12	84001250	KNUCKLE-STEER, RH.....	1
13	84001433	BEARING-THRUST.....	2
14	84001434	CAP-BEARING.....	2
15	84001508	HUB & DRUM-FN, 12.8X4.....	2
16	84001656	KIT-SLACK ADJUSTER.....	2
17	84001658	BRAKE ASSEMBLY-LH.....	1
18	84001659	BRAKE ASSEMBLY-RH.....	1
19	84001661	BRAKE CHAMBER-TYPE 12.....	2
20	84001699	BOLT-STOP, STEERING.....	2
21	84001928	PIN-DRAW, LOCKING.....	2
22	84001988	SHIM (.005).....	2
23	84001989	SHIM (.010).....	2
24	84001990	PIN-KING, 8K.....	2
25	84001995	PIN-COTTER, .13 X 1.75.....	2
26	84002009	ARM-STEERING, MACHINED.....	2
27	84002013	SHIM (.015).....	2
28	140D1616	1/2 X 2 UNF HEX CAP SCR (GR 8) O&P.....	12
29	140D1626	1/2 X 3 1/4 UNF HEX CAP SCR (GR 8) O&P.....	2
30	140D1630	1/2 X 3 3/4 UNF HEX CAP SCR (GR 8) O&P.....	2
31	14741600	1/2 UNC HEX JAM NUT.....	2
32	14771606	1/2 UNF HEX TOP LOCK NUT (GR C) O&P.....	4
33	14801404	7/16 UNC TOP LOCK FL NUT (GR G) O&P.....	2
34	14801605	1/2 UNF TOP LOCK FL NUT (GR G) O&P.....	12
35	830A0310	AXLE-FAB., 8K DURALIFT2.....	1

SPEC'ING

SELF-STEER
LIFTAXLES

NON-STEER
LIFTAXLES

OPTIONAL
EQUIPMENT

SERVICE
PARTS

DURALIFT 13K SELF-STEER

Link Part Number: 8A000467 - Non-Current

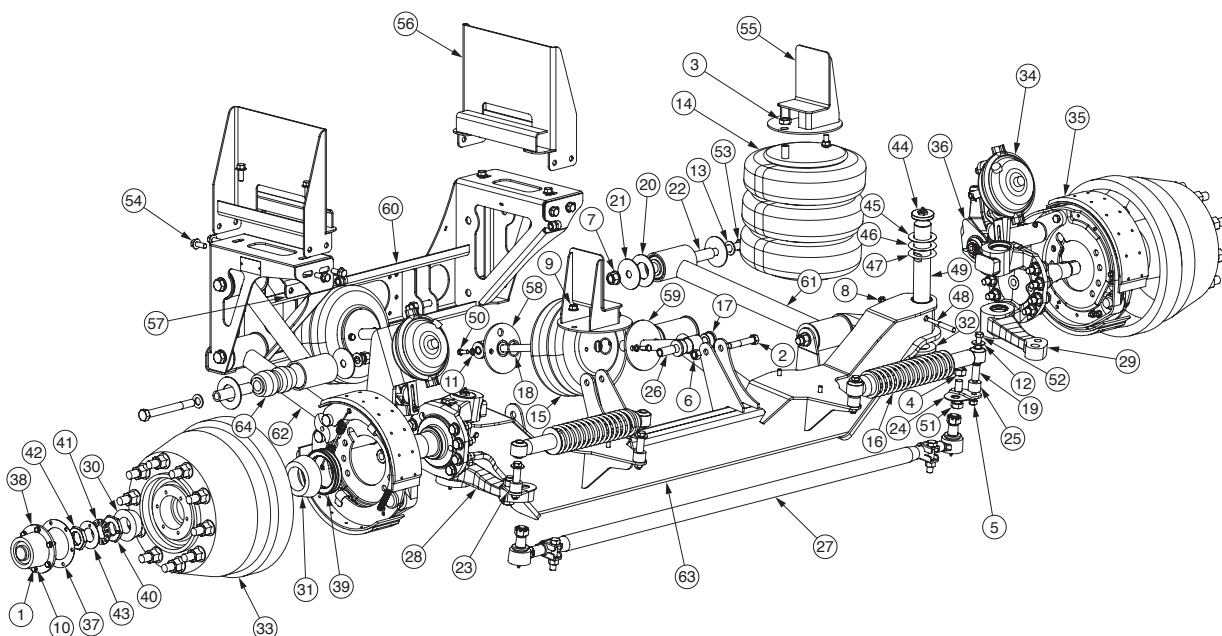
SPEC'ING

SELF-STEER
LIFT AXLES

NON-STEER
LIFT AXLES

OPTIONAL
EQUIPMENT

SERVICE
PARTS



ITEM	PART NO	PART DESCRIPTION	QTY	ITEM	PART NO	PART DESCRIPTION	QTY
1	14011006	5/16 X 3/4 UNC HEX CAP SCR (GR 5).....	12	33	SEE NOTE	HUB & DRUM.....	2
2	14032028	5/8 X 3 1/2 UNF HEX CAP SCR (GR 5)....	4	34	84001635	CHAMBER-SERVICE, TYPE 20.....	2
3	14752402	3/4 UNF HEX JAM NUT, O&P.....	2	35	84001653	PAD-BRAKE, DANA.....	4
4	14762406	3/4 UNC HEX TOP LOCK NUT (GR C) O&P..	2	36	84001663	SLACK ADJUSTER-AUTO.....	2
5	14771606	1/2 UNF HEX TOP LOCK NUT (GR C) O&P..	4	37	SEE NOTE	GASKET.....	2
6	14772006	5/8 UNF HEX TOP LOCK NUT (GR C) O&P..	4	38	SEE NOTE	CAP, HUB.....	2
7	14772406	3/4 UNF HEX TOP LOCK NUT (GR C) O&P..	8	39	84001687	SEAL-OIL.....	2
8	14801204	3/8 UNC TOP LOCK FL NUT (GR G) O&P....	2	40	84001721	NUT-INNER, JAM.....	2
9	14801604	1/2 UNC TOP LOCK FL NUT (GR G) O&P....	2	41	84001722	WASHER-LOCK, SPINDLE.....	2
10	14851000	5/16 LOCK WASHER.....	12	42	84001723	NUT-OUTER, JAM.....	2
11	14851200	3/8 LOCK WASHER.....	12	43	84001724	WASHER-RETAINER.....	2
12	14871600	1/2 TYPE A PLAIN WASHER.....	4	44	84001902	CAP-KNUCKLE.....	4
13	14882402	3/4 SAE HARDENED WASHER.....	16	45	84001903	SHIM (.030).....	2
14	11030056	SPRING-AIR.....	2	46	84001904	SHIM (.010).....	2
15	11030059	SPRING-AIR.....	2	47	84001905	SHIM (.005).....	2
16	12100001	SHOCK ABSORBER.....	2	48	84001906	PIN-DRAW, LOCKING.....	2
17	15000846	BUSHING.....	8	49	84001907	PIN-KING, DANA.....	2
18	15001604	O-RING, 1.484 I.D. X .139 SECTION.....	4	50	140B-1208	3/8 X 1 UNC HEX CAP SCR (GR 8) O&P....	12
19	80000009	BUSHING-SHOCK, ACETAL.....	4	51	140B-2420	3/4 X 2 1/2 UNC HEX CAP SCR (GR 8) O&P 2	2
20	80000130	WASHER-WEAR.....	4	52	140D-1630	1/2 X 3 3/4 UNF HEX CAP SCR (GR 8) O&P 4	4
21	80000131	WASHER-WEAR.....	14	53	140D-2456	3/4 X 7 UNF HEX CAP SCR (GR 8) O&P.....	8
22	80000135	SPACER-TUBE.....	8	54	141A-1610	1/2 X 1 1/4 UNC FLANGE BOLT (GR 8) O&P12	2
23	80000802	TAB-MOUNT, SHOCK.....	1	55	SEE NOTE	BRACKET-MOUNT, AIR SPRING.....	2
24	80000803	TAB-MOUNT, SHOCK.....	1	56	SEE NOTE	BRACKET-MOUNT, FRAME.....	2
25	80000804	SPACER-MOUNT, SHOCK.....	4	57	800A0080	BRACKET-MOUNT, FASTENER.....	4
26	80000835	TUBE-BUSHING.....	4	58	800A0088	BRACKET-MOUNT, AIR SPRING.....	2
27	84001038	ASSEMBLY-ROD, TIE.....	1	59	800A0089	BRACKET-MOUNT, AIR SPRING.....	2
28	84001224	ASSEMBLY-KNUCKLE, DANA (LEFT).....	1	60	810A0017	BRACKET-MOUNT, SUSPENSION.....	1
29	84001225	ASSEMBLY-KNUCKLE, DANA (RIGHT).....	1	61	820A0030	ARM-CONNECTING, TOP.....	2
30	84001403	BEARING-ROLLER, CONE.....	2	62	820A0031	ARM-CONNECTING, BOTTOM.....	2
31	84001404	BEARING-ROLLER, CONE.....	2	63	830A0006	AXLE-FAB., 13K DURALIFT.....	1
32	84001432	BEARING-THRUST.....	2	64	15000870	BUSHING - PIVOT, RUBBER.....	4

IMPORTANT NOTES:
1) MULTIPLE OPTIONS EXIST, CALL FOR DETAILS

REPLACEMENT KIT PART NUMBERS:

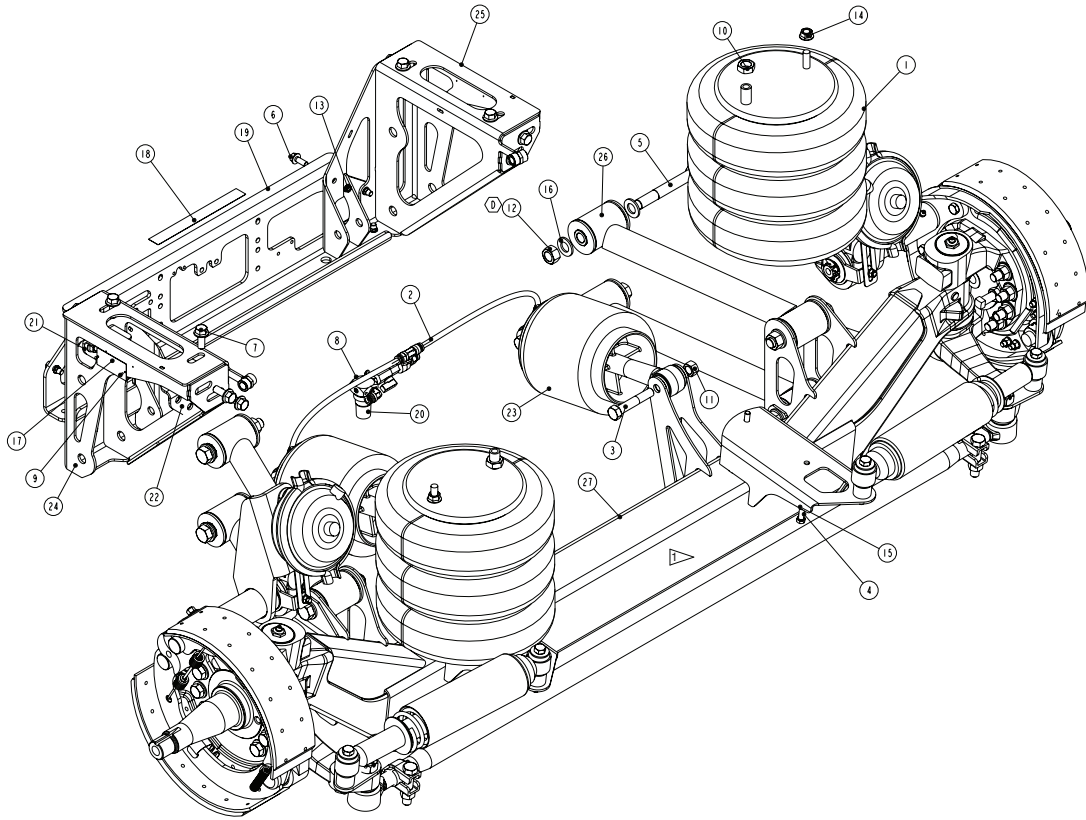
ARM BUSHING KIT:
800A0077

KING PIN KIT:
84001931

ACTUATOR ASSEMBLY:
800A0087

DURALIFT II 13.2K SELF-STEER

Link Part Number: 8A000490 Pre July 2006 - Non-Current



SPEC'ING

SELF-STEER
LIFT AXLES

NON-STEER
LIFT AXLES

OPTIONAL
EQUIPMENT

SERVICE
PARTS

IMPORTANT NOTES:

DATE/SERIAL NO. 06290
JULIAN DAY CODE
YEAR
 PRIOR TO DATE AFTER DATE
 PART NO. PART NO.
 830A0009 830A0016

**REPLACEMENT
KIT PART
NUMBERS:**

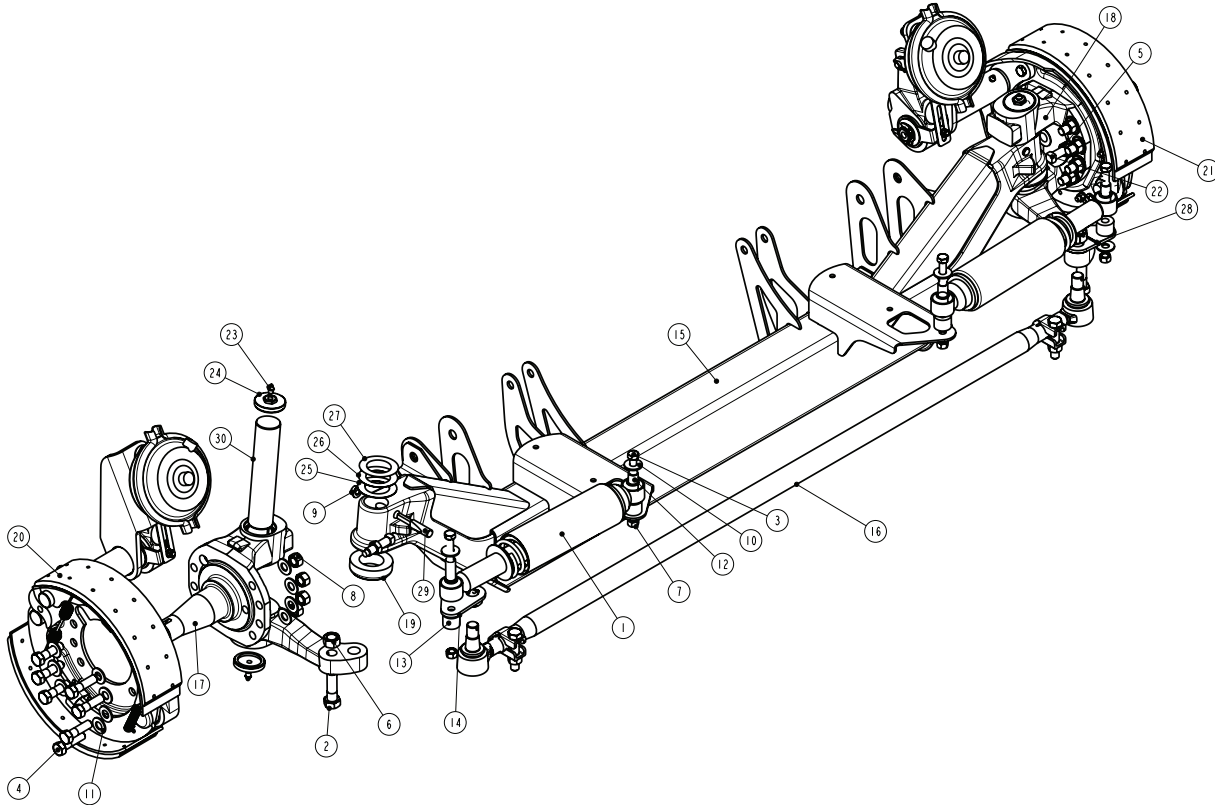
- ARM BUSHING KIT:
800A0133
- SHOCK KIT:
12100015
(MUST ALSO ORDER
SPACER KIT: 12100016
WITH SHOCK KIT FOR
THIS SUSPENSION)

ITEM	PART NO	PART DESCRIPTION	QTY
1	11030056	SPRING-AIR	2
2	13034000	AIRLINE-NYLON, .375 O.D., BULK	2.5 FT
3	14032028	5/8 X 3 1/2 UNF HEX CAP SCR (GR 5).....	4
4	140B1208	3/8/ X 1 UNC HEX CAP SCR (GR 8) O&P.....	4
5	140D2446	3/4 X 5 1/2 UNF HEX CAP SCR (GR 8) O&P	8
6	14111208	3/8 X 1 UNC FLANG BOLD (GRADE 8)	6
7	141A1610	1/2 X 1 1/4 UNC FLANGE BOLT (GRADE 8).....	12
8	144P0B04	10-32 X 1/2 TRUSS HEAD MAC. SCREW	2
9	14550404	#4 X 1/4 DRIVE SCREW	2
10	14752402	3/4 UNF HEX JAM NUT, O&P	2
11	14772006	5/8 UNF HEX TOP LOCK NUT (GR C) O&P	4
12	14772406	3/4 UNF HEX TOP LOCK NUT (GR C) O&P	8
13	14801204	3/8 UNC TOP LOCK FL NUT (GR G) O&P.....	6
14	14801604	1/2 UNC TOP LOCK NUT (GR G) O&P.....	2
15	14851200	3/8 LOCK WASHER	4
16	14882402	3/4 SAE HARDENED WASHER.....	16
17	15001329	PLATE-ID, SUSPENSION	1
18	15001344	DECAL-DURALIFT2.....	1
19	80001203	CROSSMEMBER-DURALIFT2.....	1
20	800A0119	CONTROL-AIR, LIFT SPRING.....	1
21	800A0120	BRACKET-MOUNT, FASTENER.....	2
22	800A0121	BRACKET-MOUNT, FASTENER.....	2
23	800A0130	ACTUATOR-SPRING, LIFT.....	2
24	810A0055	BRACKET-HANGER, SUSPENSION.....	1
25	810A0056	BRACKET-HANGER, SUSPENSION.....	1
26	820A0033	ARM-CONNECTING.....	4
27	830A0009	ASSEMBLY-AXLE, 13K DURALIFT2 (SMALL KING PIN)	
27	830A0016	ASSEMBLY-AXLE, 13K DURALIFT2 (LARGE KING PIN).....	1

DURALIFT II 13.2K SELF-STEER

Link Part Number: 830A0016 - After June 2006 - Non-Current

Axle Assembly for 8A000490 Suspension



**REPLACEMENT
KIT PART
NUMBERS:**

KING PIN KIT:
84001934

SHOCK KIT:
12100015

ITEM	PART NO	PART DESCRIPTION	QTY
1	12100010	SHOCK ABSORBER	2
2	140B2420	3/4 X 2 1/2 UNC HEX CAP SCR (GR 8) O&P.....	2
3	140D1630	1/2 X 3 3/4 UNF HEX CAP SCR (GR 8) O&P	4
4	140D2018	5/8 X 2 1/4 UNF HEX CAP SCR (GR 8) O&P	14
5	14752000	5/8 UNF HEX JAM NUT	2
6	14762406	3/4 UNC HEX TOP LOCK NUT (GR C) O&P.....	2
7	14771606	1/2 UNF HEX TOP LOCK NUT (GR C) O&P	4
8	14772006	5/8 UNF HEX TOP LOCK NUT (GR C).....	14
9	14801404	7/16 UNC TOP LOCK FL NUT (GR G) O&P.....	2
10	14871600	1/2 TYPE A PLAIN WASHER.....	4
11	14882003	5/8 SAE PLAIN WASHER, OIL&PHOS.....	28
12	80000009	BUSHING-SHOCK, ACETAL.....	4
13	80000804	SPACER-MOUNT, SHOCK.....	4
14	83000078	TAB-MOUNT, SHOCK	2
15	830A0015	AXLE-FAB., 13K DURALIFT2	1
16	84001038	ASSEMBLY-ROD, TIE	1
17	84001243	ASSEMBLY-KNUCKLE, DANA (LEFT).....	1
18	84001244	ASSEMBLY-KNUCKLE, DANA (RIGHT)	1
19	84001435	BEARING-THRUST	2
20	84001607	ASSEMBLY-BRAKE, 15X 4L.....	1
21	84001608	ASSEMBLY-BRAKE, 15X 4R	1
22	84001731	BOLT-STOP, STEERING	2
23	84001901	FITTING-GREASE.....	4
24	84001902	CAP-KNUCKLE	4
25	84001903	SHIM (.030).....	2
26	84001904	SHIM (.010).....	2
27	84001905	SHIM (.005).....	2
28	84001912	PIN, COTTER.....	2
29	84001928	PIN-DRAW, LOCKING.....	2
30	84002020	PIN-KING, DANA.....	2

SPEC'ING

SELF-STEER
LIFT AXLES

NON-STEER
LIFT AXLES

OPTIONAL
EQUIPMENT

SERVICE
PARTS

DURALIFT II 13.2K SELF-STEER

Link Part Number: 8A000712- Non-Current

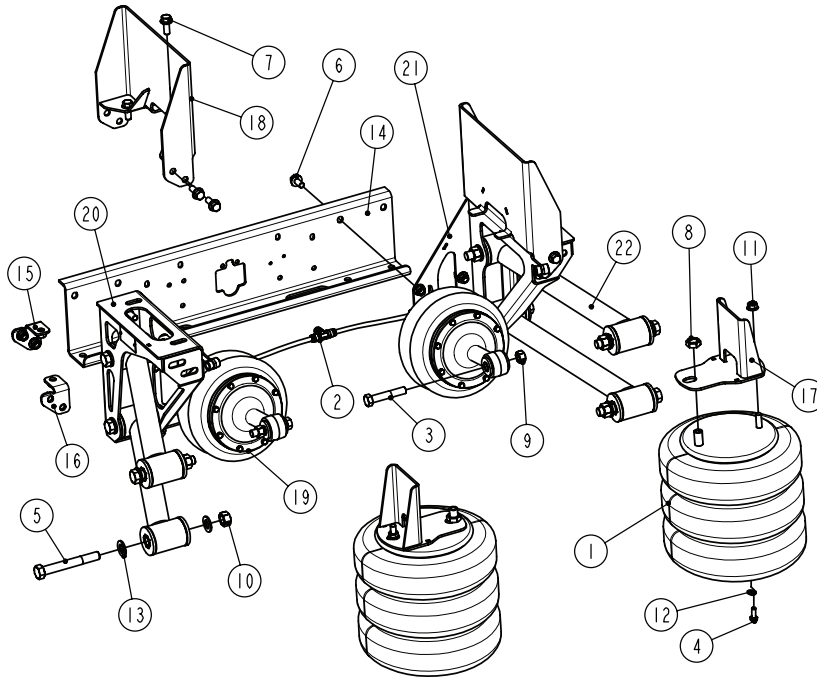
SPEC'ING

SELF-STEER
LIFT AXLES

NON-STEER
LIFT AXLES

OPTIONAL
EQUIPMENT

SERVICE
PARTS



ITEM	PART NO	PART DESCRIPTION	QTY
1	11030056	SPRING-AIR	2
2	13025061	TEE-UNION, 3/8 TUBE	1
3	14032028	5/8 X 3 1/2 UNF HEX CAP SCR (GR 5)	4
4	140B1208	3/8 X 1 UNC HEX CAP SCR (GR 8) O&P	4
5	140D2446	3/4 X 5 3/4 UNF HEX CAP SCR (GR 8) O&P	8
6	14111608	1/2 X 1 UNC FLANGE BOLT (GRADE 8)	8
7	141A1610	1/2 X 1 1/4 UNC FLANGE BOLT (GRADE 8)	12
8	14752402	3/4 UNF HEX JAM NUT, O&P	2
9	14772006	5/8 UNF HEX TOP LOCK NUT (GR C) O&P	4
10	14772406	3/4 UNF HEX TOP LOCK NUT (GR C) O&P	8
11	14801604	1/2 UNC TOP LOCK FL NUT (GR G) O&P	10
12	14851200	3/8 LOCK WASHER	4
13	14882402	3/4 SAE HARDENED WASHER	16
14	80002109	CROSSMEMBER-DURALIFT2	1
15	800A0120	BRACKET-MOUNT, FASTENER	2
16	800A0121	BRACKET-MOUNT, FASTENER	2
17	SEE NOTE 1	BRACKET-MOUNT, AIRSPRING	2
18	SEE NOTE 1	BRACKET-MOUNT, FRAME	2
19	800A0309	ACTUATOR-SPRING, LIFT	2
20	810A0094	BRACKET-HANGER, SUSPENSION	1
21	810A0095	BRACKET-HANGER, SUSPENSION	1
22	820A0033	ARM-CONNECTING	4

IMPORTANT NOTES:
NOTES:
1. MULTIPLE OPTIONS
EXIST—CALL FOR
DETAILS.

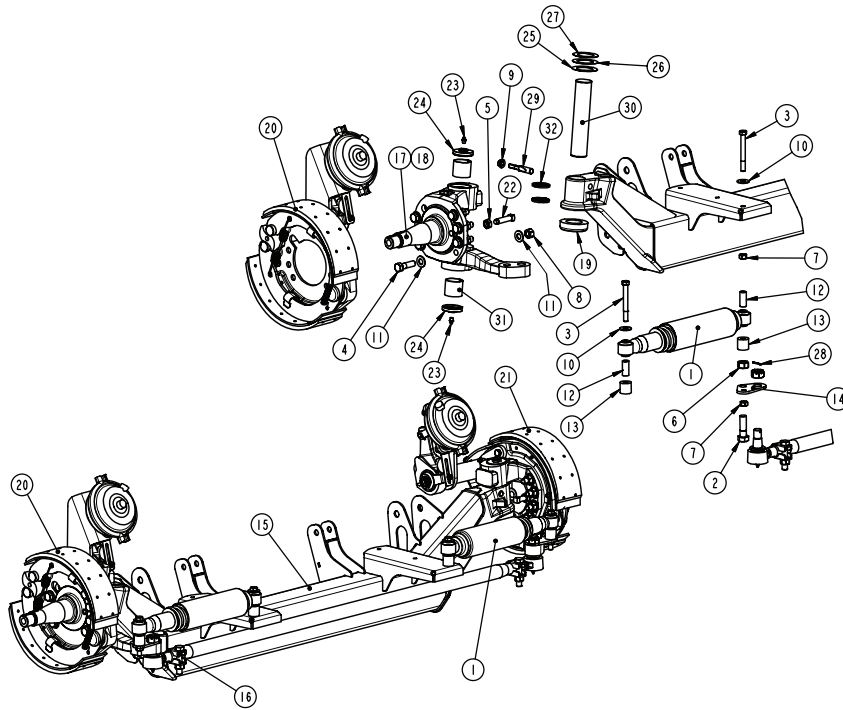
**REPLACEMENT
KIT PART
NUMBERS:**

ARM BUSHING KIT:
800A0133

DURALIFT II 13.2K SELF-STEER

Link Part Number: 830A0304 - Non-Current

Axle Assembly for 8A000712 Suspension



REPLACEMENT KIT PART NUMBERS:	ITEM	PART NO	PART DESCRIPTION	QTY
	1	12100012	SHOCK ABSORBER, WIDE BODY 2	
	2	140B2420	3/4 X 2 1/2 UNC HEX CAP SCR (GR 8) O&P	2
	3	140D1636	1/2 X 4 1/2 UNF HEX CAP SCR (GR 8) O&P	4
KING PIN KIT: 84001934	4	140D2018	5/8 X 2 1/4 UNF HEX CAP SCR (GR 8) O&P	14
	5	14752000	5/8 UNF HEX JAM NUT	2
	6	14762406	3/4 UNC HEX TOP LOCK NUT (GR C) O&P	2
SHOCK KIT: 12100015	7	14771606	1/2 UNF HEX TOP LOCK NUT (GR C) O&P	4
	8	14772006	5/8 UNF HEX TOP LOCK NUT (GR C) O&P	14
	9	14801404	7/16 UNC TOP LOCK FL NUT (GR G) O&P	2
	10	14871600	1/2 TYPE A PLAIN WASHER	4
	11	14882003	5/8 SAE PLAIN WASHER, OIL&PHOS	28
	12	80000009	BUSHING-SHOCK, ACETAL	4
	13	80001919	SPACER-MOUNT, SHOCK	4
	14	83000078	TAB-MOUNT, SHOCK	2
	15	830A0302	AXLE-FAB., 13K DURALIFT 2	1
	16	84001038	ASSEMBLY-ROD, TIE	1
	17	84001243	INTEGRAL KNUCKLE	1
	18	84001244	INTEGRAL KNUCKLE	1
	19	84001435	BEARING-THRUST	2
	20	84001607	ASSEMBLY-BRAKE, 15X 4L	1
	21	84001608	ASSEMBLY-BRAKE, 15X 4R	1
	22	84001731	BOLT-STOP, STEERING	2
	23	84001901	FITTING-GREASE	4
	24	84001902	CAP-KNUCKLE	4
	25	84001903	SHIM (.030)	2
	26	84001904	SHIM (.010)	2
	27	84001905	SHIM (.005)	2
	28	84001912	PIN, COTTER	2
	29	84001928	PIN-DRAW, LOCKING	2
	30	84002020	PIN-KING, DANA	2
	31	84002021	BUSHING-KNUCKLE	4
	32	84002022	SEAL-KNUCKLE	4

SPEC'ING

SELF-STEER
LIFT AXLES

NON-STEER
LIFT AXLES

OPTIONAL
EQUIPMENT

SERVICE
PARTS

DURALIFT II 13.2K SELF-STEER

Link Part Number: 8A000715 - Non-Current

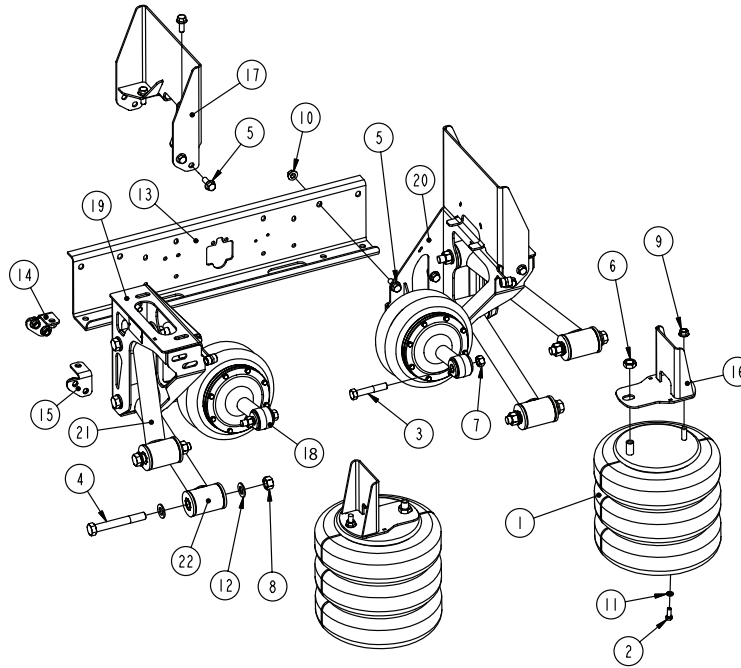
SPEC'ING

SELF-STEER
LIFTAXLES

NON-STEER
LIFTAXLES

OPTIONAL
EQUIPMENT

SERVICE
PARTS



ITEM PART NO PART DESCRIPTION

ITEM	PART NO	PART DESCRIPTION	QTY
1	11030056	SPRING-AIR	2
2	140B-1208	3/8 X 1 UNC HEX CAP SCR (GR 8) O&P	4
3	140D-2028	5/8 X 3 1/2 UNF HEX CAP SCR (GR 8) O&P	4
4	140D-2446	3/4 X 5 3/4 UNF HEX CAP SCR (GR 8) O&P	8
5	141A-1610	1/2 X 1 1/4 UNC FLANGE BOLT (GR 8) O&P	20
6	1475-2402	3/4 UNF HEX JAM NUT, O&P	2
7	1477-2006	5/8 UNF HEX TOP LOCK NUT (GR C) O&P	4
8	1477-2406	3/4 UNF HEX TOP LOCK NUT (GR C) O&P	8
9	1480-1600	1/2 UNC SERRATED FLANGE NUT	2
10	1480-1604	1/2 UNC TOP LOCK FL NUT (GR G) O&P	10
11	1485-1200	3/8 LOCK WASHER	4
12	1488-2402	3/4 SAE HARDENED WASHER	16
13	80002109	CROSSMEMBER-DURALIFT2	1
14	800A0120	BRACKET-MOUNT, FASTENER.....	2
15	800A0121	BRACKET-MOUNT, FASTENER.....	2
16	SEE NOTE 1	BRACKET-MOUNT, AIRSPRING.....	2
17	SEE NOTE 1	BRACKET-MOUNT, FRAME.....	2
18	800A0309	ACTUATOR-SPRING, LIFT.....	2
19	810A0096	BRACKET-HANGER, SUSPENSION.....	1
20	810A0097	BRACKET-HANGER, SUSPENSION.....	1
21	820A0033	ARM-CONNECTING	2
22	820A0084	ARM-CONNECTING	2

IMPORTANT NOTES:
NOTES:
1. MULTIPLE OPTIONS
EXIST—CALL FOR
DETAILS.

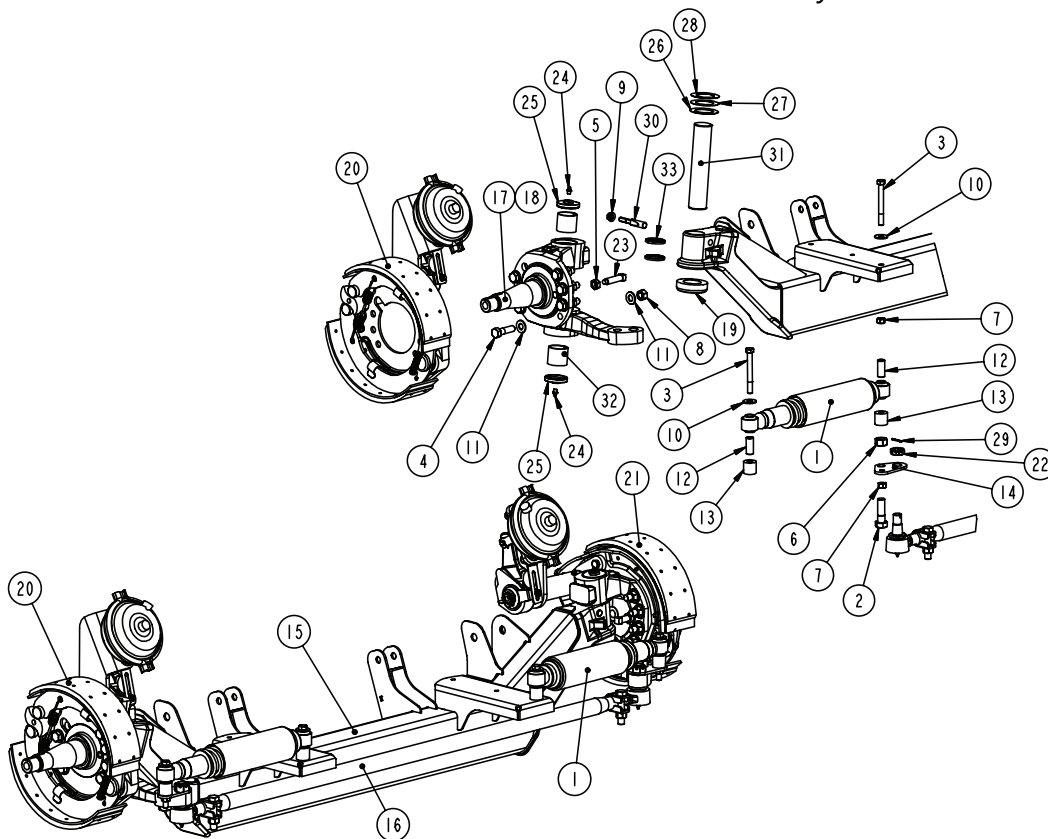
**REPLACEMENT
KIT PART
NUMBERS:**

ARM BUSHING KIT:
800A0133

DURALIFT 13.2K SELF-STEER

Link Part Number: 830A0306 - Non-Current

Axle Assembly for 8A000715 Suspension



**REPLACEMENT
KIT PART
NUMBERS:**

KING PIN KIT:
84001934

SHOCK KIT:
12100015

ITEM	PART NO	PART DESCRIPTION	QTY
1	12100012	SHOCK ABSORBER, WIDE BODY	2
2	140B2420	3/4 X 2 1/2 UNC HEX CAP SCR (GR 8) O&P	2
3	140D1636	1/2 X 4 1/2 UNF HEX CAP SCR (GR 8) O&P	4
4	140D2018	5/8 X 2 1/4 UNF HEX CAP SCR (GR 8) O&P	14
5	14752000	5/8 UNF HEX JAM NUT	2
6	14762406	3/4 UNC HEX TOP LOCK NUT (GR C) O&P	2
7	14771606	1/2 UNF HEX TOP LOCK NUT (GR C) O&P	4
8	14772006	5/8 UNF HEX TOP LOCK NUT (GR C) O&P	14
9	14801404	7/16 UNC TOP LOCK FL NUT (GR G) O&P	2
10	14871600	1/2 TYPE A PLAIN WASHER	4
11	14882003	5/8 SAE PLAIN WASHER, OIL&PHOS	28
12	80000009	BUSHING-SHOCK, ACETAL	4
13	80001919	SPACER-MOUNT, SHOCK	4
14	83000078	TAB-MOUNT, SHOCK	2
15	830A0305	AXLE-FAB., 13K DURALIFT 2	1
16	84001038	ASSEMBLY-ROD, TIE	1
17	84001243	INTEGRAL KNUCKLE	1
18	84001244	INTEGRAL KNUCKLE	1
19	84001435	BEARING-THRUST	2
20	84001607	ASSEMBLY-BRAKE, 15X 4L	1
21	84001608	ASSEMBLY-BRAKE, 15X 4R	1
22	84001696	NUT-HEX, SLOTTED, .88	2
23	84001731	BOLT-STOP, STEERING	2
24	84001901	FITTING-GREASE	4
25	84001902	CAP-KNUCKLE	4
26	84001903	SHIM (.030)	2
27	84001904	SHIM (.010)	2
28	84001905	SHIM (.005)	2
29	84001912	PIN, COTTER	2
30	84001928	PIN-DRAW, LOCKING	2
31	84002020	PIN-KING, DANA	2
32	84002021	BUSHING-KNUCKLE	4
33	84002022	SEAL-KNUCKLE	4

SPEC'ING

SELF-STEER
LIFTAXLES

NON-STEER
LIFTAXLES

OPTIONAL
EQUIPMENT

SERVICE
PARTS

SS-135 13.5K SELF-STEER

Link Part Number: 8A000723 - Current

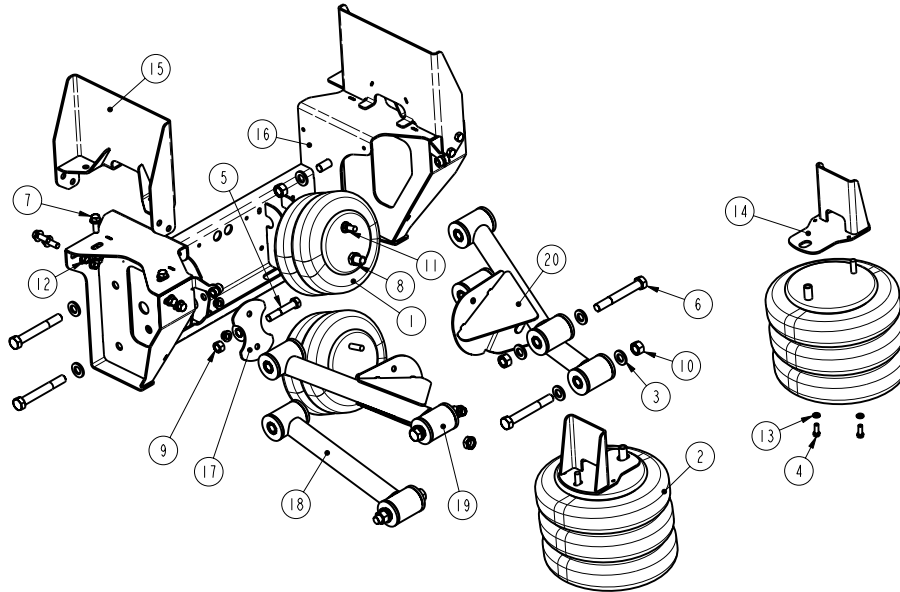
SPEC'ING

SELF-STEER
LIFTAXLES

NON-STEER
LIFTAXLES

OPTIONAL
EQUIPMENT

SERVICE
PARTS



ITEM	PART NO	PART DESCRIPTION	QTY
1	11030019	SPRING-AIR	2
2	11030056	SPRING-AIR	2
3	14882402	3/4 HARDENED WASHER, ZINC PLATED	16
4	140B1208	3/8 X 1 UNC HEX CAP SCR (GR 8) O&P	4
5	140D2028	5/8 X 3 1/2 UNF HEX CAP SCR (GR 8) O&P	2
6	140D2446	3/4 X 5 3/4 UNF HEX CAP SCR (GR 8) O&P	8
7	141A1610	1/2 X 1 1/4 UNC FLANGE BOLT (GR 8) O&P	12
8	14752402	3/4 UNF HEX JAM NUT, O&P	4
9	14772006	5/8 UNF HEX TOP LOCK NUT (GR C) O&P	2
10	14772406	3/4 UNF HEX TOP LOCK NUT (GR C) O&P	8
11	14801600	1/2 UNC SERRATED FLANGE NUT	8
12	14801604	1/2 UNC TOP LOCK FL NUT (GR G) O&P	12
13	14851200	3/8 LOCK WASHER	4
14	SEE NOTE 1	BRACKET-MOUNT, AIRSPRING	2
15	SEE NOTE 1	BRACKET-MOUNT, FRAME	2
16	810A0099	HANGER-WELDMENT	1
17	810A0100	ASSEMBLY-SWIVEL PLATE	2
18	820A0084	ARM-CONNECTING	2
19	820A0100	ARM-CONNECTING, LH	1
20	820A0101	ARM-CONNECTING, RH	1
21	830A0312	ASSEMBLY-AXLE, 13.5K	1
22	840A0140	KIT-WHEEL END, HUB	1

IMPORTANT NOTES:
NOTES:
1. MULTIPLE OPTIONS
EXIST—CALL FOR
DETAILS.

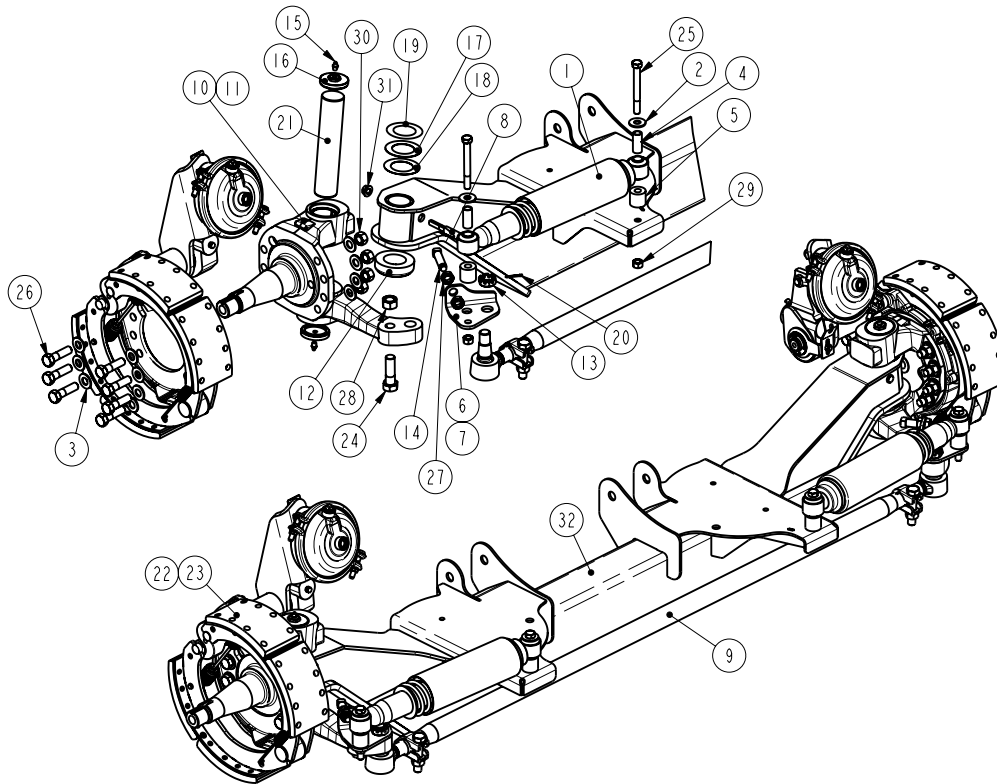
**REPLACEMENT
KIT PART
NUMBERS:**

ARM BUSHING KIT:
800A0133

SS-135 13.5K SELF-STEER

Link Part Number: 830A0312 - Current

Axle Assembly for 8A000723 Suspension



**REPLACEMENT
KIT PART
NUMBERS:**

KING PIN KIT:
84001998

SHOCK KIT:
12100015

ITEM	PART NO	PART DESCRIPTION	QTY
1	12100012	SHOCK ABSORBER, WIDE BODY	2
2	14871600	1/2 TYPE A PLAIN WASHER.....	4
3	14882000	5/8 SAE PLAIN WASHER.....	28
4	80000009	BUSHING-SHOCK, ACETAL.....	4
5	80001919	SPACER-MOUNT, SHOCK.....	4
6	83000236	PLATE-SHOCK MOUNT, LH	1
7	83000239	PLATE-SHOCK MOUNT, RH.....	1
8	83000241	PIN-DRAW, LOCKING.....	2
9	84001038	ASSEMBLY-ROD, TIE.....	1
10	84001243	INTEGRAL KNUCKLE (LEFT).....	1
11	84001244	INTEGRAL KNUCKLE (RIGHT).....	1
12	84001435	BEARING-THRUST	2
13	84001696	NUT-HEX, SLOTTED, .88	2
14	84001731	BOLT-STOP, STEERING	2
15	84001901	FITTING-GREASE.....	4
16	84001902	CAP-KNUCKLE	4
17	84001903	SHIM (.030).....	2
18	84001904	SHIM (.010).....	2
19	84001905	SHIM (.005).....	2
20	84001912	PIN, COTTER.....	2
21	84002020	PIN-KING, 13K (1.88)	2
22	84002034	ASSEMBLY-BRAKE, 13.5K RH	1
23	84002035	ASSEMBLY-BRAKE, 13.5K LH.....	1
24	140B2420	3/4 X 2 1/2 UNC HEX CAP SCR (GR 8) O&P.....	2
25	140D1636	1/2 X 4 1/2 UNF HEX CAP SCR (GR 8) O&P	4
26	140D2018	5/8 X 2 1/4 UNF HEX CAP SCR (GR 8) O&P	14
27	14752000	5/8 UNF HEX JAM NUT	4
28	14762406	3/4 UNC HEX TOP LOCK NUT (GR C) O&P.....	2
29	14771606	1/2 UNF HEX TOP LOCK NUT (GR C) O&P	4
30	14772006	5/8 UNF HEX TOP LOCK NUT (GR C) O&P	14
31	14801404	7/16 UNC TOP LOCK FL NUT (GR G) O&P.....	2
32	830A0311	AXLE-FABRICATED, 13.5K	1

SPEC'ING

SELF-STEER
LIFTAXLES

NON-STEER
LIFTAXLES

OPTIONAL
EQUIPMENT

SERVICE
PARTS

DURALIFT II 20K SELF STEER

Link Part Number: 8A000680 - Non-Current

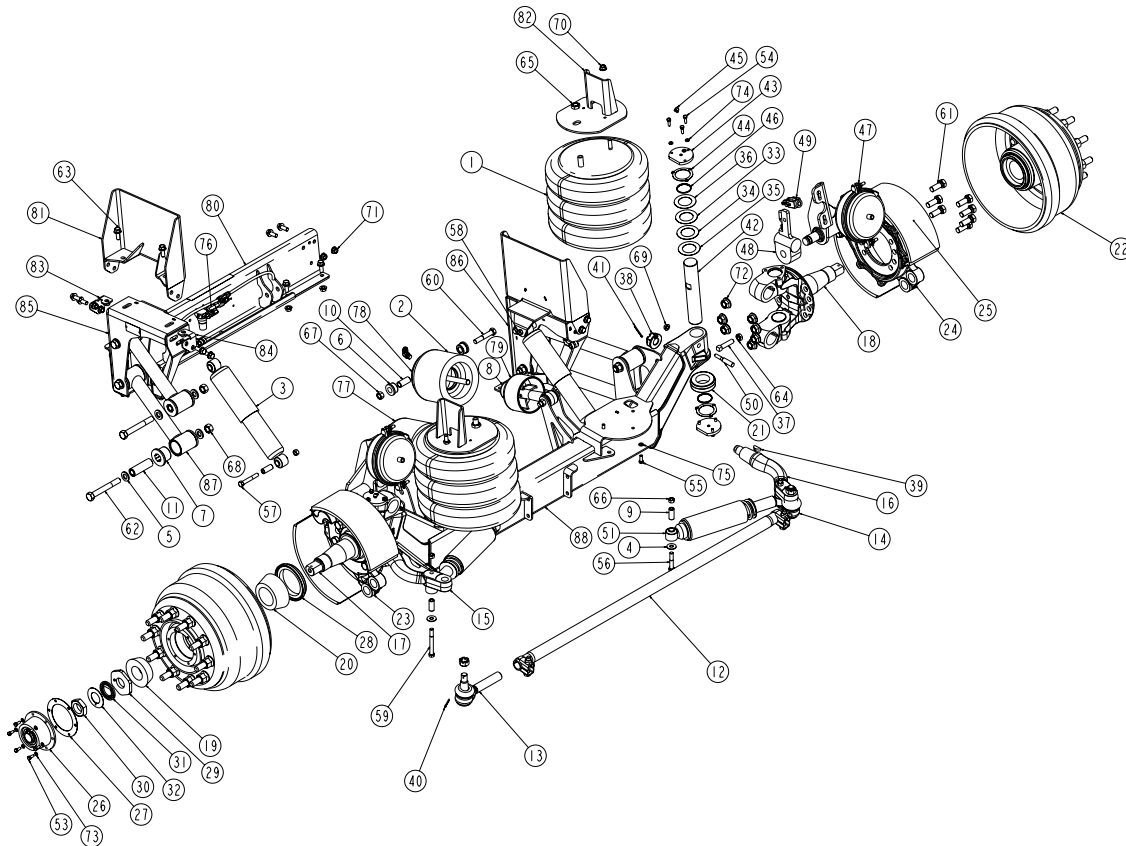
SPEC'ING

SELF-STEER
LIFT AXLES

NON-STEER
LIFT AXLES

OPTIONAL
EQUIPMENT

SERVICE
PARTS



ITEM	PART NO	PART DESCRIPTION	QTY	ITEM	PART NO	PART DESCRIPTION	QTY
1	11030001	SPRING-AIR	2	45	84001764	FITTING-GREASE	4
2	11030060	SLEEVE-AIR	2	46	84001765	SEAL-KNUCKLE	4
3	12100011	SHOCK ABSORBER	2	47	84001767	CHAMBER-BRAKE	2
4	14871600	1/2 TYPE A PLAIN WASHER	4	48	84001777	SLACK ADJUSTER - AUTO	2
5	14882402	3/4 HARDENED WASHER, ZINC PLATED	16	49	84001779	ASSEMBLY-CLEVIS, GUNITE	2
6	15000846	BUSHING	8	50	84001928	PIN-DRAW, LOCKING	2
7	15000890	BUSHING	16	51	12100010	SHOCK ABSORBER-COIL SPRING, STEERING	2
8	15000891	STOP-BUMPER, CYL	2	52	13034000	AIRLINE-NYLON, .375 OD	28 IN
9	80000009	BUSHING-SHOCK, ACETAL	8	53	14011006	5/16 X 3/4 UNC HEX CAP SCR (GR 5)	12
10	80000835	TUBE-BUSHING	2	54	140B1008	5/16 X 1 UNC HEX CAP SCR (GR 8) O&P	12
11	80001210	TUBE-BUSHING	8	55	140B1208	3/8 X 1 UNC HEX CAP SCR (GR 8) O&P	4
12	84001041	ASSEMBLY-TUBE, TIE ROD	1	56	140D1622	1/2 X 2 3/4 UNF HEX CAP SCR (GR 8) O&P	2
13	84001042	ASSEMBLY-END, TIE ROD (LH)	1	57	140D1626	1/2 X 3 1/4 UNF HEX CAP SCR (GR 8) O&P	2
14	84001043	ASSEMBLY-END, TIE ROD (RH)	1	58	140D1630	1/2 X 3 3/4 UNF HEX CAP SCR (GR 8) O&P	2
15	84001123	ARM-TIE ROD	1	59	140D1636	1/2 X 4 1/2 UNF HEX CAP SCR (GR 8) O&P	2
16	84001124	ARM-TIE ROD	1	60	140D2028	5/8 X 3 1/2 UNF HEX CAP SCR (GR 8) O&P	4
17	84001247	ASSEMBLY-KNUCKLE, MERITOR 20K (LEFT)	1	61	140D2416	3/4 X 2 UNF HEX CAP SCR (GR 8) O&P	14
18	84001248	ASSEMBLY-KNUCKLE, MERITOR 20K (RIGHT)	1	62	140D2446	3/4 X 5 3/4 UNF HEX CAP SCR (GR 8) O&P	8
19	84001416	BEARING-ROLLER, CONE	2	63	141A1610	1/2 X 1 1/4 UNC FLANGE BOLT (GR 8) O&P	20
20	84001417	BEARING-ROLLER, CONE	2	64	14752000	5/8 UNF HEX JAM NUT	2
21	84001436	BEARING-THRUST	2	65	14752402	3/4 UNF HEX JAM NUT, O&P	2
22	84001540	ASSEMBLY-HUB & DRUM, FN MNT	2	66	14771606	1/2 UNF HEX TOP LOCK NUT (GR C) O&P	8
23	84001616	BRAKE ASSY-20K (LH)	1	67	14772006	5/8 UNF HEX TOP LOCK NUT (GR C) O&P	4
24	84001617	BRAKE ASSY-20K (RH)	1	68	14772406	3/4 UNF HEX TOP LOCK NUT (GR C) O&P	8
25	84001655	PAD-BRAKE, 20K	4	69	14801404	7/16 UNC TOP LOCK FL NUT (GR G) O&P	2
26	84001671	CAP, HUB	2	70	14801600	1/2 UNC SERRATED FLANGE NUT	2
27	84001673	GASKET	2	71	14801604	1/2 UNC TOP LOCK FL NUT (GR G) O&P	8
28	84001743	SEAL-OIL	2	72	14802405	3/4 UNF TOP LOCK FL NUT (GR G) O&P	14
29	84001745	NUT-SPINDLE, INNER	2	73	14851000	5/16 LOCK WASHER	12
30	84001746	NUT-SPINDLE, OUTER	2	74	14851004	5/16 LOCK WASHER OIL&PHOS	12
31	84001747	RING-LOCK	2	75	14851200	3/8 LOCK WASHER	4
32	84001748	WASHER-RETAINER	2	76	800A0119	CONTROL-AIR, LIFT SPRING	1
33	84001749	SHIM (.030)	2	77	800A0130	ACTUATOR-SPRING, LIFT	2
34	84001750	SHIM (.015)	2	78	800A0131	CAP-CYL., AIR	2
35	84001751	SHIM (.010)	2	79	800A0132	PISTON-CYL., AIR	2
36	84001752	SHIM (.005)	2	80	800A0242	WELDMENT-CROSSMEMBER	1
37	84001753	BOLT-STOP, STEERING	2	81	SEE NOTE	BRACKET-MOUNT, FRAME	2
38	84001754	NUT-HEX, SLOTTED	2	82	SEE NOTE	BRACKET-MOUNT, AIRSPRING	2
39	84001756	KEY-ARM, KNUCKLE	2	83	800A0250	BRACKET-MOUNT, FASTENER	2
40	84001757	PIN-COTTER, .13	2	84	800A0251	BRACKET-MOUNT, FASTENER	2
41	84001758	PIN-COTTER, .15 X 3.00	2	85	810A0058	BRACKET-HANGER, SUSPENSION	1
42	84001760	PIN-KING	2	86	810A0059	BRACKET-HANGER, SUSPENSION	1
43	84001762	CAP-KNUCKLE	4	87	820A0034	ARM-CONNECTING	4
44	84001763	GASKET-CAP, KING PIN	4	88	830A0028	AXLE-FAB., 20K DURALIFT II	1

REPLACEMENT KIT PART NUMBERS:

ARM BUSHING KIT:
800A0133

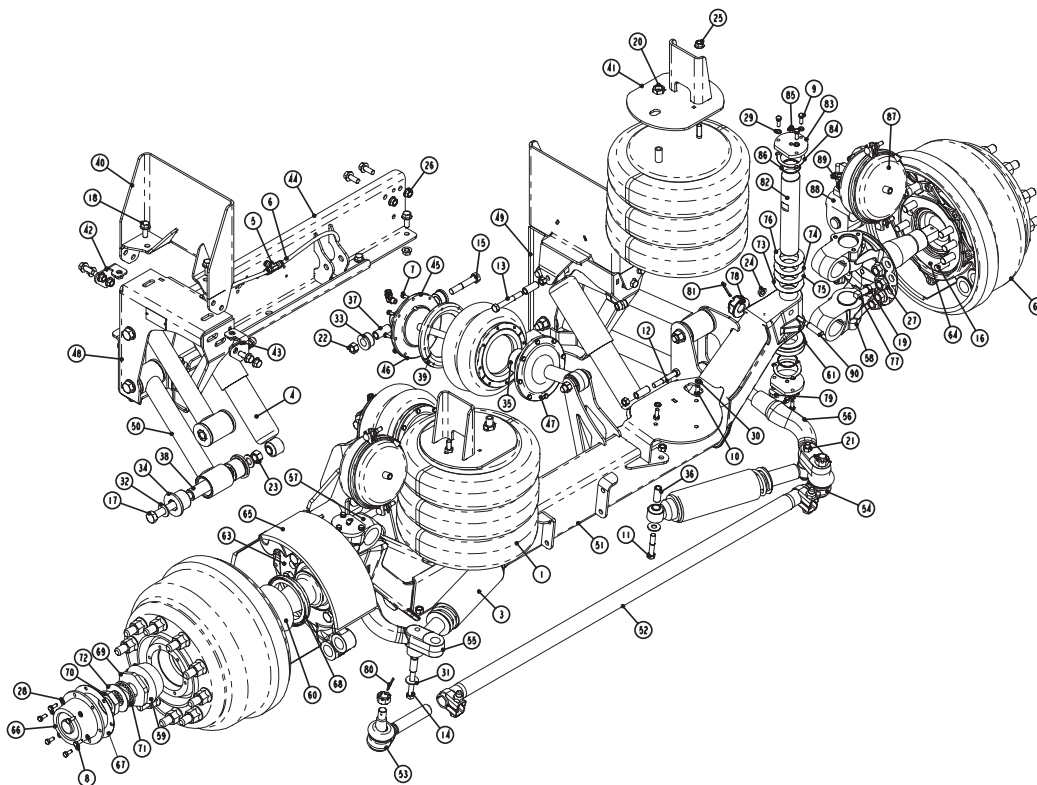
KING PIN KIT:
84001768

IMPORTANT NOTES:

MULTIPLE OPTIONS
EXIST,
CALL FOR DETAILS.

DURALIFT II 20K SELF-STEER

Link Part Number: 8A0000684 - Non-Current



SPEC'ING

SELF-STEER
LIFT AXLES

NON-STEER
LIFT AXLES

OPTIONAL
EQUIPMENT

SERVICE
PARTS

REPLACEMENT KIT PART NUMBERS:

ARM BUSHING KIT:
800A0133

KING PIN KIT:
84001768

IMPORTANT NOTES:

MULTIPLE OPTIONS
EXIST,
CALL FOR DETAILS.

ITEM	PART NO	PART DESCRIPTION	QTY	ITEM	PART NO	PART DESCRIPTION	QTY
1	11030001	SPRING-AIR	2	47	800A0260	PISTON-CYL., AIR	2
2	11030062	SPRING-AIR	2	48	810A0058	BRACKET-HANGER, SUSPENSION	2
3	12100010	SHOCK ABSORBER-COIL SPRING, STEERING	2	49	810A0059	BRACKET-HANGER, SUSPENSION	1
4	12100011	SHOCK ABSORBER	2	50	820A0034	ARM-CONNECTING	4
5	13025061	TEE-UNION, 3/8 TUBE	1	51	830A0030	AXLE-FAB., 20K DURALIFT II	1
6	13034000	AIRLINE-NYLON, .375 OD	28 IN	52	84001041	ASSEMBLY-TUBE, TIE ROD	1
7	14010806	1/4 X 3/4 UNC HEX CAP SCR (GR 5)	32	53	84001042	ASSEMBLY-END, TIE ROD (LH)	1
8	14011006	5/16 X 3/4 UNC HEX CAP SCR (GR 5)	12	54	84001043	ASSEMBLY-END, TIE ROD (RH)	1
9	140B1008	5/16 X 1 UNC HEX CAP SCR (GR 8) O&P	12	55	84001123	ARM-TIE ROD	1
10	140B1208	3/8 X 1 UNC HEX CAP SCR (GR 8) O&P	4	56	84001124	ARM-TIE ROD	1
11	140D1622	1/2 X 2 3/4 UNF HEX CAP SCR (GR 8) O&P	2	57	84001247	ASSEMBLY-KNUCKLE, MERITOR 20K (LEFT)	1
12	140D1626	1/2 X 3 1/4 UNF HEX CAP SCR (GR 8) O&P	2	58	84001248	ASSEMBLY-KNUCKLE, MERITOR 20K (RIGHT)	1
13	140D1630	1/2 X 3 3/4 UNF HEX CAP SCR (GR 8) O&P	2	59	84001416	BEARING-ROLLER, CONE	2
14	140D1636	1/2 X 4 1/2 UNF HEX CAP SCR (GR 8) O&P	2	60	84001417	BEARING-ROLLER, CONE	2
15	140D2028	5/8 X 3 1/2 UNF HEX CAP SCR (GR 8) O&P	4	61	84001436	BEARING-THRUST	2
16	140D2416	3/4 X 2 UNF HEX CAP SCR (GR 8) O&P	14	62	84001540	ASSEMBLY-HUB & DRUM, FN MNT	2
17	140D2446	3/4 X 5 3/4 UNF HEX CAP SCR (GR 8) O&P	8	63	84001616	BRAKE ASSY-20K (LH)	1
18	141A1610	1/2 X 1 1/4 UNC FLANGE BOLT (GR 8) O&P	20	64	84001617	BRAKE ASSY-20K (RH)	1
19	14752000	5/8 UNF HEX JAM NUT	2	65	84001655	PAD-BRAKE, 20K	4
20	14752402	3/4 UNF HEX JAM NUT, O&P	2	66	84001671	CAP-HUB	2
21	14771606	1/2 UNF HEX TOP LOCK NUT (GR C) O&P	8	67	84001673	GASKET	2
22	14772006	5/8 UNF HEX TOP LOCK NUT (GR C) O&P	4	68	84001743	SEAL-OIL	2
23	14772406	3/4 UNF HEX TOP LOCK NUT (GR C) O&P	8	69	84001745	NUT-SPINDLE, INNER	2
24	14801404	7/16 UNC TOP LOCK FL NUT (GR G) O&P	2	70	84001746	NUT-SPINDLE, OUTER	2
25	14801600	1/2 UNC SERRATED FLANGE NUT	2	71	84001747	RING-LOCK	2
26	14801604	1/2 UNC TOP LOCK FL NUT (GR G) O&P	8	72	84001748	WASHER-RETAINER	2
27	14802405	3/4 UNF TOP LOCK FL NUT (GR G) O&P	14	73	84001749	SHIM (.030)	2
28	14851000	5/16 LOCK WASHER	12	74	84001750	SHIM (.015)	2
29	14851004	5/16 LOCK WASHER OIL&PHOS	12	75	84001751	SHIM (.010)	2
30	14851200	3/8 LOCK WASHER	4	76	84001752	SHIM (.005)	2
31	14871600	1/2 TYPE A PLAIN WASHER	4	77	84001753	BOLT-STOP, STEERING	2
32	14882402	3/4 SAE HARDENED WASHER	16	78	84001754	NUT-HEX, SLOTTED	2
33	15000846	BUSHING	8	79	84001756	KEY-ARM, KNUCKLE	2
34	15000890	BUSHING	16	80	84001757	PIN-COTTER, .13	2
35	15000891	STOP-BUMPER, CYL.	2	81	84001758	PIN-COTTER, .15 X 3.00	2
36	80000009	BUSHING-SHOCK, ACETAL	8	82	84001760	PIN-KING	2
37	80000835	TUBE-BUSHING	4	83	84001762	CAP-KNUCKLE	4
38	80001210	TUBE-BUSHING	8	84	84001763	GASKET-CAP, KING PIN	4
39	80001324	RING-RETAINER, AIRSPRING	8	85	84001764	FITTING-GREASE	4
40	SEE NOTE	BRACKET-MOUNT, FRAME	2	86	84001765	SEAL-KNUCKLE	4
41	SEE NOTE	BRACKET-MOUNT, AIR SPRING	2	87	84001767	CHAMBER-BRAKE	2
42	800A0250	BRACKET-MOUNT, FASTENER	2	88	84001777	SLACK ADJUSTER-AUTO	2
43	800A0251	BRACKET-MOUNT, FASTENER	2	89	84001779	ASSEMBLY-CLEVIS, GUNITE	2
44	800A0257	WELDMENT-CROSSMEMBER	1	90	84001928	PIN-DRAW, LOCKING	2
45	800A0309	ACTUATOR-SPRING, LIFT	2				
46	800A0259	CAP-CYL., AIR	2				

DURALIFT II 20K SELF-STEER

Link Part Number: 8A000728 - Current

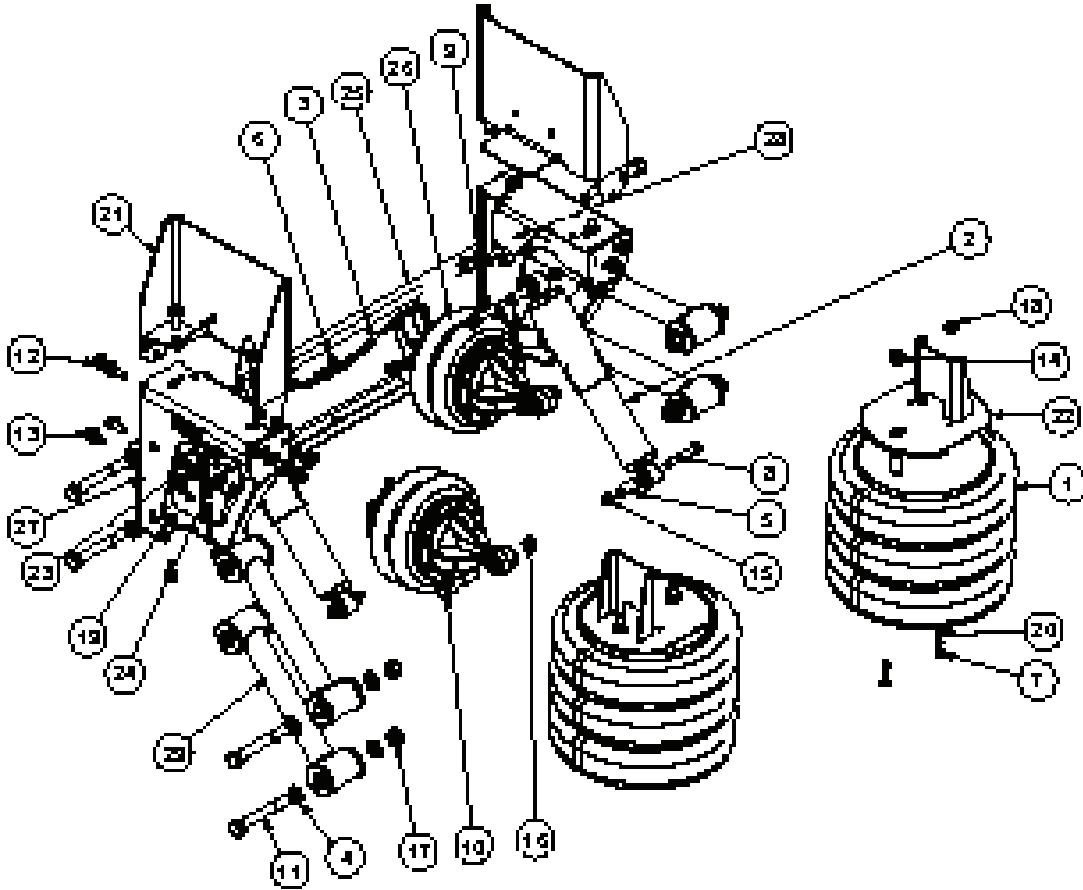
SPEC'ING

SELF-STEER
LIFT AXLES

NON-STEER
LIFT AXLES

OPTIONAL
EQUIPMENT

SERVICE
PARTS



1	11030001	SPRING-AIR.....	2
2	12100011	ENTER DESCRIPTION HERE.....	2
3	13034000	AIRLINE-NYLON, 3/8" BULK (FEET).....	1.9
4	14882402	3/4 HARDENED WASHER, ZINC PLATED.....	16
5	80000009	BUSHING-SHOCK, ACETAL.....	4
6	1302-5061	TEE-UNION, 3/8 TUBE.....	1
7	140B-1208	3/8 X 1 UNC HEX CAP SCR (GR 8) O&P.....	4
8	140D-1626	1/2 X 3 1/4 UNF HEX CAP SCR (GR 8) O&P.....	2
9	140D-1630	1/2 X 3 3/4 UNF HEX CAP SCR (GR 8) O&P.....	2
10	140D-2028	5/8 X 3 1/2 UNF HEX CAP SCR (GR 8) O&P.....	4
11	140D-2446	3/4 X 5 3/4 UNF HEX CAP SCR (GR 8) O&P.....	8
12	141A1612	1/2 X 1 1/2 UNC FLANGE BOLT (GR 8) O&P.....	12
13	141A-1610	1/2 X 1 1/4 UNC FLANGE BOLT (GR 8) O&P.....	8
14	1475-2402	3/4 UNF HEX JAM NUT, O&P.....	2
15	1477-1606	1/2 UNF HEX TOP LOCK NUT (GR C) O&P.....	4
16	1477-2006	5/8 UNF HEX TOP LOCK NUT (GR C) O&P.....	4
17	1477-2406	3/4 UNF HEX TOP LOCK NUT (GR C) O&P.....	8
18	1480-1600	1/2 UNC SERRATED FLANGE NUT.....	2
19	1480-1604	1/2 UNC TOP LOCK FL NUT (GR G) O&P.....	8
20	1485-1200	3/8 LOCK WASHER.....	4
21	SEE NOTE 1	BRACKET-MOUNT, FRAME.....	2
22	SEE NOTE 1	BRACKET-MOUNT, AIRSPRING.....	2
23	800A0250	BRACKET-MOUNT, FASTENER.....	2
24	800A0251	BRACKET-MOUNT, FASTENER.....	2
25	800A0257	WELDMENT-CROSSMEMBER.....	1
26	800A0309	ACTUATOR-SPRING, LIFT.....	2
27	810A0058	BRACKET-HANGER, SUSPENSION.....	1
28	810A0059	BRACKET-HANGER, SUSPENSION.....	1
29	820A0034	ARM-CONNECTING.....	4

IMPORTANT NOTES:

NOTES:

1. MULTIPLE OPTIONS EXIST—CALL FOR DETAILS.

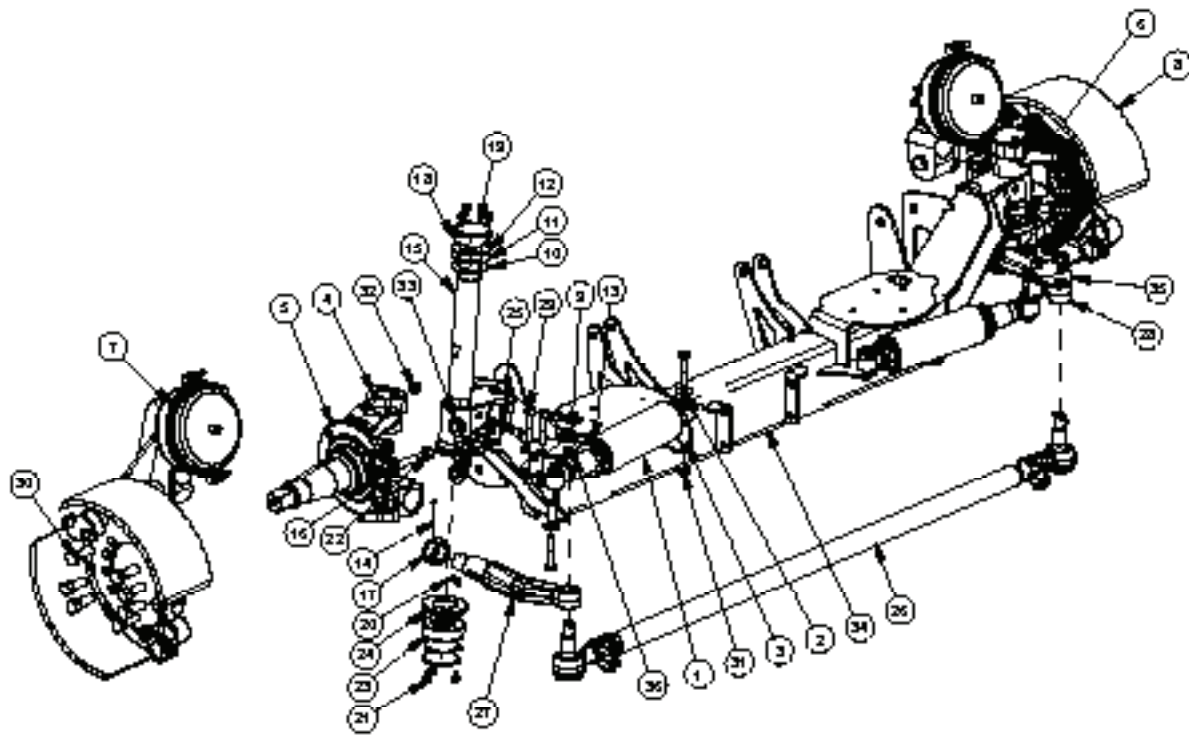
REPLACEMENT KIT PART NUMBERS:

ARM BUSHING KIT:
800A0133

DURALIFT II 20K SELF-STEER

Link Part Number: 830A0043 - Current

Axle Assembly for 8A000728 Suspension



REPLACEMENT KIT PART NUMBERS:

KING PIN KIT:
84001790

2	14871600	1/2 TYPE A PLAIN WASHER.....	4
3	80000009	BUSHING-SHOCK, ACETAL.....	4
4	84001252	KIT-KNUCKLE, 20K.....	1
5	84001255	KNUCKLE ASSEMBLY-20K, LH.....	1
6	84001256	KNUCKLE ASSEMBLY-20K, RH.....	1
7	84001616	BRAKE ASSY-20K (LH).....	1
8	84001617	BRAKE ASSY-20K (RH).....	1
9	84001791	NUT-HEX, SLOTTED, .88.....	2
10	84001749	SHIM (.030).....	2
11	84001750	SHIM (.015).....	2
12	84001752	SHIM (.005).....	2
13	84001757	PIN-COTTER, .13.....	2
14	84001758	PIN-COTTER, .15 X 3.00.....	2
15	84001760	PIN-KING.....	2
16	84001781	BOLT-STEERING STOP, 20K.....	2
17	84001782	NUT-STEERING ARM.....	2
18	84001783	GASKET-KING PIN CAP, 20K.....	4
19	84001784	CAP-KING PIN, 20K.....	4
20	84001785	KEY-WOODRUFF, STEERING ARM.....	2
21	84001786	BOLT-KING PIN CAP, 20K.....	12
22	84001787	NUT-STEERING STOP, 20K.....	2
23	84001788	THRUST BEARING-KNUCKLE, 20K.....	2
24	84001789	RETAINER-THRUST BEARING, 20K.....	2
25	84001928	PIN-DRAW, LOCKING.....	2
26	84002064	TIE-ROD ASSEMBLY, 20K.....	1
27	84002065	ARM-STEERING, LH 20K.....	1
28	84002066	ARM-STEERING, RH 20K.....	1
29	140D-1622	1/2 X 2 3/4 UNF HEX CAP SCR (GR 8) O&P.....	8
30	140D-2416	3/4 X 2 UNF HEX CAP SCR (GR 8) O&P.....	14
31	1477-1606	1/2 UNF HEX TOP LOCK NUT (GR C) O&P.....	8
32	1480-1404	7/16 UNC TOP LOCK FL NUT (GR G) O&P.....	2
33	1480-2405	3/4 UNF TOP LOCK FL NUT (GR G) O&P.....	14
34	830A0040	AXLE WELDMENT, 20K DURALIFT II.....	1
35	830A0041	BRACKET-SHOCK MOUNT, RH.....	1
36	830A0042	BRACKET-SHOCK MOUNT, LH.....	1

SPEC'ING

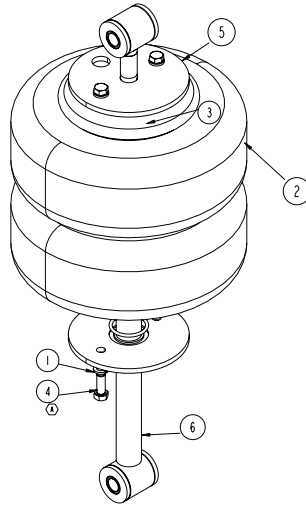
SELF-STEER
LIFTAXLES

NON-STEER
LIFTAXLES

OPTIONAL
EQUIPMENT

SERVICE
PARTS

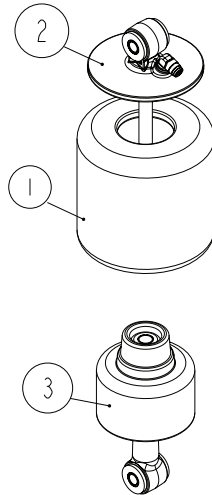
LINK PART NUMBER: 800A0087



USED ON DURALIFT 8A000467

ITEM	PART NO	PART DESCRIPTION	QTY
1	14851200	3/8 LOCK WASHER	4
2	11030059	SPRING-AIR	1
3	15001604	O-RING, 1.484 I.D. X .139 SECTION	2
4	140B1208	3/8 X 1 UNC HEX CAP SCR (GR 8) O&P..	4
5	800A0088	BRACKET-MOUNT, AIR SPRING	1
6	800A0089	BRACKET-MOUNT, AIR SPRING	1

LINK PART NUMBER: 800A0130



USED ON 8A000490, 8A000499 & 8A000680

ITEM	PART NO	PART DESCRIPTION	QTY
1	11030060	SLEEVE-AIR	1
2	800A0131	CAP-CYL., AIR	1
3	800A0132	PISTON-CYL.,AIR	1

SPEC'ING

SELF-STEER
LIFTAXLES

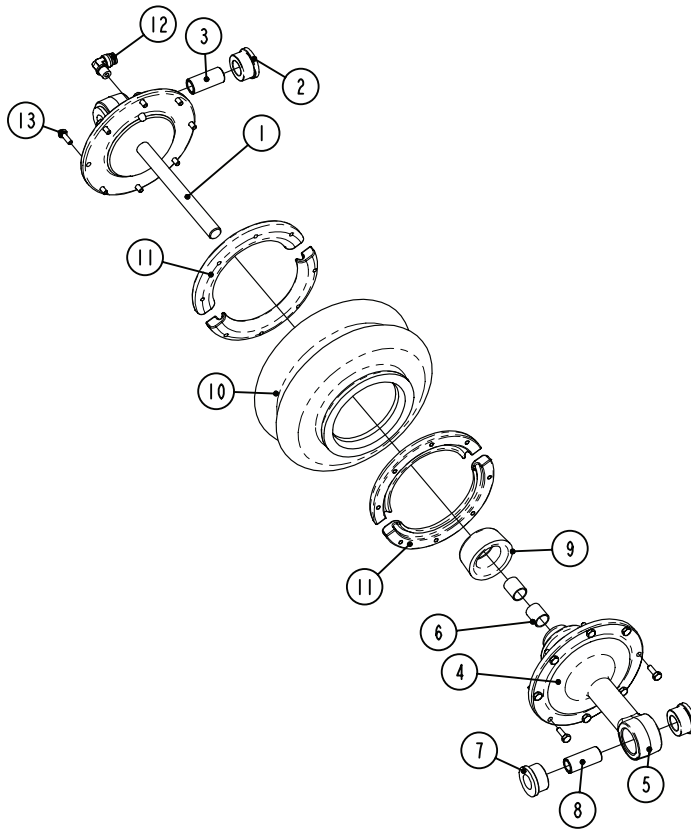
NON-STEER
LIFTAXLES

OPTIONAL
EQUIPMENT

SERVICE
PARTS

LIFT AIR ACTUATORS

Link Part Number: 800A0258



NON-CURRENT (REPLACED BY 800A0309)
USED ON DURALIFT II 8A000711, 8A000712, 8A000715, 8A000716, 8A000684 & 8A000728

AVAILABLE PARTS LISTED BELOW -- IF NOT AVAILABLE THEN THE WHOLE ACTUATOR WILL NEED TO BE REPLACED WITH THE 800A0309 ACTUATOR. IT IS RECOMMENDED TO REPLACE BOTH ACTUATORS AND NOT MIX THE TWO VERSIONS.

ITEM	PART NO	PART DESCRIPTION	QTY
1	800A0259	CAP-CYL., AIR	NOT AVAILABLE
2	15000846	BUSHING	2
3	80000835	TUBE-BUSHING	1
4	800A0260	PISTON-CYL., AIR	NOT AVAILABLE
5	80001326	PISTON-CYL., AIR	NOT AVAILABLE
6	15000095	BEARING-LINEAR	2
7	15000846	BUSHING	2
8	80000835	TUBE-BUSHING	1
9	15000891	STOP-BUMPER, CYL.	1
10	11030062	SPRING-AIR	1
11	80001328	RING-RETAINER, AIRSPRING	4
12	13025104	ELBOW-3/8 TB, 1/4 M-NPT	1
13	14010806	1/4 X 3/4 UNC HEX CAP SCR (GR 5)	16

SPEC'ING

SELF-STEER
LIFTAXLES

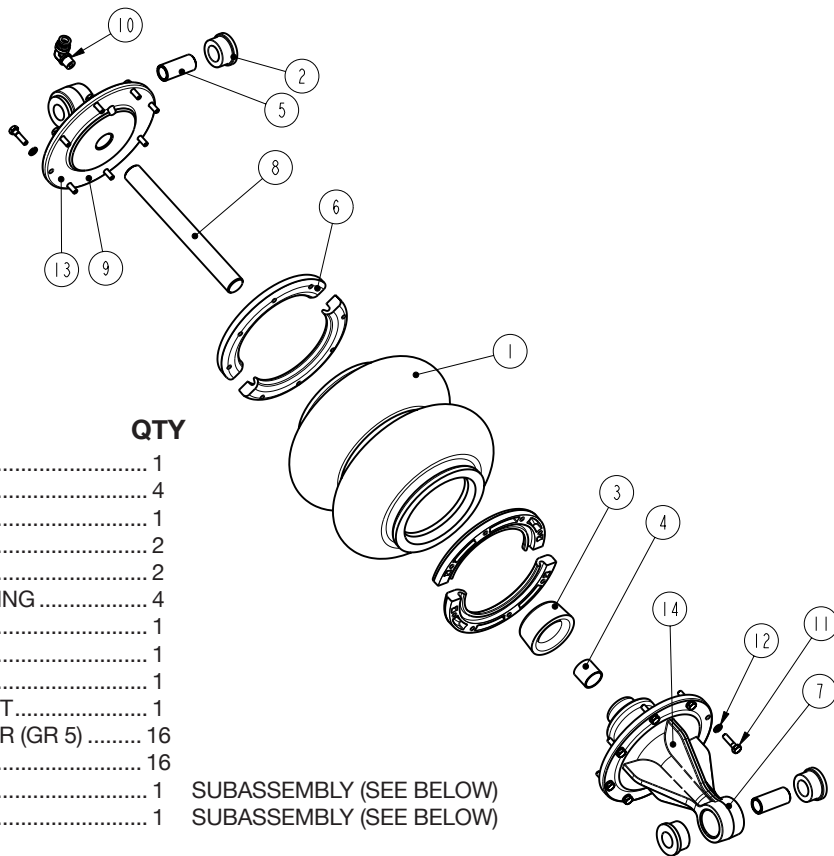
NON-STEER
LIFTAXLES

OPTIONAL
EQUIPMENT

SERVICE
PARTS

LIFT AIR ACTUATORS

Link Part Number: 800A0309



ITEM	PART NO	PART DESCRIPTION	QTY
1	11030062	SPRING-AIR	1
2	15000846	BUSHING.....	4
3	15000891	STOP-BUMPER, CYL.	1
4	15000932	BEARING-LINEAR.....	2
5	80000835	TUBE-BUSHING.....	2
6	80001328	RING-RETAINER, AIRSPRING	4
7	80002243	PISTON-CYL., AIR.....	1
8	80002244	ROD-SUPPORT.....	1
9	80002245	CAP-CYL., AIR	1
10	13025104	ELBOW-3/8 TB, 1/4 M-NPT.....	1
11	14010808	1/4 X 1 UNC HEX CAP SCR (GR 5)	16
12	14850800	1/4 LOCK WASHER	16
13	800A0310	CAP-CYL., AIR	1
14	800A0311	PISTON-CYL., AIR.....	1

SUBASSEMBLY (SEE BELOW)
SUBASSEMBLY (SEE BELOW)

SPEC'ING

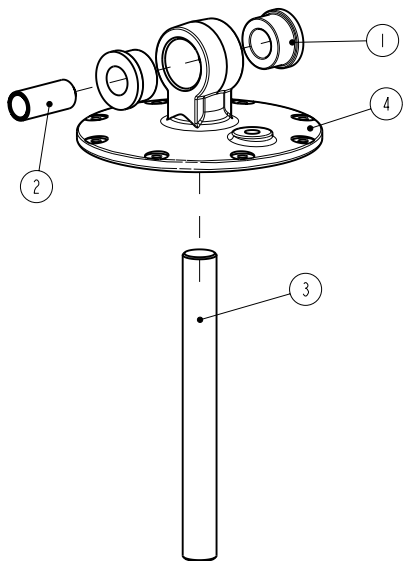
SELF-STEER
LIFTAXLES

NON-STEER
LIFTAXLES

OPTIONAL
EQUIPMENT

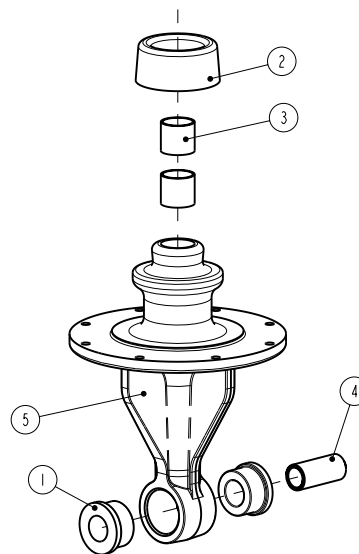
SERVICE
PARTS

LINK PART NUMBER: 800A0310



ITEM	PART NO	PART DESCRIPTION	QTY
1	15000846	BUSHING.....	2
2	80000835	TUBE-BUSHING.....	1
3	80002244	ROD-SUPPORT.....	1
4	80002245	CAP-CYL., AIR	1

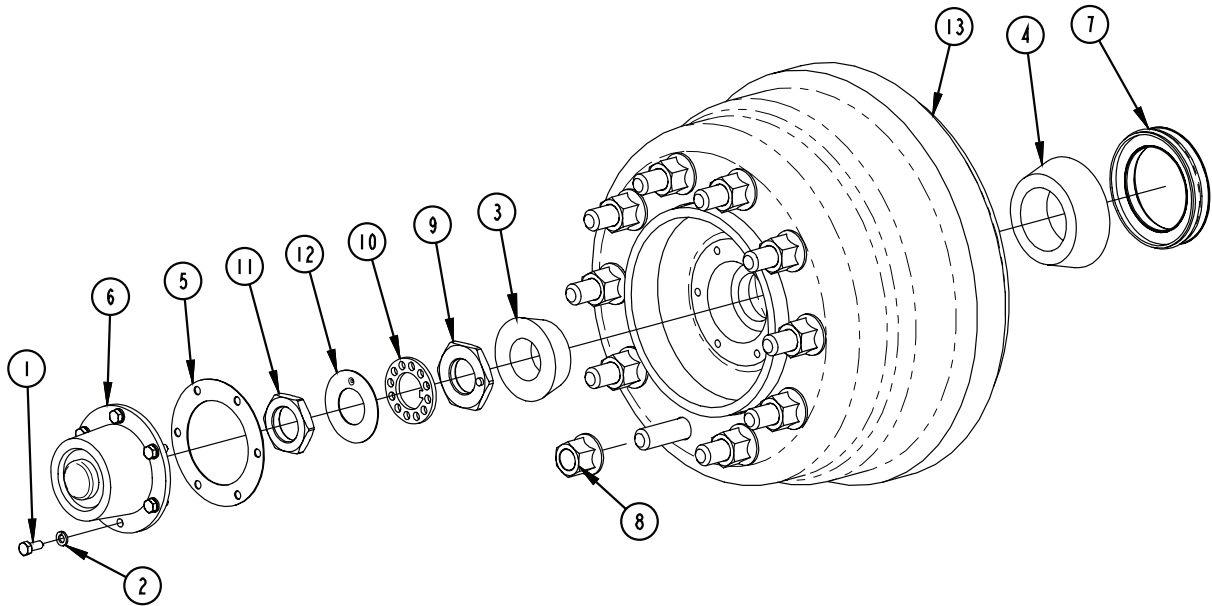
LINK PART NUMBER: 800A0311



ITEM	PART NO	PART DESCRIPTION	QTY
1	15000846	BUSHING.....	2
2	15000891	STOP-BUMPER, CYL.	1
3	15000932	BEARING-LINEAR.....	2
4	80000835	TUBE-BUSHING.....	1
5	80002243	PISTON-CYL., AIR.....	1

DURALIFT II 13.2K & SS-135 SELF-STEER

Hub and Drum - Current & Non-Current



ITEM	PART NO	PART DESCRIPTION	QTY
1	14011006	5/16 X 3/4 UNC HEX CAP SCR (GR 5)	6
2	14851000	5/16 LOCK WASHER	6
3	84001403	BEARING-ROLLER, CONE	1
4	84001404	BEARING-ROLLER, CONE	1
5	84001683	GASKET	1
6	84001684	CAP, HUB	1
7	84001687	SEAL-OIL	1
8	84001709	NUT-FLANGE, M22X1.5	10
9	84001721	NUT-INNER, JAM	1
10	84001722	WASHER-LOCK, SPINDLE	1
11	84001723	NUT-OUTER, JAM	1
12	84001724	WASHER-RETAINER	1
13	SEE NOTE 1	ASSEMBLY-HUB & DRUM, FN-15 X 4	1

LINK PART NUMBERS:

USED ON
8A000480
8A000467
8A000490
8A000712
8A000715
8A000723

IMPORTANT NOTES:

1) MULTIPLE OPTIONS EXIST - CALL FOR DETAILS

SPEC'ING

SELF-STEER
LIFTAXLES

NON-STEER
LIFTAXLES

OPTIONAL
EQUIPMENT

SERVICE
PARTS

DURALIFT II 8K SELF-STEER

Hub and Drums - Current & Non-Current

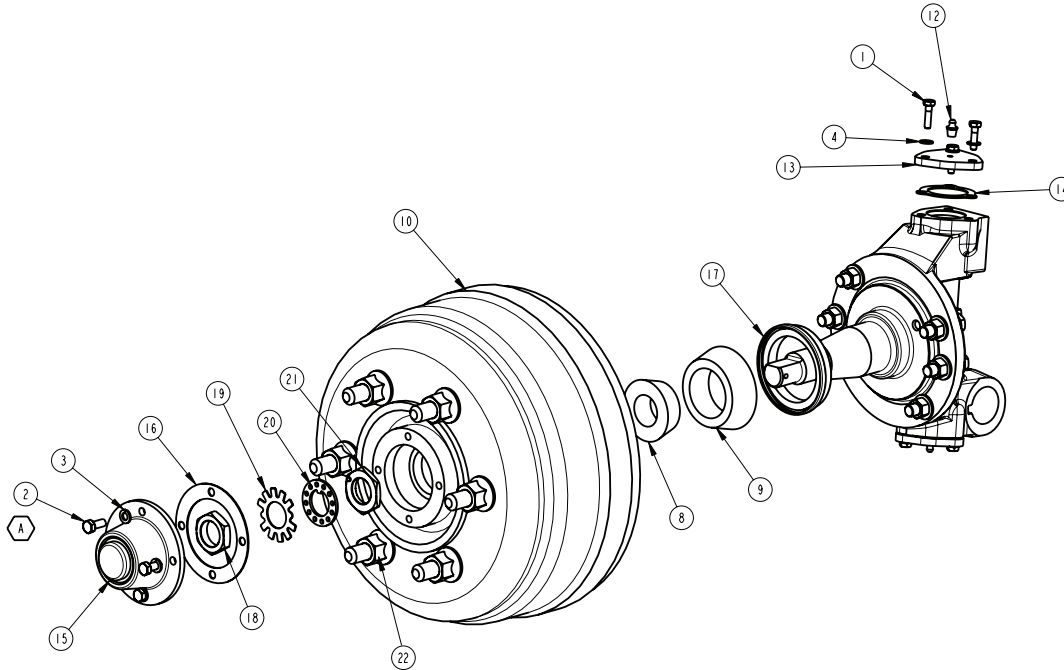
SPEC'ING

SELF-STEER
LIFTAXLES

NON-STEER
LIFTAXLES

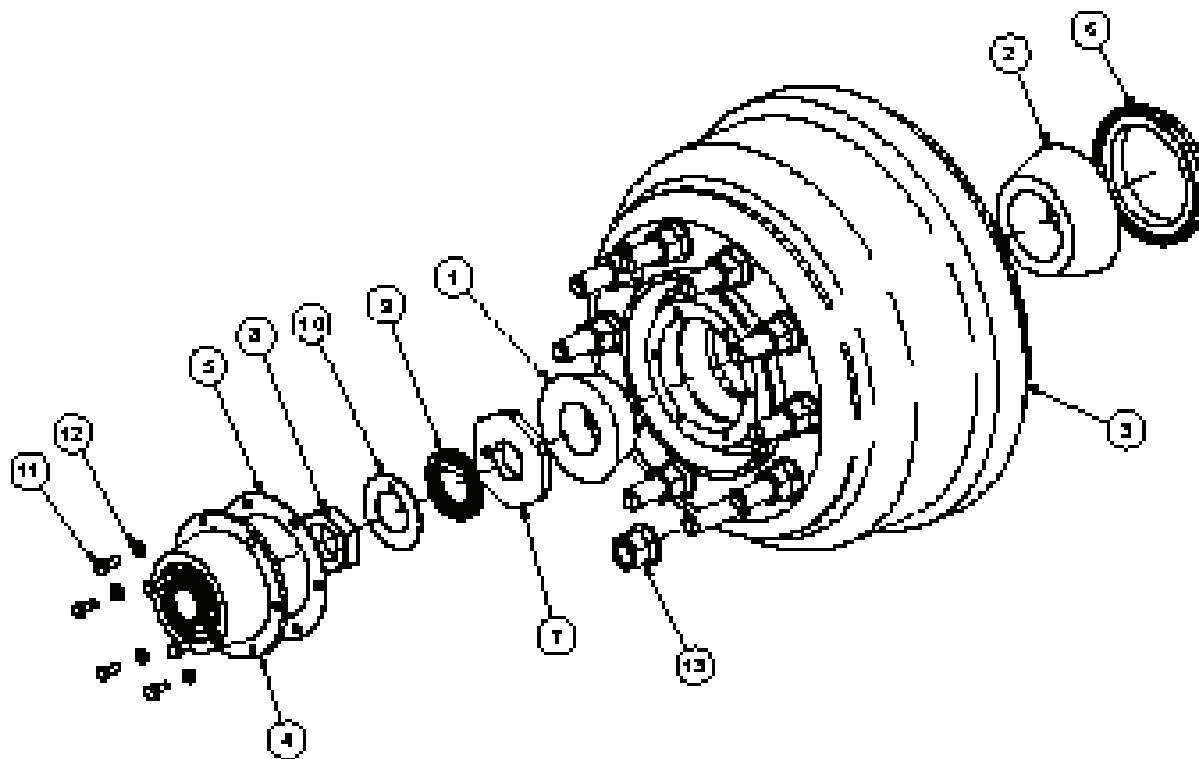
OPTIONAL
EQUIPMENT

SERVICE
PARTS



IMPORTANT NOTES:
1. HUBS AND DRUMS ARE USED ON BOTH THE CURRENT AND NON-CURRENT DURALIFT II 8K AXLE

ITEM	PART NO	PART DESCRIPTION	QTY
1	14010808	1/4 X 1 UNC HEX CAP SCR (GR 5)	6
2	14011006	5/16 X 3/4 UNC HEX CAP SCR (GR 5)	4
3	14851004	5/16 LOCK WASHER OIL&PHOS	4
4	14870600	3/16 TYPE A PLAIN WASHER	6
5	83000097	ARM-STEERING, 8K	1
6	83000098	ARM-STEERING, 8K	1
7	84001234	ASSEMBLY-KNUCKLE, 8K (RIGHT)	1
8	84001406	BEARING-ROLLER, CONE	1
9	84001407	BEARING-ROLLER, CONE	1
10	84001508	HUB & DRUM-FN, 12.8X4	1
11	84001612	BRAKE ASSY-L	1
12	84001901	FITTING-GREASE	2
13	84001991	CAP-KNUCKLE	2
14	84001922	GASKET-CAP, KING PIN	2
15	84002001	CAP, HUB	1
16	84002002	GASKET-CAP, HUB	1
17	84002003	SEAL-OIL	1
18	84002004	1.125 UNF HEX JAM NUT	1
19	84002005	WASHER-STAR	1
20	84002006	WASHER-LOCK	1
21	84002007	1.125 UHF HEX BEARING NUT	1
22	84001730	M18 X 1.5 HEX FLANGE NUT	6



ITEM	PART NO	PART DESCRIPTION	QTY
1	84001416	BEARING-ROLLER, CONE.....	1
2	84001417	BEARING-ROLLER, CONE.....	1
3	84001540	ASSEMBLY-HUB & DRUM, FN MNT.....	2
4	84001671	CAP, HUB.....	1
5	84001673	GASKET.....	1
6	84001743	SEAL-OIL.....	1
7	84001745	NUT-SPINDLE, INNER.....	1
8	84001746	NUT-SPINDLE, OUTER.....	1
9	84001747	RING-LOCK.....	1
10	84001748	WASHER-RETAINER.....	1
11	1401-1006	5/16 X 3/4 UNC HEX CAP SCR (GR 5).....	6
12	1485-1000	5/16 LOCK WASHER.....	6
13	84001709	NUT-FLANGE, M22X1.5.....	10

LINK PART NUMBERS:

USED ON
8A000680
8A000684
8A000728

SPEC'ING

SELF-STEER
LIFTAXLES

NON-STEER
LIFTAXLES

OPTIONAL
EQUIPMENT

SERVICE
PARTS

DURAMAX 13.2K OUTBOARD DROP AXLE

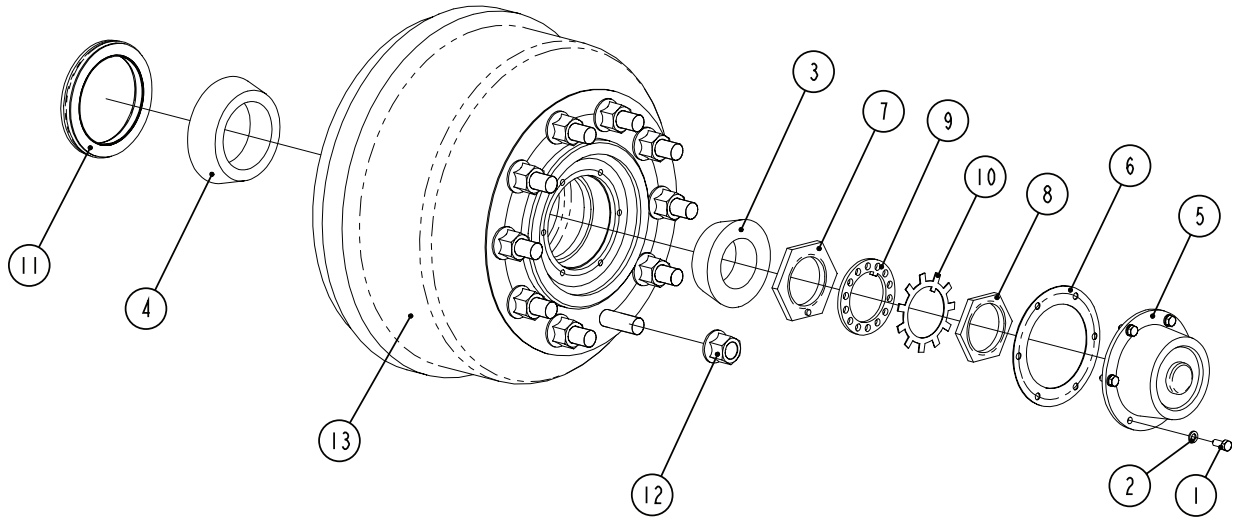
Link Part Number: 840A0148 Hub and Drums

SPEC'ING

SELF-STEER
LIFTAXLES

NON-STEER
LIFTAXLES

OPTIONAL
EQUIPMENT

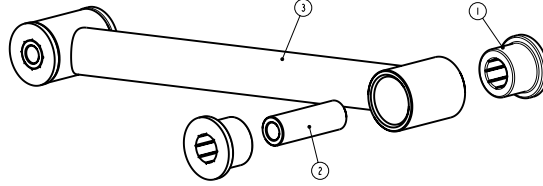


ITEM	PART NO	PART DESCRIPTION	QTY
1	14011006	5/16 X 3/4 UNC HEX CAP SCR (GR 5)	6
2	14851000	5/16 LOCK WASHER	6
3	84001404	BEARING-ROLLER, CONE	1
4	84001405	BEARING-ROLLER, CONE	1
5	84001671	CAP, HUB	1
6	84001673	GASKET	1
7	84001674	NUT-SPINDLE, INNER	1
8	84001675	NUT-SPINDLE, OUTER	1
9	84001676	WASHER-LOCK	1
10	84001677	WASHER-STAR	1
11	84001679	SEAL-OIL	1
12	84001709	NUT-FLANGE, M22X1.5	10
13	84002027	HUB & DRUM-FN MNT, 16.5X7	1

SERVICE
PARTS

CONNECTING ARM KITS

LINK PART NUMBER: 820A0033



USED ON 8A000490, 8A000499, 8A000711, 8A000712, 8A000715, 8A000716 & 8A000726

ITEM	PART NO	PART DESCRIPTION	QTY
1	15000890	BUSHING.....	4
2	80001210	TUBE-BUSHING.....	2
3	820A0036	ARM-CONNECTING.....	1

SPEC'ING

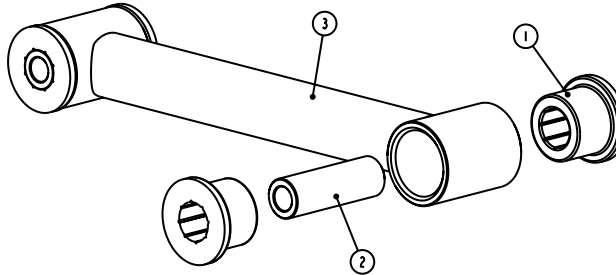
SELF-STEER
LIFTAXLES

NON-STEER
LIFTAXLES

OPTIONAL
EQUIPMENT

SERVICE
PARTS

LINK PART NUMBER: 820A0084



USED ON 8A000715, 8A000716, 8A000723 & 8A000726

ITEM	PART NO	PART DESCRIPTION	QTY
1	15000890	BUSHING.....	4
2	80001210	TUBE-BUSHING.....	2
3	820A0083	ARM-CONNECTING.....	1

CONNECTING ARM KITS

SPEC'ING

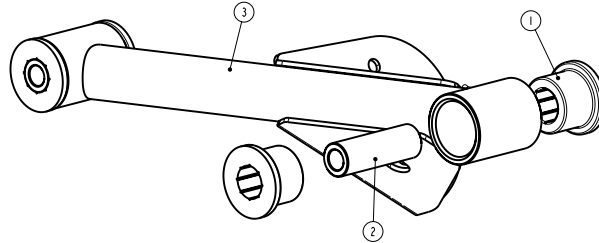
SELF-STEER
LIFTAXLES

NON-STEER
LIFTAXLES

OPTIONAL
EQUIPMENT

SERVICE
PARTS

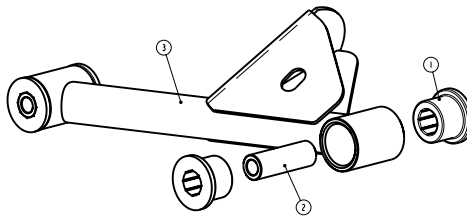
LINK PART NUMBER: 820A0100



USED ON SS-135 - 13.5K (8A000723)

ITEM	PART NO	PART DESCRIPTION	QTY
1	15000890	BUSHING.....	4
2	80001210	TUBE-BUSHING.....	2
3	820A0044	ARM-CONNECTING, ANGLED LH.....	1

LINK PART NUMBER: 820A0101

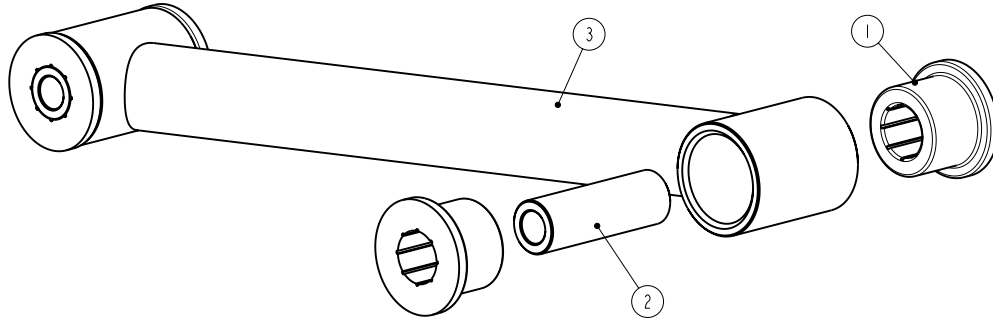


USED ON SS-135 - 13.5K (8A000723)

ITEM	PART NO	PART DESCRIPTION	QTY
1	15000890	BUSHING.....	4
2	80001210	TUBE-BUSHING.....	2
3	820A0045	ARM-CONNECTING, ANGLED RH.....	1

CONNECTING ARM KITS

Link Part Number: 820A0034



USED ON DURALIFT II 20K (8A000680, 8A000684 & 8A000728)

ITEM	PART NO	PART DESCRIPTION	QTY
1	15000890	BUSHING.....	4
2	80001210	TUBE-BUSHING.....	2
3	820A0035	ARM-CONNECTING.....	1

SPEC'ING

SELF-STEER
LIFT AXLES

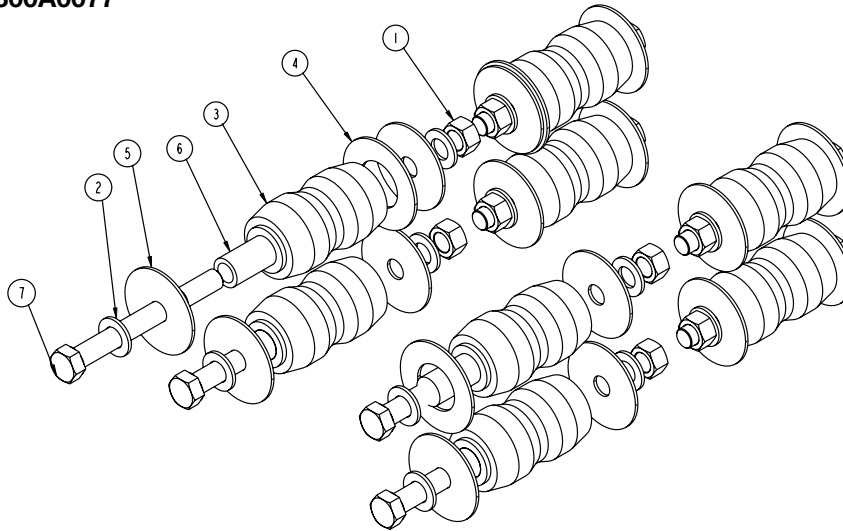
NON-STEER
LIFT AXLES

OPTIONAL
EQUIPMENT

SERVICE
PARTS

BUSHING KITS

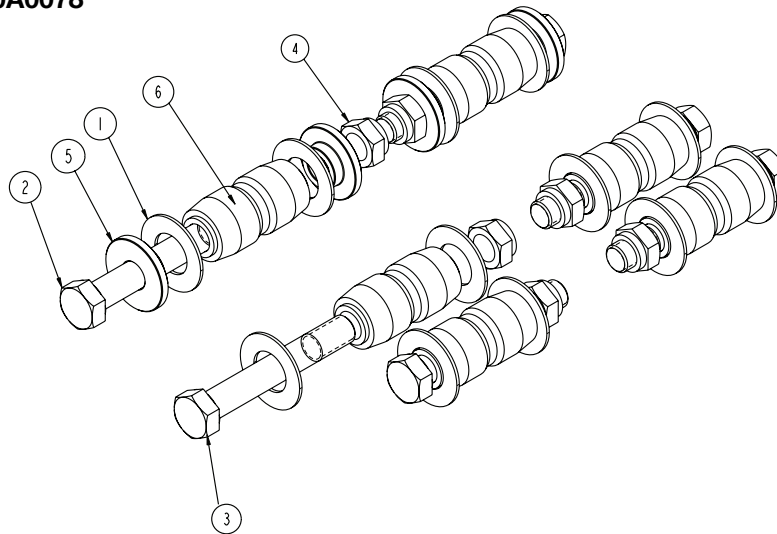
Link Part Number: 800A0077



USED ON MODEL 9000 & DURALIFT 8A000467

ITEM	PART NO	PART DESCRIPTION	QTY
1	14772406	3/4 UNF HEX TOP LOCK NUT (GR C) O&P	8
2	14882402	3/4 SAE HARDENED WASHER	16
3	15000870	BUSHING-PIVOT, RUBBER	8
4	80000130	WASHER-WEAR.....	4
5	80000131	WASHER-WEAR.....	14
6	80000135	SPACER-TUBE.....	8
7	140D2456	3/4 X 7 UNF HEX CAP SCR (GR 8) O&P	8

Link Part Number: 800A0078



USED ON - EARLY 5000 - PRIOR TO JULIAN DAY CODE 00264001

ITEM	PART NO	PART DESCRIPTION	QTY
1	14910002	THRUST WASHER	12
2	15060021	1 1/8 X 8 UNF HEX CAP SCR, (GR 8).....	2
3	15060022	1 1/8 X 7 1/2 UNF HEX CAP SCR, GR 8	4
4	15060023	1 1/8 UNF HEX TOP LOCK NUT, COLLAR STYLE	6
5	81000128	COLLAR, ALIGNMENT, STEEL	4
6	84001001	BUSHING-PIVOT, RUBBER	6

SPEC'ING

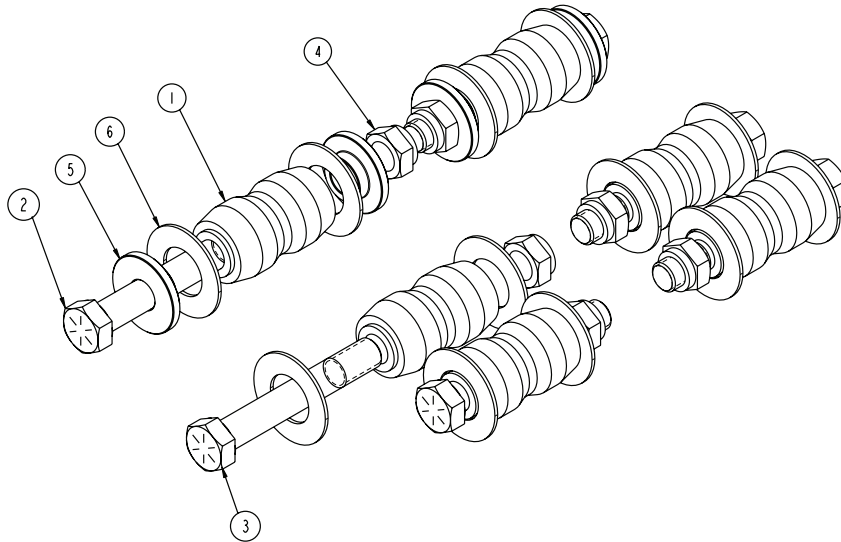
SELF-STEER
LIFT AXLES

NON-STEER
LIFT AXLES

OPTIONAL
EQUIPMENT

SERVICE
PARTS

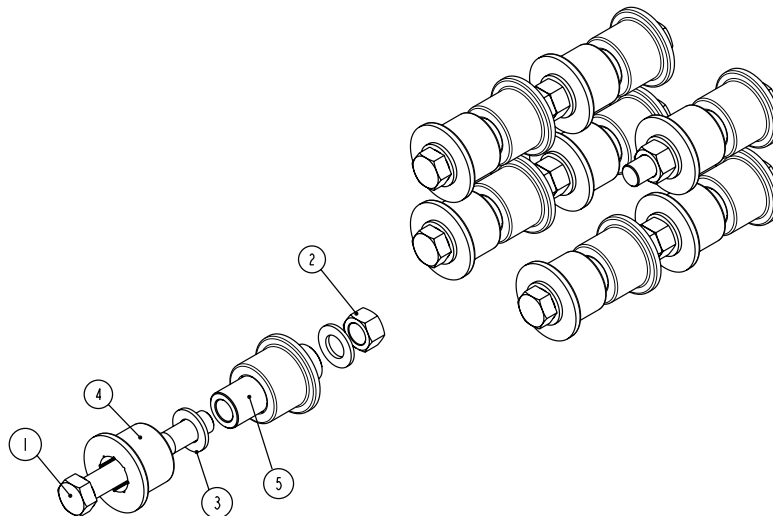
Link Part Number: 800A0079



DURAMAX & 5000 - AFTER JULIAN DAYCODE 00264001

ITEM	PART NO	PART DESCRIPTION	QTY
1	15000870	BUSHING-PIVOT, RUBBER	6
2	15060021	1 1/8 X 8 UNF HEX CAP SCR, (GR 8).....	2
3	15060022	1 1/8 X 7 1/2 UNF HEX CAP SCR, (GR 8)	4
4	15060023	1 1/8 UNF HEX TOP LOCK NUT, COLLAR STYLE	6
5	81000128	COLLAR,, ALIGNMENT, STEEL.....	4
6	80000087	THRUST WASHER.....	12

Link Part Number: 800A0133



USED ON - DURALIFT II, 8K, & 13.2K, SS-135 13.5K, & DURALIFT II 20K

ITEM	PART NO	PART DESCRIPTION	QTY
1	140D2446	3/4 X 5 1/2 UNF HEX CAP SCR (GR 8) O&P	8
2	14772406	3/4 UNF HEX TOP LOCK NUT (GR C) O&P	8
3	14882402	3/4 SAE HARDENED WASHER	16
4	15000890	BUSHING	16
5	80001210	TUBE-BUSHING.....	8

SPEC'ING

SELF-STEER
LIFT AXLES

NON-STEER
LIFT AXLES

OPTIONAL
EQUIPMENT

SERVICE
PARTS

KING PIN KIT

Link Part Number: 84001790 DuraLift II 20K

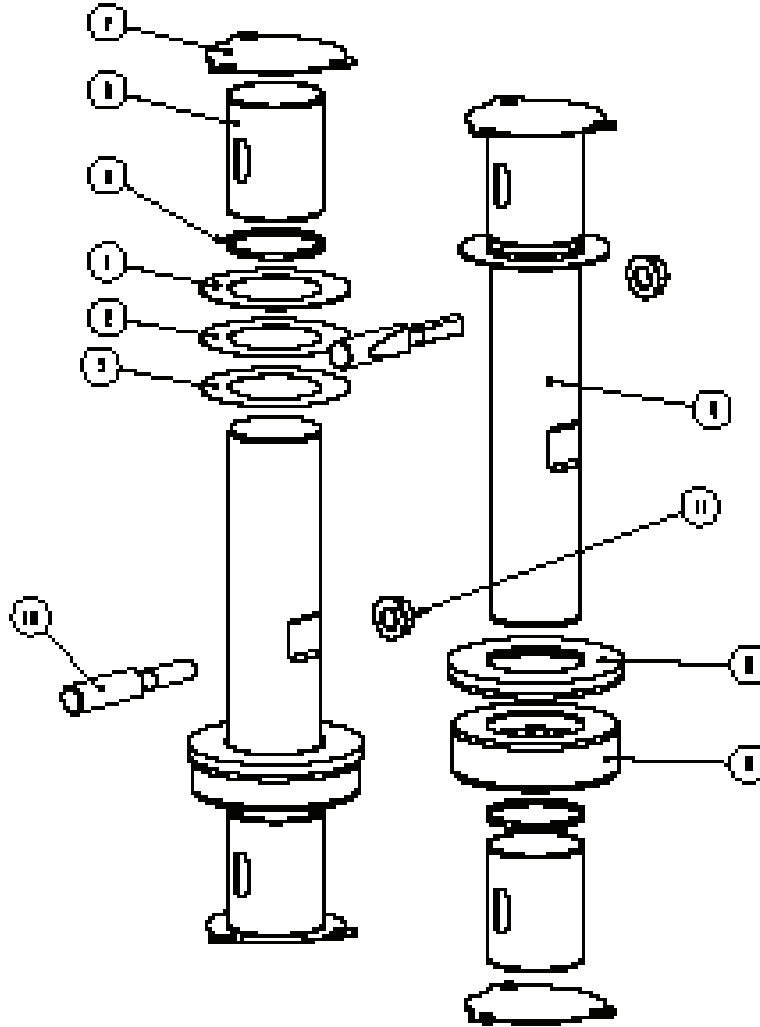
SPEC'ING

SELF-STEER
LIFTAXLES

NON-STEER
LIFTAXLES

OPTIONAL
EQUIPMENT

SERVICE
PARTS



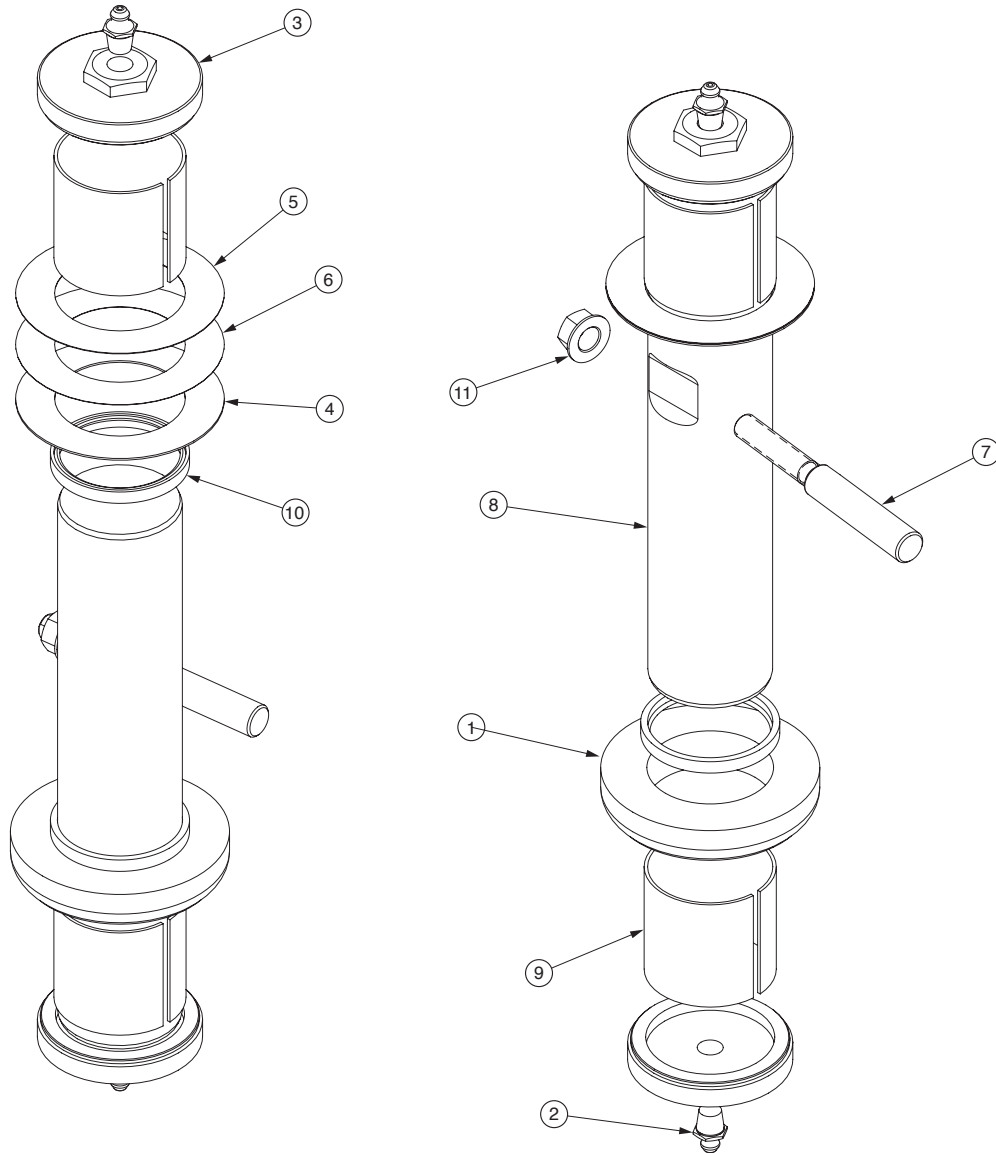
USED ON SUSPENSION 8A000728

ITEM	PART NUMBER	DESCRIPTION	QTY
1	84001749	SHIM (.030).....	2
2	84001750	SHIM (.015).....	2
3	84001752	SHIM (.005).....	2
4	84001760	PIN-KING.....	2
5	84001765	SEAL-KNUCKLE.....	4
6	84001780	BUSHING-20K KNUCKLE.....	4
7	84001783	GASKET-KING PIN CAP, 20K.....	4
8	84001788	THRUST BEARING-KNUCKLE, 20K.....	2
9	84001789	RETAINER-THRUST BEARING, 20K.....	2
10	84001928	PIN-DRAW, LOCKING.....	2
11	1480-1404	7/16 UNC TOP LOCK FL NUT (GR G) O&P.....	2

KING PIN KIT

Link Part Number: 84001931 (13.2K) & 84001930 (12K)

Duralift & Model 9000 - 13.2K & 12K



USED ON SUSPENSIONS 8A000481, 8A000482, 8A000483, 8A000484, 8A000467 (84001931 KIT)
USED ON SUSPENSIONS 8A000081, 8A000082, 8A000083, (84001930 KIT)

ITEM	LINK PART #	PART DESCRIPTION	QTY
1	84001432	BEARING-THRUST (13.2K KING PIN KIT ONLY, 5/8" THICK).....	2
1	84001431	BEARING-THRUST (12K KING PIN KIT ONLY, 15/16" THICK).....	2
2	84001901	FITTING-GREASE	4
3	84001902	CAP-KNUCKLE	4
4	84001903	SHIM (.030).....	2
5	84001904	SHIM (.010).....	3
6	84001905	SHIM (.005).....	1
7	84001906	PIN-DRAW, LOCKING.....	2
8	84001907	PIN-KING, DANA.....	2
9	84001910	BUSHING-KNUCKLE.....	4
10	84001911	SEAL-KNUCKLE	4
11	14801204	3/8 UNC TOP LOCK FL NUT, OIL&PHOS.....	2

SPEC'ING

SELF-STEER
LIFT AXLES

NON-STEER
LIFT AXLES

OPTIONAL
EQUIPMENT

SERVICE
PARTS

KING PIN KIT

Link Part Number: 84001932 DuraLift II 13.2K

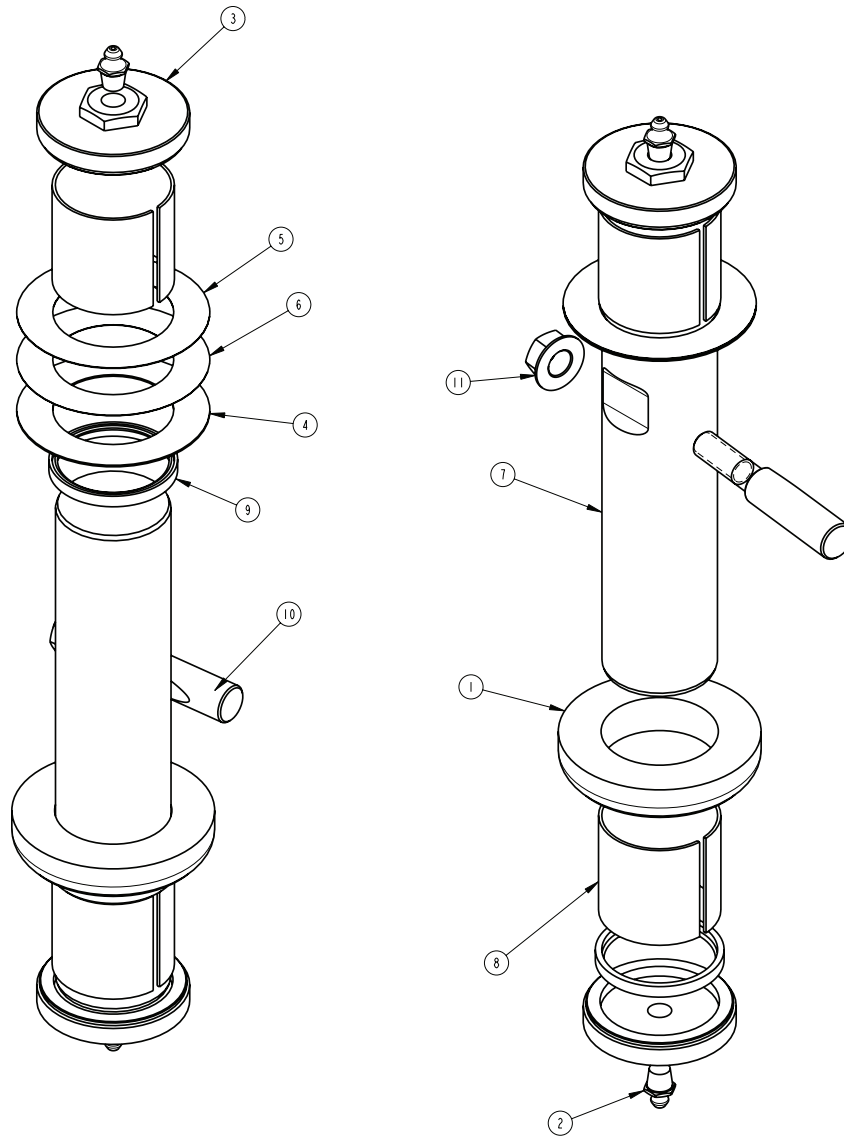
SPEC'ING

SELF-STEER
LIFT AXLES

NON-STEER
LIFT AXLES

OPTIONAL
EQUIPMENT

SERVICE
PARTS

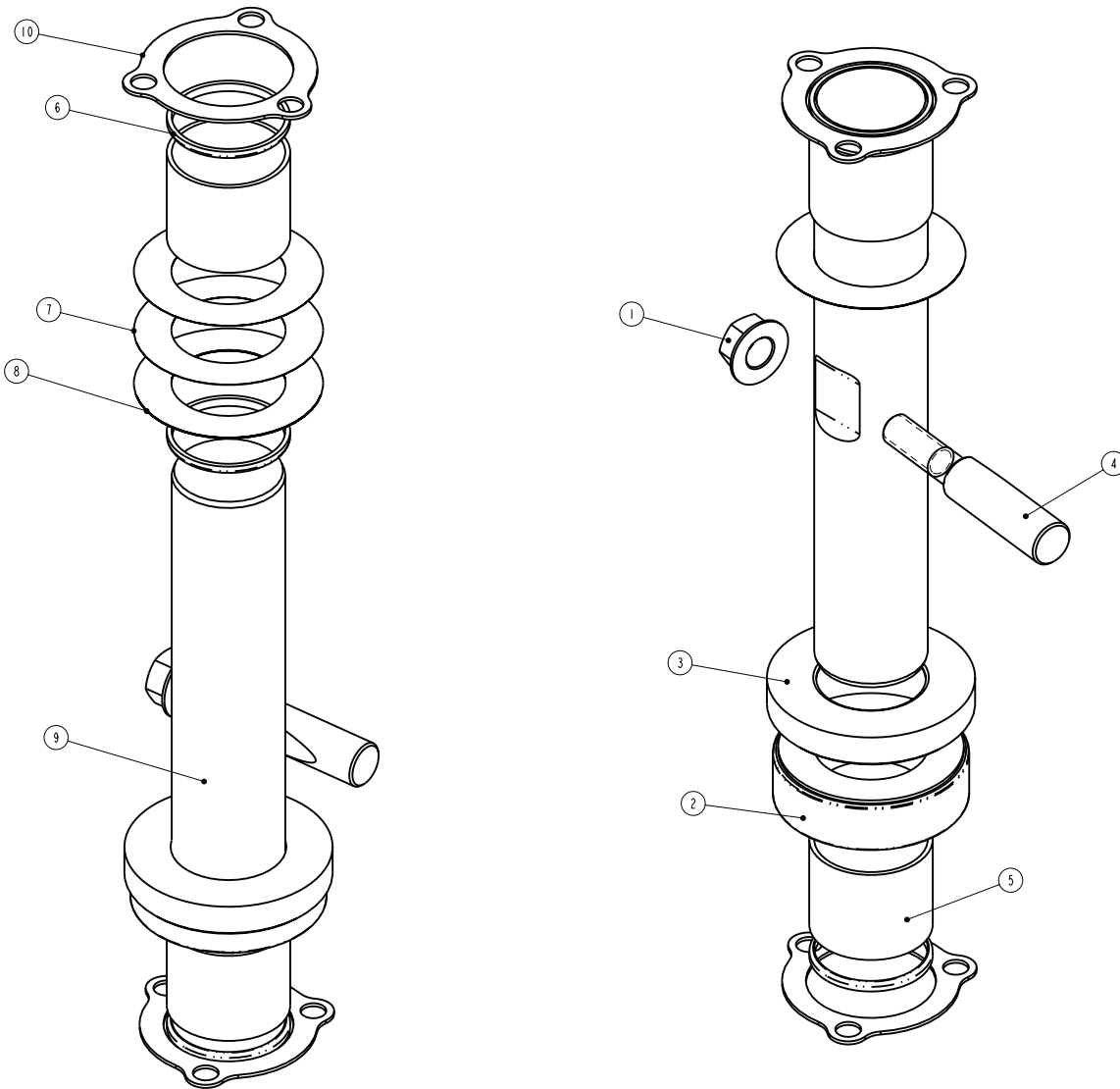


USED ON 8A000490 SUSPENSION WITH AN 830A0009 AXLE ASSEMBLY

ITEM	LINK PART #	PART DESCRIPTION	QTY
1	84001432	BEARING-THRUST	2
2	84001901	FITTING-GREASE	4
3	84001902	CAP-KNUCKLE.....	4
4	84001903	SHIM (.30).....	2
5	84001904	SHIM (.010).....	3
6	84001905	SHIM (.005).....	1
7	84001907	PIN-KING, DANA.....	2
8	84001910	BUSHING-KNUCKLE.....	4
9	84001911	SEAL-KNUCKLE	4
10	84001928	PIN-DRAW, LOCKING.....	2
11	14801404	7/16 UNC, TOP LOCK FL NUT (GR G) O&P	2

KING PIN KIT

Link Part Number: 84001933 DuraLift II 8K



USED ON 8A000499, 8A000711, & 8A000716 SUSPENSIONS

ITEM	LINK PART #	PART DESCRIPTION	QTY
1	14801404	7/16 UNC TOP LOCK FL NUT (GR G) O&P	2
2	84001433	BEARING-THRUST	2
3	84001436	CAP-BEARING	2
4	84001928	PIN-DRAW, LOCKING.....	2
5	84001986	BUSHING-KNUCKLE.....	4
6	84001987	SEAL-KNUCKLE	4
7	84001988	SHIM (.005).....	8
8	84001989	SHIM (.010).....	8
9	84001990	PIN-KING, 8K	2
10	84001992	GASKET-CAP, KING PIN	4

SPEC'ING

SELF-STEER
LIFT AXLES

NON-STEER
LIFT AXLES

OPTIONAL
EQUIPMENT

SERVICE
PARTS

KING PIN KIT

Link Part Number: 84001934 DuraLift II 13.2K

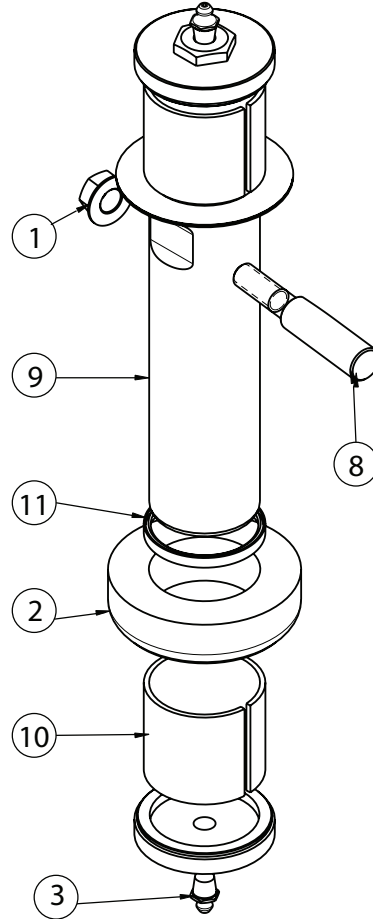
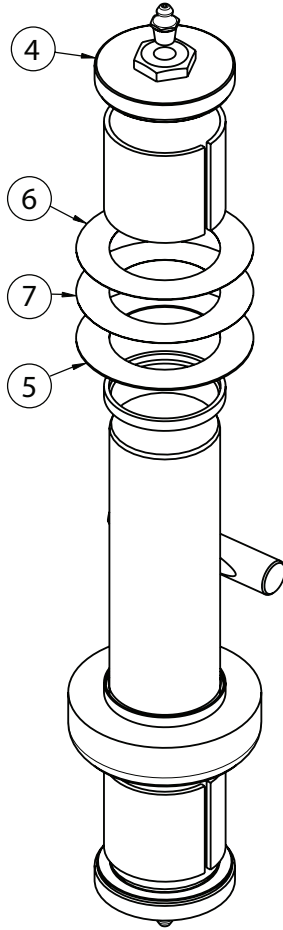
SPEC'ING

SELF-STEER
LIFT AXLES

NON-STEER
LIFT AXLES

OPTIONAL
EQUIPMENT

SERVICE
PARTS

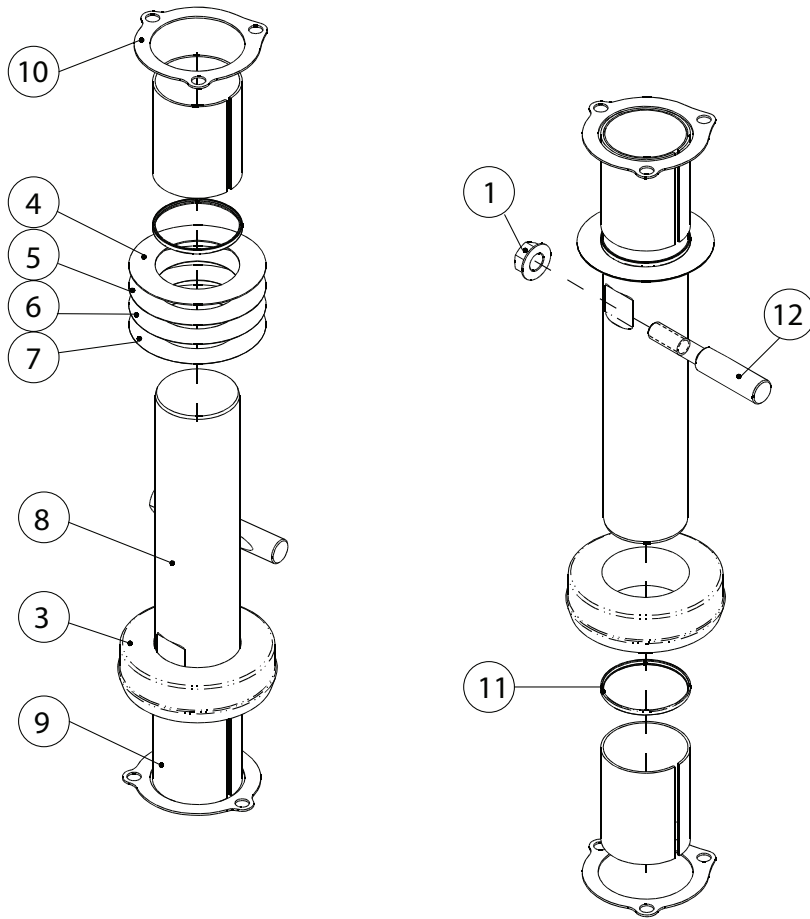


USED ON 8A000490 (WITH AN 830A0016 AXLE ASSEMBLY) 8A000712 & 8A000715 SUSPENSIONS

ITEM	LINK PART #	PART DESCRIPTION	QTY
1	14801404	7/16 UNC TOP LOCK FL NUT (GR G) O&P	2
2	84001435	BEARING THRUST	2
3	84001901	FITTING-GREASE	4
4	84001902	CAP-KNUCKLE	4
5	84001903	SHIM (.030)	2
6	84001904	SHIM (.010)	3
7	84001905	SHIM (.005)	1
8	84001928	PIN-DRAW, LOCKING	2
9	84002020	PIN-KING, DANA	2
10	84002021	BUSHING-KNUCKLE	4
11	84002022	SEAL-KNUCKLE	4

KING PIN KIT

Link Part Number: 84001768 DuraLift II 20K



USED ON 8A000680 & 8A000684 SUSPENSIONS

ITEM	LINK PART #	PART DESCRIPTION	QTY
1	14801404	7/16 UNC TOP LOCK FL NUT (GR G) O&P	2
2	15001184	BOX (14.00 X 6.00 X 6.00).....	1
3	84001436	BEARING-THRUST	2
4	84001749	SHIM (.030).....	2
5	84001750	SHIM (.015).....	2
6	84001751	SHIM (.010).....	2
7	84001752	SHIM (.005).....	2
8	84001760	PIN-KING.....	2
9	84001761	BUSHING-KNUCKLE.....	4
10	84001763	GASKET-CAP, KING PIN	4
11	84001765	SEAL-KNUCKLE	4
12	84001928	PIN-DRAW, LOCKING.....	2

SPEC'ING

SELF-STEER
LIFT AXLES

NON-STEER
LIFT AXLES

OPTIONAL
EQUIPMENT

SERVICE
PARTS

KING PIN KIT

Link Part Number: 84001997 King Pin DuraLift 8K

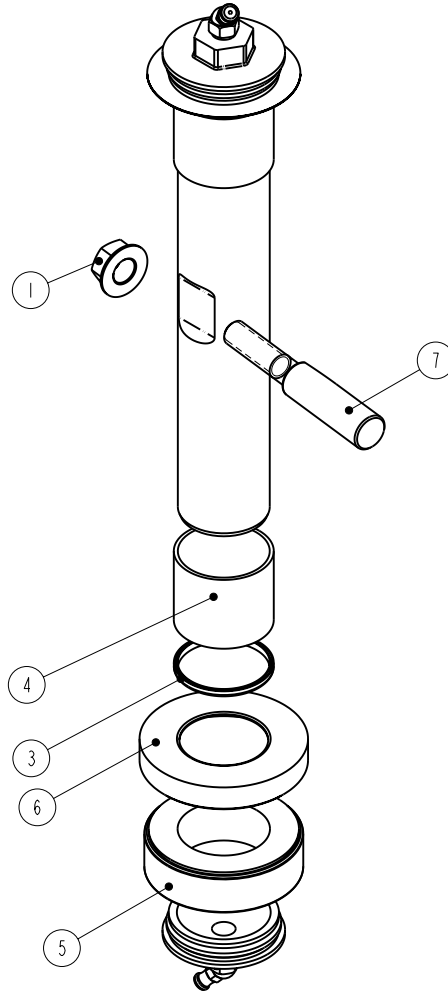
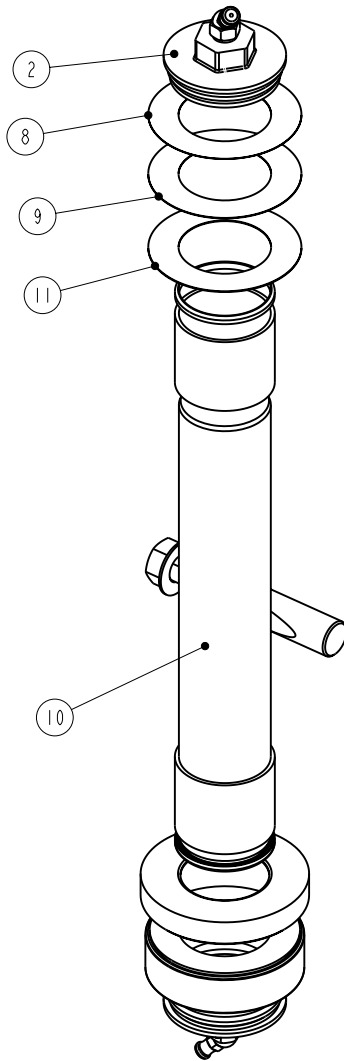
SPEC'ING

SELF-STEER
LIFTAXLES

NON-STEER
LIFTAXLES

OPTIONAL
EQUIPMENT

SERVICE
PARTS

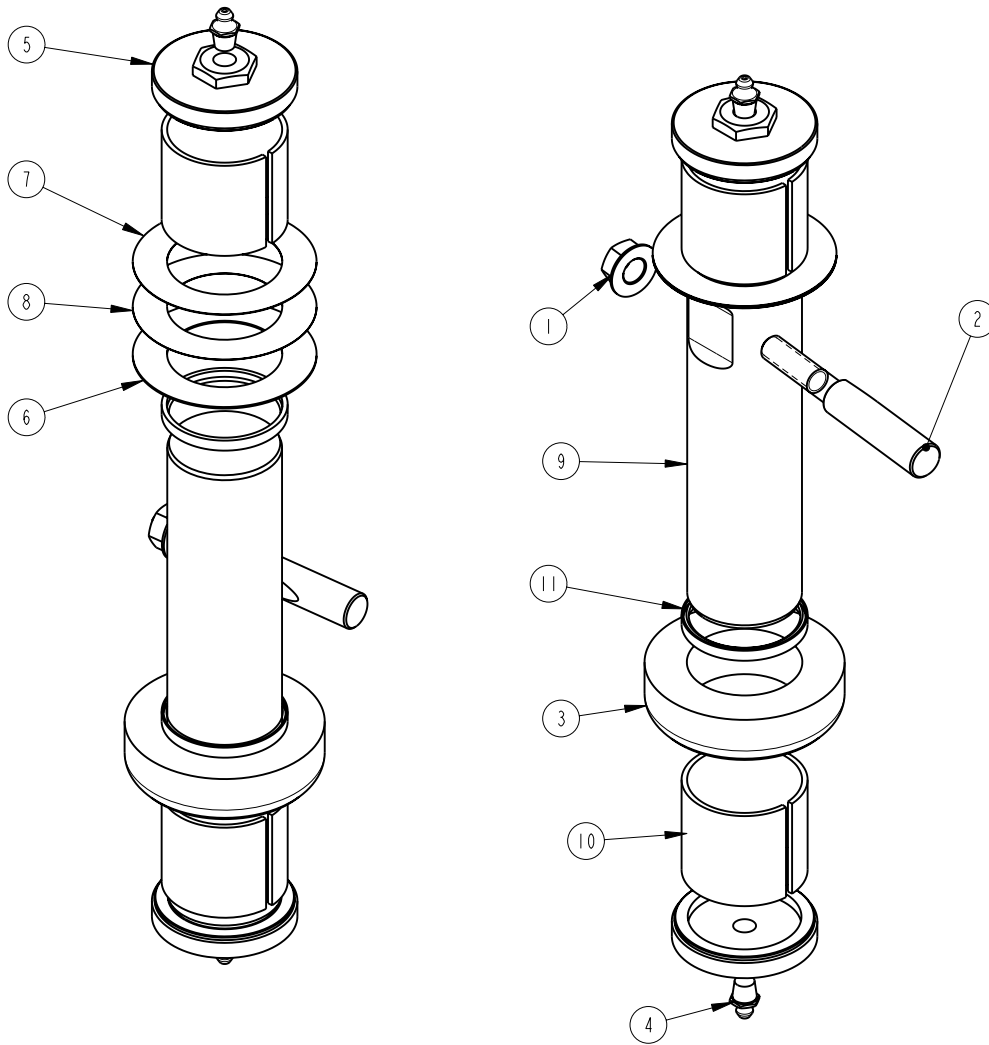


USED ON 8A000726 SUSPENSION

ITEM	LINK PART #	PART DESCRIPTION	QTY
1	14801404	7/16 UNC TOP LOCK FL NUT (GR G) O&P	2
2	84001052	CAP-KING PIN, 8K	4
3	84001236	SEAL-KNUCKLE	4
4	84001237	BUSHING-KNUCKLE	4
5	84001433	BEARING-THRUST	2
6	84001434	CAP-BEARING	2
7	84001928	PIN-DRAW, LOCKING	2
8	84001988	SHIM (.005)	2
9	84001989	SHIM (.010)	2
10	84001990	PIN-KING, 8K	2
11	84002013	SHIM (.015)	2

KING PIN KIT

Link Part Number: 84001998 DuraLift II 13.5k - Use with Axle 830A0312



USED ON 8A000723 SUSPENSION

ITEM	LINK PART #	PART DESCRIPTION	QTY
1	14801404	7/16 UNC TOP LOCK FL NUT (GR G) O&P	2
2	83000241	PIN-DRAW, LOCKING.....	2
3	84001435	BEARING-THRUST	2
4	84001901	FITTING-GREASE	4
5	84001902	CAP-KNUCKLE.....	4
6	84001903	SHIM (.030).....	2
7	84001904	SHIM (.010).....	2
8	84001905	SHIM (.005).....	2
9	84002020	PIN-KING, 13K (1.88)	2
10	84002021	BUSHING-KNUCKLE.....	4
11	84002022	SEAL-KNUCKLE	4

SPEC'ING

SELF-STEER
LIFTAXLES

NON-STEER
LIFTAXLES

OPTIONAL
EQUIPMENT

SERVICE
PARTS

WIDE BODY SHOCK REPLACEMENT AND SPACER KIT

SPEC'ING

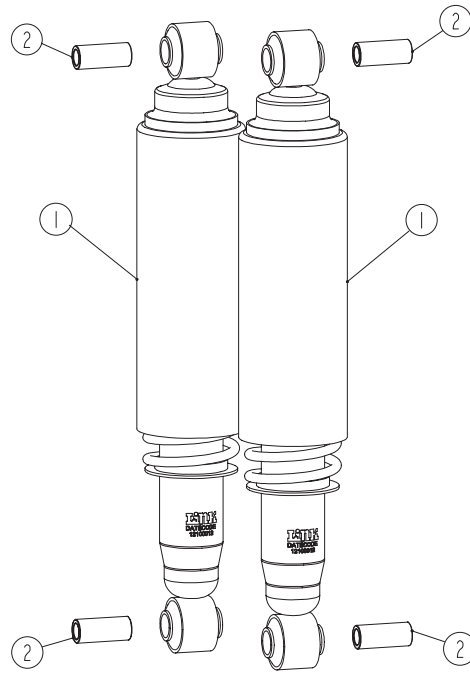
SELF-STEER
LIFT AXLES

NON-STEER
LIFT AXLES

OPTIONAL
EQUIPMENT

SERVICE
PARTS

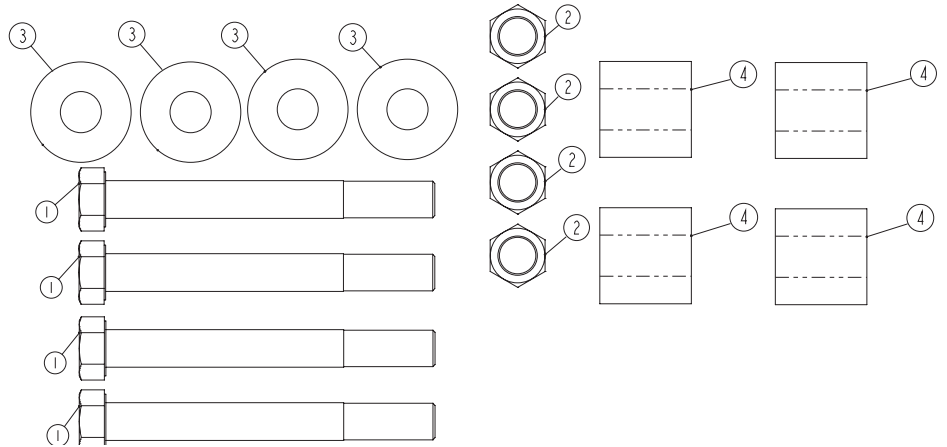
LINK PART NUMBER: 12100015



WIDE BODY SHOCK REPLACEMENT KIT

ITEM	LINK PART #	PART DESCRIPTION	QTY
1	12100012	SHOCK ABSORBER, WIDE BODY.....	2
2	80000009	BUSHING - SHOCK, ACETAL.....	4

LINK PART NUMBER: 12100016

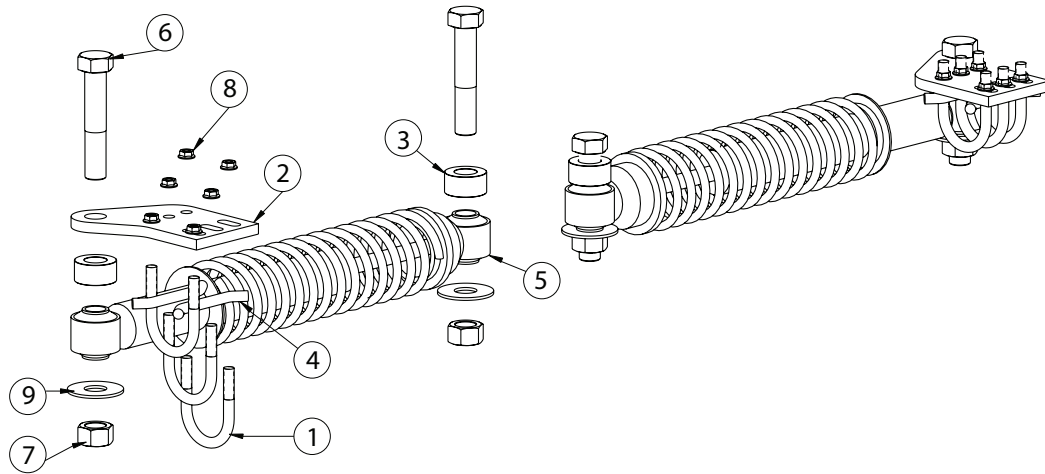


**WIDE BODY SHOCK SPACER KIT
REQUIRED WHEN REPLACING WIDE BODY SHOCKS ON 8A000490 & 8A000499**

ITEM	LINK PART #	PART DESCRIPTION	QTY
1	140D1636	1/2 X 4 1/2 UNF HEX CAP SCR (GR 8) O&P.....	4
2	14771606	1/2 UNF HEX TOP LOCK NUT (GR C) O&P.....	4
3	14871600	1/2 TYPE A PLAIN WASHER.....	4
4	80001919	SPACER-MOUNT, SHOCK.....	4

STEERING STABILIZER KIT

LINK PART NUMBER: 800A0020



ITEM	LINK PART #	PART DESCRIPTION	QTY
1	14950003	U-BOLT, .38-16 UNC, 1.75 X 2.75	6
2	80000002	BRACKET-STABILIZER	2
3	80000012	SPACER-STABILIZER	4
4	80000085	ROD-SUPPORT, STABILIZER.....	4
5	12100001	SHOCK ABSORBER	2
6	140B2432	3/4 X 4 UNC CAP SCR (GR 8) O&P.....	4
7	14762406	3/4 UNC HEX TOP LOCK NUT (GR C) O&P.....	4
8	14801204	3/8 UNC TOP LOCK FL NUT (GR G) O&P	12
9	14916401	3/4 USS PLAIN WASHER	4

SPEC'ING

SELF-STEER
LIFTAXLES

NON-STEER
LIFTAXLES

OPTIONAL
EQUIPMENT

SERVICE
PARTS

