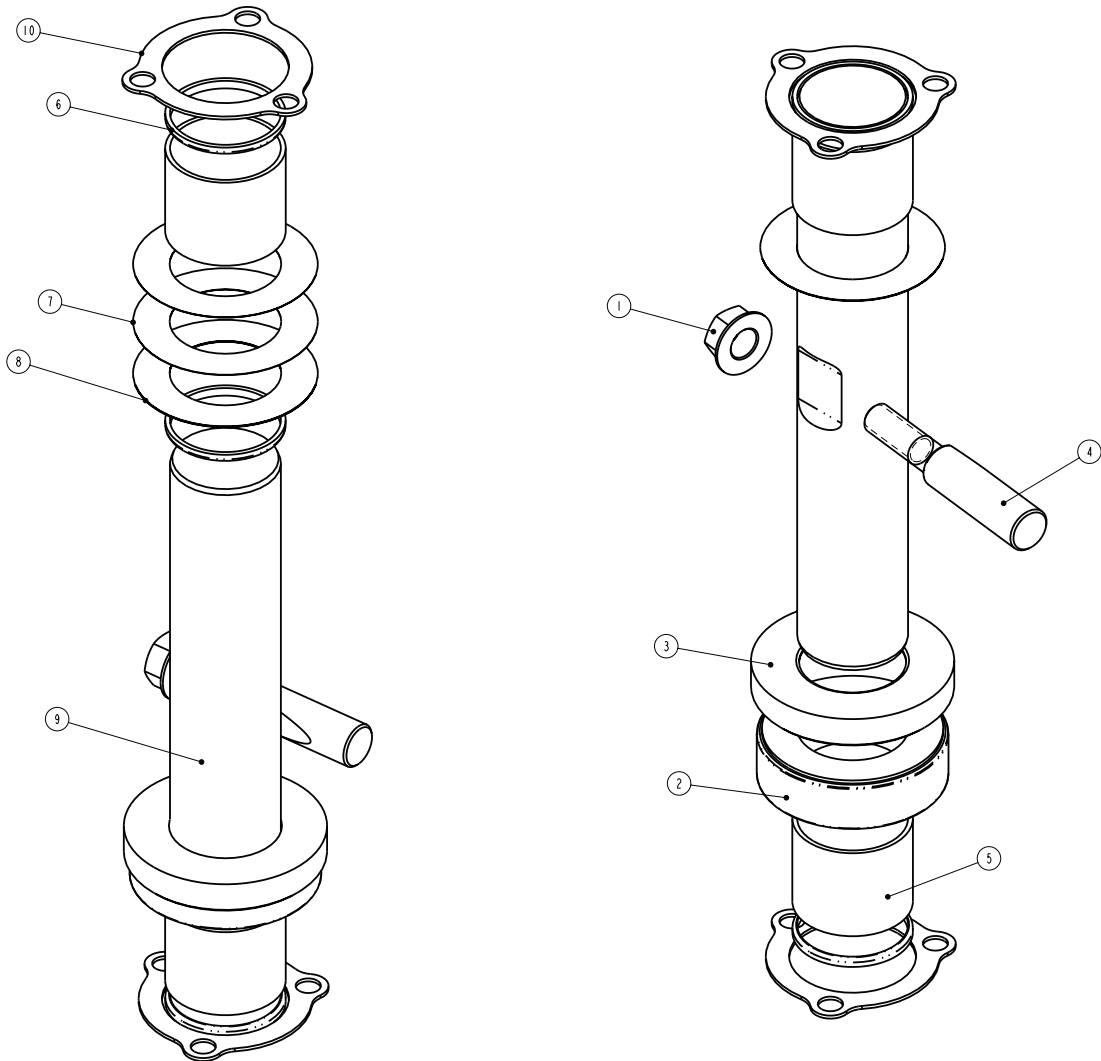


# KING PIN KIT

LINK PART NUMBER: 84001933

Fits - 8K DuraLift II 8A000499, 8A000711, & 8A000716



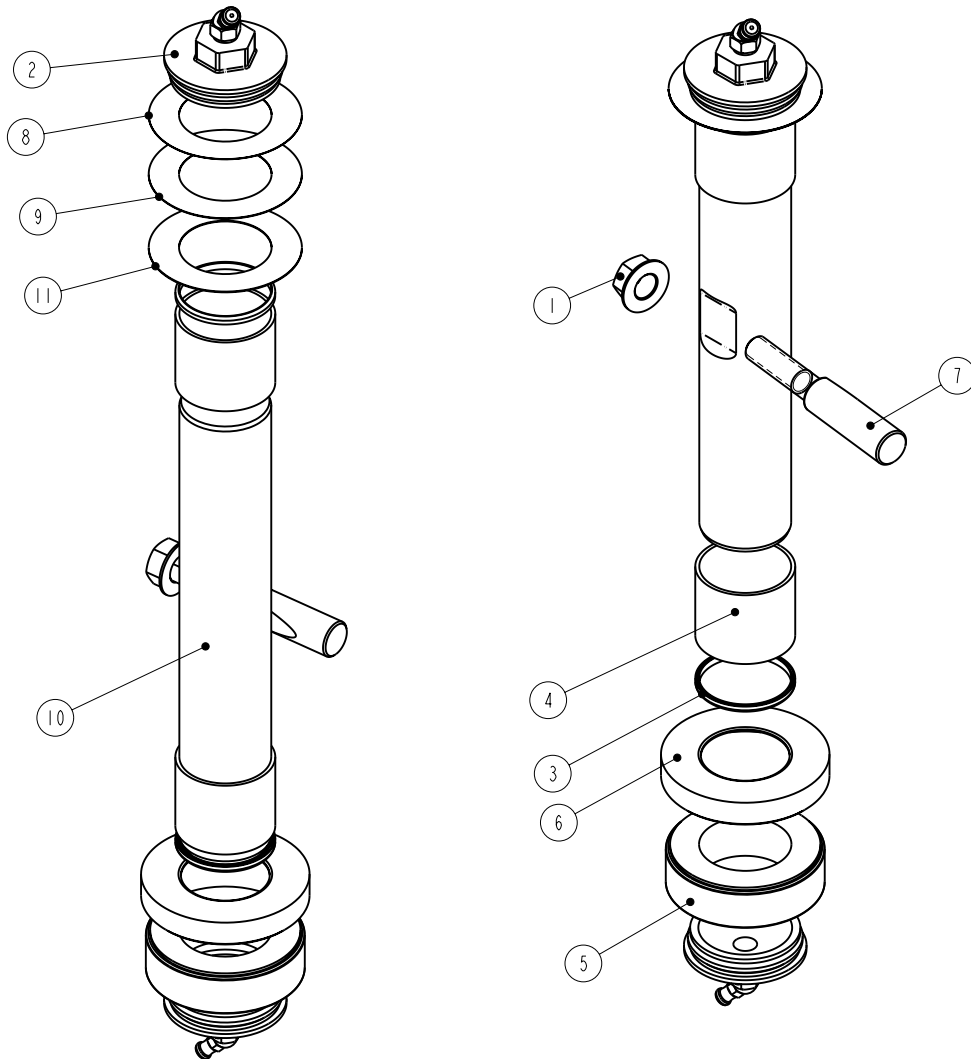
ITEM	PART NO	PART DESCRIPTION	QTY
1	14801404	7/16 UNC TOP LOCK FL NUT (GR G) O&P.....	2
2	84001433	BEARING-THRUST .....	2
3	84001436	CAP-BEARING .....	2
4	84001928	PIN-DRAW, LOCKING.....	2
5	84001986	BUSHING-KNUCKLE.....	4
6	84001987	SEAL-KNUCKLE.....	4
7	84001988	SHIM (.005) .....	8
8	84001989	SHIM (.010) .....	8
9	84001990	PIN-KING, 8K .....	2
10	84001992	GASKET-CAP, KING PIN .....	4



# KING PIN KIT

LINK PART NUMBER: 84001997

Fits - 8K DuraLift II 8A000726



ITEM	PART NO	PART DESCRIPTION	QTY
1	14801404	7/16 UNC TOP LOCK FL NUT (GR G) O&P.....	2
2	84001052	CAP-KING PIN, 8K.....	4
3	84001236	SEAL-KNUCKLE.....	4
4	84001237	BUSHING-KNUCKLE.....	4
5	84001433	BEARING-THRUST.....	2
6	84001434	CAP-BEARING.....	2
7	84001928	PIN-DRAW, LOCKING.....	2
8	84001988	SHIM (.005).....	2
9	84001989	SHIM (.010).....	2
10	84001990	PIN-KING, 8K.....	2
11	84002013	SHIM (.015).....	2

